



BALLSTON SEMI DIRECT PENDANT
INCANDESCENT
 RUSTIC SERIES

PROJECT: _____
 QUANTITY: _____ TYPE: _____



BL1317INC
 MW - Matte White



BL1317INC
 PT - Platinum Silver



BL1317INC
 RD - Red Baron



BL1317INC
 BZ - Bronze

SERIES	ACCESSORIES	MOUNTING ¹	FINISH ³	LAMP ⁵
BL1317INC	CGG Clear Glass Globe	SM Surface Mount CD ₂ Cord and Cable Mount CHN ₂ Chain/Cord HM ₂ Hang Straight AT ₂ Hang Straight All Thread PM ₂ Rigid Pendant Mount	MW ⁴ Matte White	NONE
	FGG Frosted Glass Globe		MB ⁴ Matte Black PT ⁴ Platinum Silver CC Custom Color	N None
			See Page 4 for Full Range of Color Options (83-90081)	FILAMENT LED
				BT15C _ Clear (40W/60W)
				ST19C _ Clear (60W)
				ST19A _ Amber (40W/60W)
				A19C _ Clear (40W/60W)
				A19A _ Amber (40W)
				A19M _ Mirror (60W)
				G25C _ Clear (40W/60W)
				G25A _ Amber (40W)
				G25M _ Mirror (40W)
				G40C _ Clear (40W/60W)

EXAMPLE: BL1317INCCGGHM36MW/G25C60W

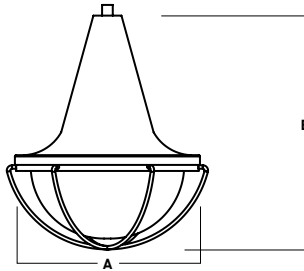
NOTES:
 1 See Mounting Pages Options and Details on Components and Finishes 2 Specify Length in Inches: See Mounting Page for Available Lengths
 3 See Color Page for More Options/Consult Factory for Special Finishes 4 Standard Finishes 5 See LED Lamp Page for More Details





BALLSTON SEMI DIRECT PENDANT
INCANDESCENT
 RUSTIC SERIES

HOUSING DIMENSIONS



A	B
13.2	16.7
335.3 mm	424.2 mm

APPLICATION

Ballston Pendant for general decorative illumination.

FEATURES

Heavy gauge spun aluminum shade with formed glass diffuser and steel wireguard. General illumination from incandescent or LED A-lamp medium E26 base lamps. Wide range of options for mounting and finishes.

FINISH

Multi-stage polyester powder-coat process applied on our dedicated paint lines. A wide variety of standard and custom finishes are available.

LAMP DATA

E26 Edison medium base 120V socket for incandescent or LED lamps.

CONSTRUCTION

Luminaire shade is spun from .063 aluminum. Diffuser is formed glass and available in clear or frosted. Wireguard is formed aluminum.

CODE COMPLIANCE

BAA compliant. ETL certified to meet US and Canadian standards. Suitable for dry or damp locations. Manufactured and tested to UL standards No. 1598/8750.

CEILING MOUNT

(SEE MOUNTING PAGES FOR MORE OPTIONS & CANOPY DIMENSIONS.)

HM / AT / PM

HANG STRAIGHT / ALL THREAD / PENDANT



BL1317INC SHOWN WITH PM

CD

CORD / CABLE MOUNT



BL1317INC SHOWN WITH CD

CM

CORD MOUNT



BL1317INC SHOWN WITH CM

CHN

CHAIN / CORD



BL1317INC SHOWN WITH CHN

SM

SURFACE MOUNT



BL1317INC SHOWN WITH SM

ACCESSORIES

CGG

CLEAR GLASS GLOBE



BL1317INC SHOWN WITH CGG

FGG

FROSTED GLASS GLOBE



BL1317INC SHOWN WITH FGG

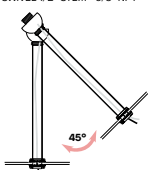
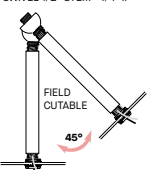

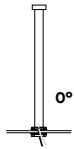
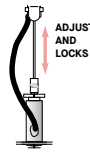




MOUNTING & ACCESSORIES

SOME OPTIONS NOT AVAILABLE ON ALL FIXTURES. CONSULT SPECIFICATION SHEETS. SEE INDIVIDUAL SPECIFICATION SHEETS OR CONSULT FACTORY FOR ADDITIONAL INFORMATION.
NOTE: THIS IS TYPICAL OF SPECPLUME SPECIFICATION FOR PENDANT MOUNTING. INDIVIDUAL FIXTURES OR PROJECTS MAY HAVE SPECIALIZED REQUIREMENTS.



CEILING MOUNTING

<p>HM* HANG STRAIGHT 45° SWIVEL 1/2" STEM - 3/8" NPT</p>  <p>ORDER: HM (Length) SPECIFY LENGTH: HM3 - 3" HM24 - 24" HM6 - 6" HM36 - 36" HM12 - 12" HM48 - 48" HM18 - 18" HM72 - 72" HMLC(XX) Custom Length (Specify in Inches)</p>	<p>AT** HANG STRAIGHT ALL THREAD 45° SWIVEL 1/2" STEM - 1/4" IP</p>  <p>ORDER: AT (Length) SPECIFY LENGTH: AT12 - 12" AT48 - 48" AT24 - 24" AT60 - 60" AT36 - 36" AT72 - 72" PMLLC(XX) Custom Length (Specify in Inches)</p> <p><small>FIELD CUT IN THREADED PIPE TO LENGTH NEEDED CUT PIPE COVER THE SHORTER SLIP PIPE COVER OVER THREADED PIPE</small></p> 	<p>PM* RIGID PENDANT MOUNT RIGID 1/2" STEM - 3/8" NPT</p>  <p>ORDER: PM (Length) SPECIFY LENGTH: PM3 - 3" PM24 - 24" PM6 - 6" PM36 - 36" PM12 - 12" PM48 - 48" PM18 - 18" PM72 - 72" PMLLC(XX) Custom Length (Specify in Inches)</p>	<p>CD CORD / CABLE MOUNT SJ CORD WITH 1/16 SS CABLE</p>  <p>ORDER: CD (Length) SPECIFY LENGTH: CD36 - 36" CD72 - 72" CD144 - 144" CDLC(XX) Custom Length (Specify in Inches)</p>	<p>CM CORD MOUNT SJ CORD WITH STRAIN RELIEF</p>  <p>ORDER: CM (Length) SPECIFY LENGTH: CM36 - 36" CM72 - 72" CM144 - 144" CMLC(XX) Custom Length (Specify in Inches)</p>	<p>CHN CHAIN MOUNT SJ CORD / DECORATIVE CHAIN</p>  <p>ORDER: CHN (Length) SPECIFY LENGTH: CHN36 - 36" CHN72 - 72" CHN144 - 144" CHNLC(XX) Custom Length (Specify in Inches)</p>
--	---	--	--	--	---

*MAXIMUM ONE PIECE STEM LENGTH IS 72". **MAXIMUM ONE PIECE STEM LENGTH IS 36". LONGER LENGTHS ARE POSSIBLE USING MULTIPLE STEMS AND COUPLERS.
**ORDER IN 12" INCREMENTS. ODD SIZES MAY BE FIELD CUT

COLOR OPTIONS - POWDER COAT PAINT FINISHES

NOTE: NO PRINTED IMAGE CAN EQUAL THE EXACT COLOR OF FINISH ON METAL.
SEE INDIVIDUAL SPECIFICATION SHEETS OR CONSULT FACTORY FOR ADDITIONAL INFORMATION.



STANDARD CORD / STEM / CANOPY FINISHES

FIXTURE COLOR	STANDARD CORD COLOR	STANDARD CANOPY / STEM COLOR
Matte White, Textured White	Matte White	Matte White
Gloss White	Matte White	Gloss White
Matte Black, Gloss Black, Textured Black	Matte Black	Matte Black
All Others	Matte Black	Same Color as Fixture
Custom Color	Contact Factory	Contact Factory

PAINT TIMES

TIER	COST	AVERAGE PAINT TIME*
Tier 1 - Standard Finishes	\$	⌚
Tier 2 - Typical Finishes	\$\$	⌚⌚
Custom Color	Contact Factory	Contact Factory

*CONTACT FACTORY FOR SPECIFIC PRODUCT LEAD TIMES

TIER 1 - STANDARD FINISHES



TIER 2 - TYPICAL FINISHES



CUSTOM COLOR FINISHES

CONTACT FACTORY

CC
Custom Color



*UNAVAILABLE FOR WET LOCATION

