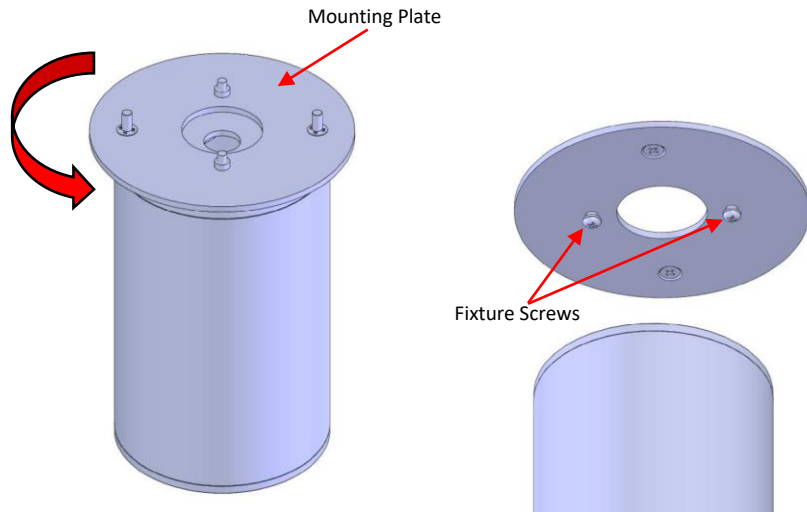
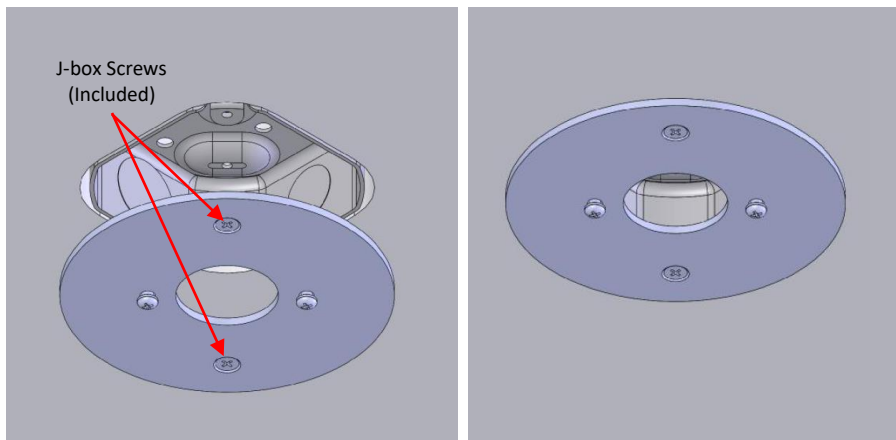


WARNING: Be certain all power is OFF! Wire according to local and national codes. This product should be installed by a qualified electrician.

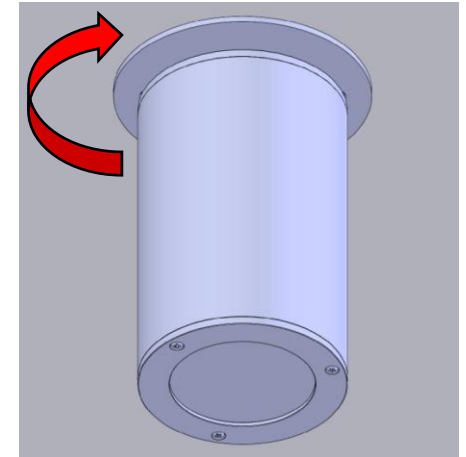
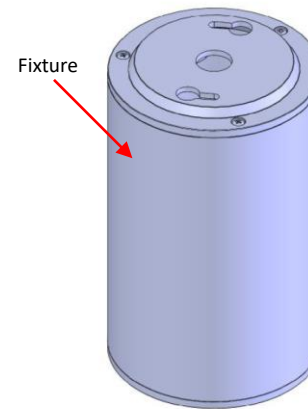


1. Remove Mounting Plate from fixture by twisting **counterclockwise** and pulling up.
 - a. If Wet Location, be careful not to damage gasket material.
 - b. **Do Not** remove screws from Mounting plate.



2. Fasten Mounting Plate to J-box (not included) using provided J-box screws.

3. Make any necessary Power connections with fixture in accordance with Local and National Codes.



4. Take fixture, and twist **clockwise** back onto Mounting plate.
 - a. If too loose or too tight, adjust with fixture screws on Mounting plate.