



13" ROUND DIRECT

STAGE-PRO SERIES



C1320XT - CEILING MOUNT

APPLICATION

13" round x 20" high XT series Stage Pro luminaire for auditorium and area lighting.

FEATURES

Architectural high performance LED Cylinder luminaire. Designed to illuminate auditoriums, houses of worship and other spaces where LED color quality and control are required. This series offers .1% dim to black as well as DMX, ELV and DALI dimming. Rugged design with flexible mounting, finish and LED options make these extremely versatile fixtures. Quick change LED module with interchangeable optics for job site flexibility and fixture upgrade.

FINISH

Multi-stage polyester powder-coat process applied on our dedicated paint lines. See mounting and color pages for standard finishes. All exposed materials are chromate pre-treated to resist corrosion.

ELECTRONICS

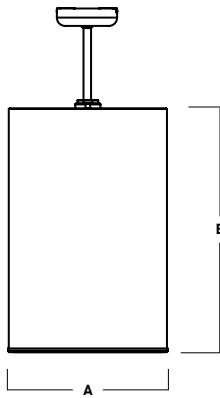
LED system features Xicato LED module with proprietary phosphor technology that provides consistent stable color with CCT control of +/- 100K over life of the light engine. Base CRI is 83 with 2-step MacAdam Ellipse binning. High CRI is 98 with 1 x 2-step MacAdam Ellipse binning. Variety of electronic 120V/277V and dimming drivers. DMX specified control will register as 4 individual unit loads on a DMX universe.

CONSTRUCTION

Housing constructed of .080 aluminum. Specular primary optical reflectors provide high efficiency illumination. Stainless steel hardware with galvanized steel brackets to resist corrosion.

CODE COMPLIANCE

BAA compliant. ETL certified to meet US and Canadian standards. Suitable for dry or damp locations. Manufactured and tested to UL standards No. 1598/8750.



A	B
13.3	20.1
337.8 mm	510.5 mm

Fixture Weight: 27.5 lbs

LUMENS / WATTAGE DATA				
PART NUMBER	SOURCE LUMENS ¹	DELIVERED LUMENS ²	SYSTEM WATTS ³	LPW
C1320XT52L	5200	4750	60.0	79
C1320XT80L	8000	7308	94.8	77
C1320XT120L	12000	11301	138.4	82
C1320XT160L	16000	14072	159.6	88
C1320XT200L	20000	18270	207.0	88

SERIES	LUMENS ¹	CCT	OPTICS	DRIVER / DIMMING ⁶	OPTIONS ¹⁰	TRIM	MOUNTING ¹²	FINISH ¹⁵	
C1320XT	52L	5200 Lm	83 CRI	XN ⁶ 12°	EX Electronic Driver, 120V/277V 10%, 0-10V, 120V/277V DS10X 1%, 0-10V, 120V/277V DO10X Lutron 2-Wire Forward Phase (MLV), 120V DLTE1⁷ 1%, Lutron® EcoSystem® DL3EX⁷ Fade, 120V/277V 0.1%, eidoLED 120V/277V EDO1X DALI Control DALI DMX Standard Configuration DMXS^{8/9} DMX Non-Standard Custom DMXC^{8/9}	FS Fuse Holder and Fuse SC1 Safety Cable	TSG¹¹ Semi Diffuse Low Iridescent Clear TMB Matte Black TCY Same Color as Cylinder TCC Custom Color	HM¹³ Hang Straight PM¹³ Pendant Mount AT¹³ Hang Straight All Thread CD^{13/14} Cord / Cable Mount CD3X^{13/14} 3 Cable Mount with Cord HC Hook / Cord SM Surface Mount CQD⁹ DMX Large Driver Canopy EMERGENCY BATTERY OPTIONS EMRM 7W Remote EM EMEN 7W Remote with Enclosure	MW¹⁶ Matte White MB¹⁶ Matte Black PT¹⁶ Platinum Silver CC Custom Color
	80L	8000 Lm	27K 2700K	ND 25°					
	120L	12000 Lm	30K 3000K	MD 38°					
	160L	16000 Lm	35K 3500K	WD 55°					
	200L	20000 Lm	40K 4000K	XW 58°					
	98 CRI ⁴								
			27HK 2700K						
			30HK 3000K						
			35HK 3500K						
			40HK 4000K						

EXAMPLE: C1320XT80L27KNDDS10X/TSG/PM36/MW

NOTES:
 1 Nominal Source Lumens At Any CCT 2 Nominal Delivered Lumens at 83 CRI at Any CCT with MD-TSG-MW 3 At 83 CRI 4 120L Max 5 80L Max 6 Contact Factory for Additional Options 7 200L Not Available with Lutron Drivers 8 Contact Factory 9 CGD Required for DMXS/C. Luminaire will Register as 4 Individual Unit Loads on DMX Universe 10 See Product Options Page for Details 11 Standard Finish 12 See Mounting Page for Details on Components and Finishes 13 Specify Length in Inches: See Mounting Page for Available Lengths 14 EMxxx Option Requires 2 Cords 15 Reference Color Sheet Located on Product Webpage for Full List of Available Colors/Consult Factory for Special Finishes 16 Standard Finishes



PROJECT: _____
 QUANTITY: _____ TYPE: _____



13" ROUND DIRECT

STAGE-PRO SERIES / FIXTURE OPTIONS



STANDARD FINISHES

MW
MATTE WHITE



MB
MATTE BLACK

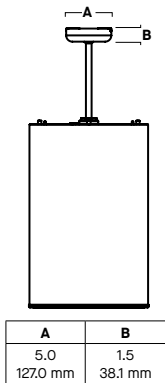


PT
PLATINUM SILVER

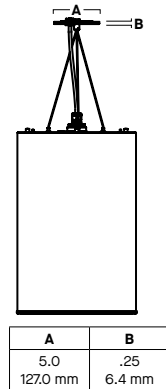


MOUNTING TYPES

HM / PM / AT
HANG STRAIGHT / PENDANT / ALL THREAD



CD3X
CORD / CABLE MOUNT



HC
HOOK AND CORD



SM
SURFACE MOUNT

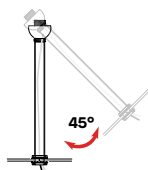
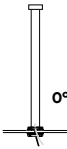
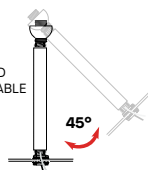
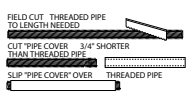

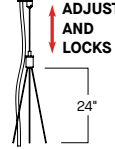
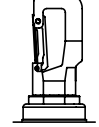
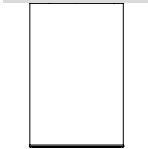


STANDARD MOUNTING & ACCESSORIES

SOME OPTIONS NOT AVAILABLE ON ALL FIXTURES, CONSULT SPECIFICATION SHEETS. SEE INDIVIDUAL SPECIFICATION SHEETS OR CONSULT FACTORY FOR ADDITIONAL INFORMATION. NOTE: THIS IS TYPICAL OF CYLINDERS SPECIFICATION FOR PENDANT MOUNTING. INDIVIDUAL FIXTURES OR PROJECTS MAY HAVE SPECIALIZED REQUIREMENTS.



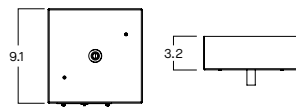
MOUNTING TYPES

<p>HM* HANG STRAIGHT 45° SWIVEL 5/8" OD STEM - 3/8" IP</p>  <p>ORDER: HM (Length) SPECIFY LENGTH: HM3 - 3" HM24 - 24" HM6 - 6" HM36 - 36" HM12 - 12" HM48 - 48" HM18 - 18" HM72 - 72" HMLC(XX) Custom Length (Specify in Inches)</p>	<p>PM* RIGID PENDANT MOUNT RIGID 5/8" OD STEM - 3/8" IP</p>  <p>ORDER: PM (Length) SPECIFY LENGTH: PM3 - 3" PM24 - 24" PM6 - 6" PM36 - 36" PM12 - 12" PM48 - 48" PM18 - 18" PM72 - 72" PMLC(XX) Custom Length (Specify in Inches)</p>	<p>AT** HANG STRAIGHT ALL THREAD 45° SWIVEL 5/8" OD STEM - 1/4" IP</p>  <p>ORDER: AT (Length) SPECIFY LENGTH: AT12 - 12" AT24 - 24" AT36 - 36"</p> 	<p>CD CORD / CABLE MOUNT SJ CORD WITH 1/16 SS CABLE</p>  <p>ORDER: CD (Length) SPECIFY LENGTH: CD36 - 36" CD72 - 72" CD144 - 144" CDLC(XX) Custom Length (Specify in Inches)</p>	<p>CD3X CORD / CABLE MOUNT SJ CORD WITH 1/16 SS CABLE</p>  <p>ORDER: CD3X (Length) SPECIFY LENGTH: CD3x36 - 36" CD3x72 - 72" CD3x144 - 144" CDLC3X(XX) Custom Length (Specify in Inches)</p>	<p>HC HOOK & CORD FOR INDEPENDENT MOUNTING</p>  <p>ORDER: HC</p>	<p>SM SURFACE MOUNT WIRING COMPARTMENT / TOP HAT</p>  <p>ORDER: SM</p>
--	---	--	---	--	---	---

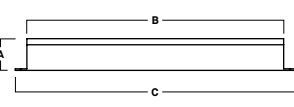
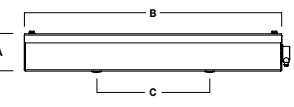
*MAXIMUM ONE PIECE STEM LENGTH IS 72". **MAXIMUM ONE PIECE STEM LENGTH IS 36". LONGER LENGTHS ARE POSSIBLE USING MULTIPLE STEMS AND COUPLERS.

DMX OPTION

CQD - LARGE DRIVER CANOPY FOR DMX OPTIONS



REMOTE EMERGENCY BATTERY OPTIONS

<p>EMRM* - 7W REMOTE EMERGENCY BATTERY (50' MAX)</p>  <table border="1"> <thead> <tr> <th>A</th> <th>B</th> <th>C</th> </tr> </thead> <tbody> <tr> <td>1.3</td> <td>12.6</td> <td>13.0</td> </tr> </tbody> </table>	A	B	C	1.3	12.6	13.0	<p>EMEN* - 7W REMOTE EMERGENCY BATTERY WITH ENCLOSURE (50' MAX)</p>  <table border="1"> <thead> <tr> <th>A</th> <th>B</th> <th>C</th> </tr> </thead> <tbody> <tr> <td>2.0</td> <td>17.0</td> <td>6.2</td> </tr> </tbody> </table>	A	B	C	2.0	17.0	6.2
A	B	C											
1.3	12.6	13.0											
A	B	C											
2.0	17.0	6.2											

*OTHER EM BATTERY SIZES AVAILABLE, CONSULT FACTORY

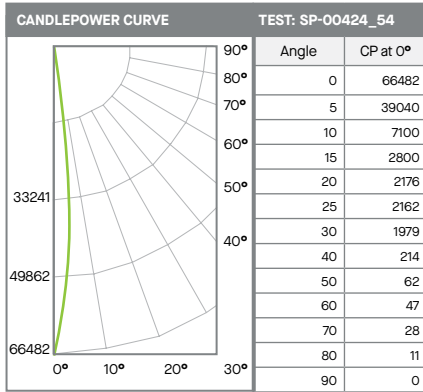


13" ROUND DIRECT

STAGE-PRO SERIES / PHOTOMETRIC DATA



C1320XT-80LxxK-XNEX-TSG-MW



Beam Angle	Lumens	%
0-10	2955	49%
0-20	4043	67%
0-30	5017	84%
0-40	5814	97%
0-60	5934	99%
0-80	5991	100%
0-90	5996	100%
Total Lumens	5996	100%

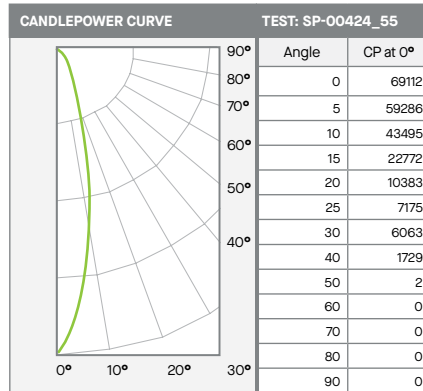
80L XTRA NARROW - 83 CRI

Mounting Height*	FC at Center	Diameter of Beam**	FC at Beam**
10'	665	2.1'	329
12'	462	2.5'	228
16'	260	3.3'	128
20'	166	4.1'	82
24'	115	5.0'	57
28'	85	5.8'	42
32'	65	6.6'	32
36'	51	7.4'	25

* From aperture to horizontal surface below.
** At IESNA defined Beam Angle, to 50% Max. CP.

Delivered Lumens: 5996 CP @ 0° (Nadir): 66482 Spacing Ratio: 0.22
 Luminaire Watts: 142 Beam Angle: 11.8° Output Multipliers: 52L x 0.65
 LER: 42 CRI: 83

C1320XT-200LxxK-NDEX-TSG-MW



Beam Angle	Lumens	%
0-10	5205	28%
0-20	11940	65%
0-30	15466	84%
0-40	17907	98%
0-60	18337	100%
0-80	18337	100%
0-90	18337	100%
Total Lumens	18337	100%

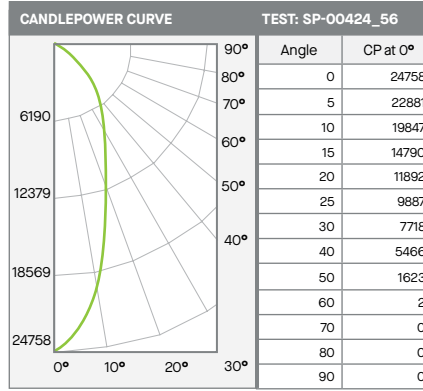
200L NARROW - 83 CRI

Mounting Height*	FC at Center	Diameter of Beam**	FC at Beam**
10'	691	4.4'	329
12'	480	5.3'	229
16'	270	7.1'	129
20'	173	8.9'	82
24'	120	10.6'	57
28'	88	12.4'	42
32'	67	14.2'	32
36'	53	16.0'	25

* From aperture to horizontal surface below.
** At IESNA defined Beam Angle, to 50% Max. CP.

Delivered Lumens: 18337 CP @ 0° (Nadir): 69112 Spacing Ratio: 0.42
 Luminaire Watts: 207 Beam Angle: 25° Output Multipliers: 52L x 0.26, 80L x 0.4, 120L x 0.62, 160L x 0.77
 LER: 89 CRI: 83

C1320XT-200LxxK-MDEX-TSG-MW



Beam Angle	Lumens	%
0-10	2100	11%
0-20	6356	35%
0-30	10840	59%
0-40	14792	81%
0-60	18269	100%
0-80	18270	100%
0-90	18270	100%
Total Lumens	18270	100%

200L MEDIUM - 83 CRI

Mounting Height*	FC at Center	Diameter of Beam**	FC at Beam**
10'	248	6.9'	111
12'	172	8.3'	77
16'	97	11.0'	43
20'	62	13.8'	28
24'	43	16.5'	19
28'	32	19.3'	14
32'	24	22.0'	11
36'	19	24.8'	9

* From aperture to horizontal surface below.
** At IESNA defined Beam Angle, to 50% Max. CP.

Delivered Lumens: 18270 CP @ 0° (Nadir): 24758 Spacing Ratio: 0.6
 Luminaire Watts: 207 Beam Angle: 38° Output Multipliers: 52L x 0.26, 80L x 0.4, 120L x 0.62, 160L x 0.77
 LER: 88 CRI: 83



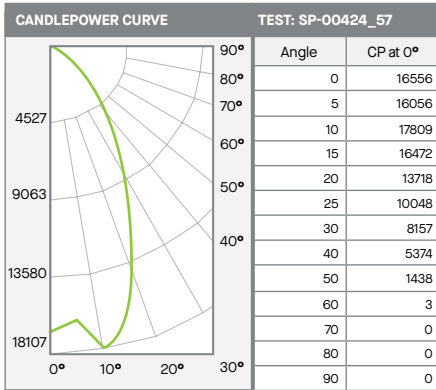
13" ROUND DIRECT

STAGE-PRO SERIES / PHOTOMETRIC DATA



C1320XT-200LxxK-WDEX-TSG-MW

200L WIDE - 83 CRI



Beam Angle	Lumens	% Total
0-10	1610	9%
0-20	6125	34%
0-30	10942	60%
0-40	15084	83%
0-60	18204	100%
0-80	18205	100%
0-90	18205	100%
Total Lumens	18205	100%

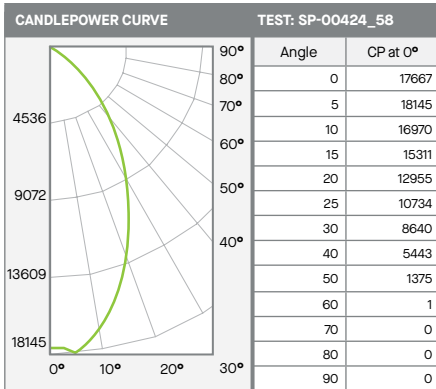
Mounting Height*	FC at Center	Diameter of Beam**	FC at Beam**
10'	166	10.4'	65
12'	115	12.5'	45
16'	65	16.7'	25
20'	41	20.8'	16
24'	29	25.0'	11
28'	21	29.2'	8
32'	16	33.3'	6
36'	13	37.5'	5

* From aperture to horizontal surface below.
** At IESNA defined Beam Angle, to 50% Max. CP.

Delivered Lumens: 18205 CP @ 0° (Nadir): 16556 Spacing Ratio: 0.9
 Luminaire Watts: 207 Beam Angle: 55° Output Multipliers: 52L x 0.26, 80L x 0.4, 120L x 0.62, 160L x 0.77
 LER: 88 CRI: 83

C1320XT-200LxxK-XWEX-TSG-MW

200L XTRA WIDE - 83 CRI



Beam Angle	Lumens	% Total
0-10	1675	9%
0-20	5952	33%
0-30	10873	59%
0-40	15291	84%
0-60	18292	100%
0-80	18293	100%
0-90	18293	100%
Total Lumens	18293	100%

Mounting Height*	FC at Center	Diameter of Beam**	FC at Beam**
10'	177	11.1'	68
12'	123	13.3'	47
16'	69	17.7'	26
20'	44	22.2'	17
24'	31	26.6'	12
28'	23	31.0'	9
32'	17	35.5'	7
36'	14	39.9'	5

* From aperture to horizontal surface below.
** At IESNA defined Beam Angle, to 50% Max. CP.

Delivered Lumens: 18293 CP @ 0° (Nadir): 17667 Spacing Ratio: 0.88
 Luminaire Watts: 207 Beam Angle: 58° Output Multipliers: 52L x 0.23, 80L x 0.4, 120L x 0.62, 160L x 0.77
 LER: 88 CRI: 83

