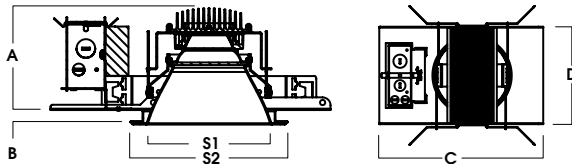
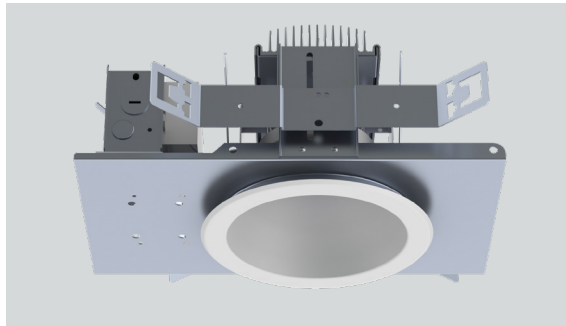
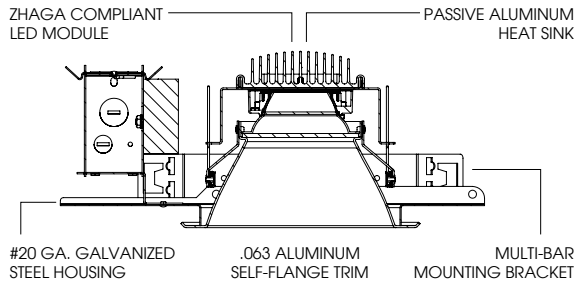


5" ROUND DOWNLIGHT FX SERIES / 4000 LUMENS MAX



A	B	C	D	S1	S2
4.4 111.8 mm	.625 15.9 mm	13.3 337.8 mm	7.9 200.7 mm	5.0 127.0 mm	6.3 160.0 mm

SGE5LEDFX - TRIM FLANGE / NON-IC RATED

APPLICATIONS

FX series 5" diameter downlights, designed for general downlighting with smooth light distribution.

FEATURES

Shallow plenum construction. Wide range of apertures. Companion retrofit and remodel fixtures available. Auto dim thermal protector for long term reliability. Zhaga international standard LED module for ease of maintenance and future replacement. Tool-less LED module, driver, and J-Box access. Multi-Bar mounting brackets, fit a variety of mounting bars. Posi-lock trim retention torsion springs. Integral 5/8" (.625) collar, works in ceiling up to 1" Deep. BH27 Standard mounting bars included. Intended for Non-IC new construction.

FINISH

Variety of powdercoat and anodized finishes available. Matte white flange is standard.

ELECTRONICS

LED system features high efficacy Philips LEDs. Standard CRI is >80. Drivers are overload and short circuit protected as well as thermally regulated. Sound rating A.

CONSTRUCTION

Housing/frame constructed of #20 ga. galvanized steel to resist corrosion. Self-flanged one piece trim spun from 0.063 3002 high purity aluminum and finished to specification. Passive machined aluminum heatsink.

CODE COMPLIANCE

ENERGY STAR® Certified when used with SG or MW trims only. BAA Compliant. Non-IC New Construction only. ETL certified to meet US and Canadian standards. Suitable for dry or damp locations. Optional Wet location listed trim. LM79/LM80 data available. Manufactured and tested to UL standards No. 1598/8750.

RATED LIFE

Rated for 60,000 Hours at 70% lumen maintenance. (L70)

LUMENS / WATTAGE DATA

PART NUMBER	SOURCE LUMENS ¹	DELIVERED LUMENS ²	SYSTEM WATTS	LPW
SGE5LEDFX10L	1000	788	9.2	86
SGE5LEDFX15L	1500	1218	13.1	93
SGE5LEDFX20L	2000	1624	17	96
SGE5LEDFX30L	3000	2389	25	96
SGE5LEDFX40L	4000	3224	34.6	93

SERIES	LUMENS ¹	CCT	DRIVER / VOLTAGE	OPTIONS	TRIM	FINISH	TRIM OPTIONS		
SGE5LEDFX	10L	1000 Lm	DX 1%, 0-10V, 120V/277V	BH27³ 27" Solid Bars H12 12" - 24" Expandable Bars H06 6" - 12" Expandable Bars CB24 24" C-Channel Bars EM Integral Emergency Battery EMRM⁴ Remote Emergency Battery Pack FS Fusing CR Corrosion Resistant PR⁵ Deep Ceiling Extension	AR5223FX	MW Matte White MB Matte Black SG Semi-Diffuse PT Platinum Silver CC⁶ Custom Color	WF White Flange MF⁷ Matching Flange SO⁸ Micro Prism Solite™ Lens SOW Micro Prism Solite™ Lens Wet Location		
	15L	1500 Lm						30K	3000K
	20L	2000 Lm						35K	3500K
	30L	3000 Lm						40K	4000K
	40L	4000 Lm							

EXAMPLE: SGE5LEDFX30L30KDX/BH27/AR5223FXMWMF50

NOTES:
 1 Nominal Source Lumens at 35K 2 Nominal Delivered Lumens at 35K with MW SO 3 Standard Bar Hangers 4 Installer Responsible for EM Access 5 Contact Factory 6 Contact Factory for Special Finishes
 7 Flange Same Color as Inside of Trim 8 Standard Lens



PROJECT: _____
 TYPE: _____



Dimensions and values shown are nominal. Spectrum Lighting continually works to improve products and reserves the right to make changes which may alter the performance or appearance of products.

5" ROUND DOWNLIGHT FX SERIES / PHOTOMETRIC DATA

recessed
fixtures



SGx5LEDFX-40L35KDX-AR5223FX-MW-SO

CANDLEPOWER CURVE TEST SP-00748_M-40L	INTENSITY CANDELA 0° AZIMUTH	ZONAL LUMENS	SINGLE UNIT: PERFORMANCE DIRECT FOOTCANDLES BASED ON DOWNLIGHT ONLY	MULTIPLE UNITS: PERFORMANCE 80/50/20% REFLECTANCES INITIAL FOOTCANDLES AND WATTS PER SQUARE FOOT								
	0°	0° - 10° 244 8%	Mounting Height AFF	FC at Center on Floor	Beam Diameter	FC at Beam Edge	Ceiling Height	Fixture Spacing	RCR 2		RCR 4	
	0° 2556	0° - 20° 894 28%	5.5'	84 fc	7.3'	24 fc	9'	6'	FC +	W/Sq. Ft.	FC +	W/Sq. Ft.
	5° 2538	0° - 30° 1744 54%	6.5'	60 fc	8.7'	17 fc	12'	8'	74	0.82	90	1.18
	15° 2325	0° - 40° 2468 77%	7.5'	45 fc	10.0'	13 fc	16'	10'	50	0.55	42	0.55
	25° 1864	0° - 60° 3039 94%	8.5'	35 fc	11.4'	10 fc	Delivered Illuminance Rating: (DIR)					
	35° 1172	0° - 80° 3211 100%	10.0'	26 fc	13.4'	7 fc						90 FC per W/Sq. Ft.
	45° 470	0° - 90° 3224 100%	12.0'	18 fc	16.0'	5 fc	Recessed mounting Square rooms used for multiple units: RCR 2: Length & Width = Ceiling Ht. - 2.5' x 5.00 RCR 4: Length & Width = Ceiling Ht. - 2.5' x 2.50 † Average Footcandles at 2.5' Above Floor					
	55° 215	Total 3224 100%	14.0'	13 fc	18.7'	4 fc						
	90° 3		16.0'	10 fc	21.4'	3 fc						

Delivered Lumens: 3224
Luminaire Watts: 34.6
LER: 93.18

CP at 0° (Nadir): 2556
CRI: 80+

Beam Angle: 67°
Spacing Ratio: 1.00

Lumen Multiplier: 10L x 0.25, 15L x 0.38, 20L x 0.50, 30L x 0.74
CCT Multiplier: 27K x 0.95, 30K x 1.0, 40K x 1.08

SGx5LEDFX-40L35KDX-AR5223FX-SG-SO

CANDLEPOWER CURVE TEST SP-00748_1_M-40L	INTENSITY CANDELA 0° AZIMUTH	ZONAL LUMENS	SINGLE UNIT: PERFORMANCE DIRECT FOOTCANDLES BASED ON DOWNLIGHT ONLY	MULTIPLE UNITS: PERFORMANCE 80/50/20% REFLECTANCES INITIAL FOOTCANDLES AND WATTS PER SQUARE FOOT								
	0°	0° - 10° 295 10%	Mounting Height AFF	FC at Center on Floor	Beam Diameter	FC at Beam Edge	Ceiling Height	Fixture Spacing	RCR 2		RCR 4	
	0° 3157	0° - 20° 1038 35%	5.5'	104 fc	6.3'	34 fc	9'	6"	FC +	W/Sq. Ft.	FC +	W/Sq. Ft.
	5° 3117	0° - 30° 1937 65%	6.5'	75 fc	7.5'	24 fc	12'	8'	71	0.82	88	1.18
	15° 2694	0° - 40° 2616 88%	7.5'	56 fc	8.6'	18 fc	16'	10'	48	0.55	41	0.55
	25° 1992	0° - 60° 2968 100%	8.5'	44 fc	9.8'	14 fc	Delivered Illuminance Rating: (DIR)					
	35° 1092	0° - 80° 2980 100%	10.0'	32 fc	11.5'	10 fc						86 FC per W/Sq. Ft.
	45° 323	0° - 90° 2981 100%	12.0'	22 fc	13.8'	7 fc	Recessed mounting Square rooms used for multiple units: RCR 2: Length & Width = Ceiling Ht. - 2.5' x 5.00 RCR 4: Length & Width = Ceiling Ht. - 2.5' x 2.50 † Average Footcandles at 2.5' Above Floor † Exceeds Spacing Ratio by 5%					
	55° 79	Total 2981 100%	14.0'	16 fc	16.1'	5 fc						
	90° 1		16.0'	12 fc	18.4'	4 fc						

Delivered Lumens: 2981
Luminaire Watts: 34.6
LER: 86.16

CP at 0° (Nadir): 3157
CRI: 80+

Beam Angle: 60°
Spacing Ratio: 0.88

Lumen Multiplier: 10L x 0.25, 15L x 0.38, 20L x 0.50, 30L x 0.74
CCT Multiplier: 27K x 0.95, 30K x 1.0, 40K x 1.08