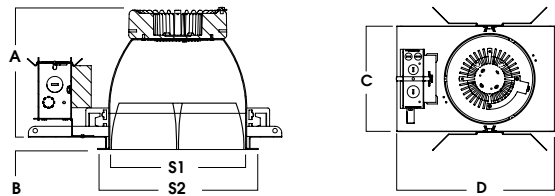
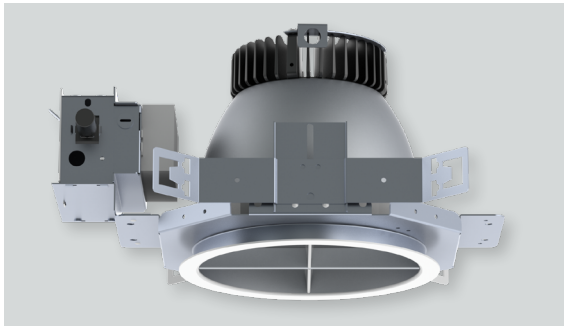
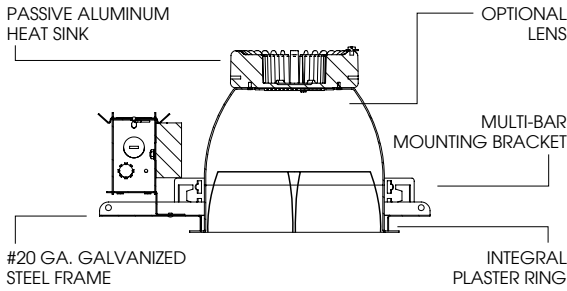


# 8" ROUND CROSS BLADE DOWNLIGHT

GV SERIES / 5500 LUMENS MAX



A	B	C	D	S1	S2
7.06	.625	9.38	14.0	7.5	8.88
179.32 mm	15.88 mm	238.25 mm	355.6 mm	190.5 mm	225.55 mm

## SGV8LEDGV - TRIM FLANGE / NON-IC RATED

### APPLICATION

8" Round aperture recessed LED cross blade splay for general downlighting.

### FEATURES

Single stage optical system with deep reflector design delivers smooth glare-free general illumination. Tool-less LED module, driver, and J-Box access. Multi-Bar mounting brackets. BH27 Standard mounting bars included. Posi-lock trim retention springs. Integral 0.625" collar, with Deep Ceiling Extension (PR), consult factory.

### TRIM FINISH

A variety of architectural powdercoat and anodized finishes are available.

Matte White flange is standard.

### ELECTRONICS

GV LED system features high brightness white Samsung LED's. 3-step MacAdam Ellipse binning. Standard CRI: 85+. Higher CRI, R9 and custom LED configurations are available; consult factory. A variety of electronic 120V/277V and dimming drivers available.

### CONSTRUCTION

Housing/frame constructed of #20 ga. galvanized steel to resist corrosion. Self-flanged one piece trim spun from 0.063" thick high purity aluminum and finished to specification. Positive machined aluminum heatsink.

### CODE COMPLIANCE

BAA Compliant. Non-IC rated. ETL certified to meet US and Canadian standards. Suitable for dry or damp locations. Manufactured and tested to UL standards No. 1598/8750.

WATTAGE TO LUMENS UPDATE					
CURRENT PART NUMBER EXAMPLE	PREVIOUS PART NUMBER EXAMPLE	SOURCE LUMENS <sup>1</sup>	DELIVERED LUMENS <sup>2</sup>	SYSTEM WATTS	LPW/LER
SGV8LEDGV15L	SGV8LEDGV14W	1500	946	13.3	71.1
SGV8LEDGV27L	SGV8LEDGV26W	2700	1712	22.3	76.8
SGV8LEDGV37L	SGV8LEDGV37W	3700	2316	29.1	79.6
SGV8LEDGV55L	SGV8LEDGV55W	5500	3425	42.6	80.4

SERIES	LUMENS <sup>1</sup>	CCT	DRIVER / VOLTAGE <sup>3</sup>	OPTIONS <sup>4</sup>	TRIM	FINISH <sup>7</sup>	TRIM OPTIONS	
SGV8LEDGV	15L	1500 Lm	<b>E</b> Electronic Driver <b>DS10</b> 10% 0-10V <b>DO10</b> 1% 0-10V <b>DS2W1</b> 1%, ELV/MLV, 120V <b>DLTE1</b> 1% Lutron® 2-Wire Forward Phase, 120V <b>DL3E</b> 1% Lutron® EcoSystem®, Fade <b>EL10</b> 1%, eldoLED <b>ED01</b> 0.1%, eldoLED <b>DALI</b> DALI Control	<b>1</b> 120V <b>2</b> 277V	<b>BH27</b> <sup>5</sup> 27" Solid Bars <b>H12</b> 12" - 24" Expandable Bars <b>H06</b> 6" - 12" Expandable Bars <b>CB24</b> 24" C-Channel Bars <b>EM</b> Integral Emergency Battery <b>FS</b> Fusing <b>EB</b> Black Housing <b>CR</b> Corrosion Resistant <b>PR</b> <sup>6</sup> Deep Ceiling Extension <b>GR</b> Goof Ring <b>AMB</b> Anti Microbial Finish	<b>AR8710GVXB</b> <sup>6</sup> Cross Blade Splay	<b>SG</b> <sup>9</sup> Semi-Diffuse <b>HZ</b> Haze Full Diffuse <b>MW</b> Matte White <b>MB</b> Matte Black <b>AC</b> Anodic Champagne <b>AS</b> Anodic Sapphire <b>PT</b> Platinum Silver <b>OB</b> Oil Rubbed Bronze <b>CH</b> Charcoal <b>AS</b> Anodic Sapphire <b>AM</b> Anodic Malachite <b>SN</b> Sun Gold <b>CO</b> Copper Metallic <b>GH</b> Graphite <b>AMB</b> Anti Microbial Finish <b>CC</b> Custom Color	<b>PF</b> <sup>10</sup> Polished Flange <b>SO</b> Micro Prism Solite™ Lens <b>FG</b> Frosted Glass Lens <b>GS</b> Gasket for Flange <b>WL</b> Wet Location
	27L	2700 Lm						
	37L	3700 Lm						
	55L	5500 Lm						

**EXAMPLE:** SGV8LEDGV27L35KE1BH27/AR8710GVXBMW

**NOTES:**  
 1 Nominal Source Lumens at 35K 2 Nominal Delivered Lumens at 35K with SG 3 Contact Factory for Additional Options 4 See Product Options Page For Details 5 Standard Bar Hangers 6 Contact Factory  
 7 Contact Factory for Special Finishes 8 Matte White Flange Standard 9 Standard Finish 10 Flange Same Finish as Reflector



PROJECT: \_\_\_\_\_  
 TYPE: \_\_\_\_\_



Dimensions and values shown are nominal. Spectrum Lighting continually works to improve products and reserves the right to make changes which may alter the performance or appearance of products.