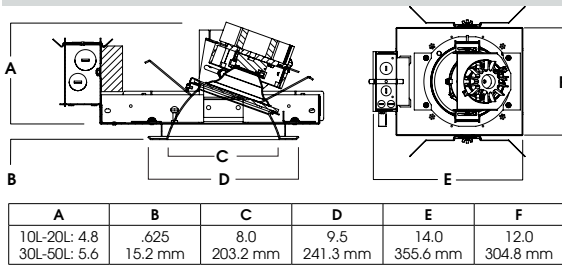
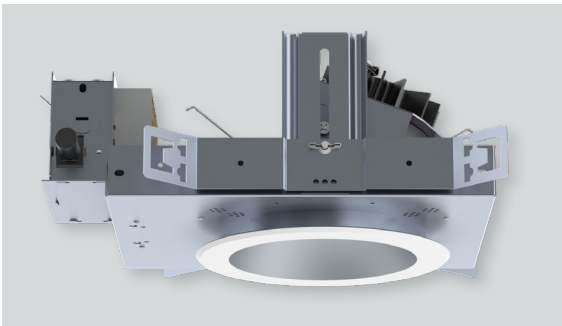
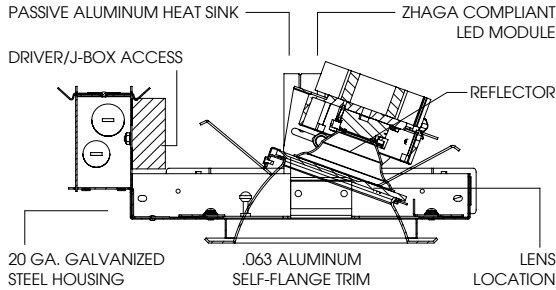




8" ROUND ADJUSTABLE ACCENT XT SERIES / 5000 LUMENS MAX



RAFO8XT - TRIM FLANGE / NON-IC RATED

APPLICATION

Versatile 8" Round aperture recessed LED accent light with a wide range of lumens and optical controls. Tilts and locks to 35°. Rotates and locks 360°.

FEATURES

Two-stage optical system for smooth light distribution and focus control. Quick change LED module with interchangeable optics for job site adjustment and fixture maintenance. Shallow plenum design. Tool-less driver and j-box access. Posi-lock trim retention torsion springs.

TRIM FINISH

A variety of architectural powdercoat and anodized finishes are available.

Matte White flange is standard.

ELECTRONICS

LED system features Xicato LED module with proprietary phosphor technology that provides consistent, stable color with CCT control of +/- 100K over life of the light engine. Base CRI is 83 with 2-step MacAdam Ellipse binning. High CRI is 98 with 1x2-step MacAdam Ellipse binning. Variety of electronic 120V/277V and dimming drivers.

CONSTRUCTION

Housing/frame constructed of #20 ga. galvanized steel to resist corrosion. Self-Flanged one piece trim spun from 0.063" thick high purity aluminum and finished to specification.

CODE COMPLIANCE

BAA Compliant. Non-IC rated. ETL certified to meet US and Canadian standards. Suitable for dry or damp locations. Optional Wet location. Manufactured and tested to UL standards No. 1598/8750.

WATTAGE / LUMENS DATA		
PART NUMBER	SOURCE LUMENS ¹	SYSTEM WATTS
RAFO8XT10L	1000	11.1
RAFO8XT13L	1300	15.0
RAFO8XT20L	2000	23.7
RAFO8XT30L	3000	34.6
RAFO8XT40L	4000	39.9
RAFO8XT50L	5000	54.0

SERIES	LUMENS ¹	CCT	OPTICS	DRIVER / DIMMING / VOLTAGE ³	OPTIONS ⁶	TRIM	FINISH	TRIM OPTIONS ¹²			
RAFO8XT	83 CRI		XN ² 10°	E_ Electronic Driver	1 120V	BH27 ⁷ 27" Solid Bars	RA8FXT ⁸	SG ¹⁰ Semi-Diffuse			
	10L	1000 Lm							27K	2700K	ND 26°
	13L	1300 Lm	30K	3000K	MD 45°	DO10_ 1% 0-10V			H06 6" - 12" Expandable Bars	HZ Haze Full Diffuse	GLX ¹⁴ Clear Glass Lens
	20L	2000 Lm	35K	3500K	WD 50°	DS2W1 1% ELV/MLV, 120V			CB24 24" C-Channel Bars	MW Matte White	PGX Prismatic Glass Lens
	30L	3000 Lm	40K	4000K	XW 55°	DLTE1 ⁴ 1% Lutron® 2-Wire Forward Phase, 120V			EM Integral Emergency Battery	MB Matte Black	FGX Frosted Glass Lens
	40L	4000 Lm			DL3E_ ⁴ 1% Lutron® EcoSystem®, Fade	FB Fusing			PT Platinum Silver	OB Oil Rubbed Bronze	SOW Micro Prism Solite™ Lens
	50L	5000 Lm			EL10_ 1%, eldoLED	EB Black Housing			CH Charcoal	CH Charcoal	GLW Clear Glass Lens
	98 CRI				ED01_ 0.1%, eldoLED	CR Corrosion Resistant			AC Anodic Champagne	AS Anodic Sapphire	Wet Location
	10L	1000 Lm	27HK	2700K	DALI_ DALI Control	PR ⁸ Deep Ceiling Extension			AM Anodic Malachite	AS Anodic Malachite	Wet Location
	13L	1300 Lm	30HK	3000K	DMXS_ ⁵ DMX Standard Configuration	GR Goof Ring			SN Sun Gold	AM Anodic Malachite	Wet Location
	20L	2000 Lm	35HK	3500K	DMXC_ ⁵ DMX Non-Standard Custom	AMB Anti Microbial Finish			CO Copper Metallic	SN Sun Gold	Wet Location
	30L	3000 Lm	40HK	4000K					GH Graphite	CO Copper Metallic	Wet Location
									AMB Anti Microbial Finish	GH Graphite	Wet Location
									CC ¹¹ Custom Color	AMB Anti Microbial Finish	Wet Location
							CC ¹¹ Custom Color	PF ¹⁵ Polished Flange			

EXAMPLE: RAFO8XT13L35KNDE1BH27/RA8FXTSG

NOTES:
 1 Nominal Source Lumens at Any CCT 2 XN 13L Max at 83 and 98 CRI 3 Contact Factory for Additional Options 4 50L Not Available with Lutron Drivers 5 Contact Factory 6 See Product Options Page for Details 7 Standard Bar Hangers 8 Contact Factory 9 "F" Indicates Self-Flange Trim, Matte White Standard 10 Standard Finish 11 Contact Factory for Special Finishes 12 Contact factory for Special Lenses/Louvers 13 Standard Lens for MD, WD, XW 14 Standard Lens for XN and ND 15 Flange and Reflector Same Finish



PROJECT: _____
 TYPE: _____



Dimensions and values shown are nominal. Spectrum Lighting continually works to improve products and reserves the right to make changes which may alter the performance or appearance of products.