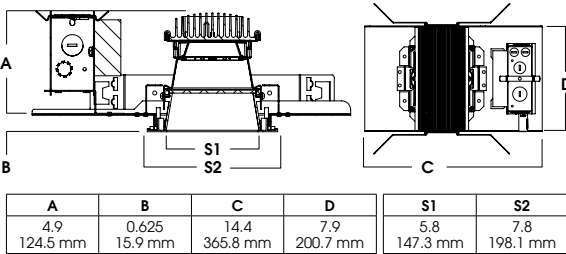
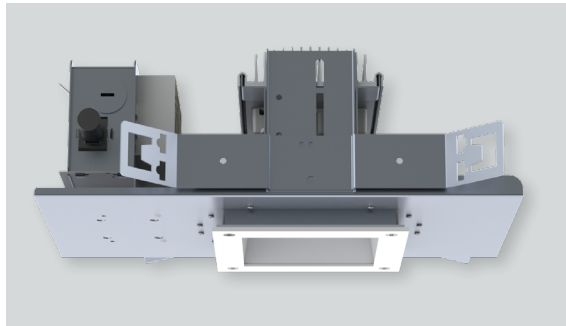
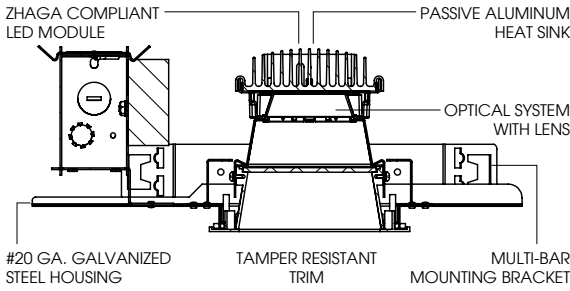


# 6" SQUARE TAMPER RESISTANT OS SERIES / 4500 LUMENS MAX



## SGTP6SQLEDOS - TRIM FLANGE / NON-IC RATED

### APPLICATION

6" LED Recessed Tamper Resistant downlight.

### FEATURES

Tamper Resistant hardware with stainless steel bezel and flush lens. Captive stainless hardware. Polycarbonate underlay option for impact resistance (PC). Lens is silicone sealed to prevent dust or moisture from entering optical chamber. Two-stage optical system for smooth light distribution. Zhaga International Standard LED module for ease of maintenance and replacement. Tool-less LED module, driver and J-Box access. Multi-Bar mounting brackets. BH27 Standard mounting bars included. Posi-lock trim retention torsion springs. Integral 0.625" collar.

### TRIM FINISH

A variety of architectural powdercoat and anodized finishes are available.

### ELECTRONICS

LED module features high brightness white Osram LEDs. 3-step MacAdam Ellipse binning and CRI 84 minimum. Full range of electronic 120V/277V and dimming drivers.

### CONSTRUCTION

Housing/frame constructed of #20 ga. galvanized steel to resist corrosion. Stainless steel bezel finished to specification. Passive machined aluminum heatsink.

### CODE COMPLIANCE

BAA Compliant. Non-IC rated. ETL certified to meet US and Canadian standards. Suitable for dry or damp locations. Optional Wet location. LM79/LM80/TM21 data available. Manufactured and tested to UL standards No. 1598/8750.

WATTAGE TO LUMENS UPDATE					
CURRENT PART NUMBER EXAMPLE	PREVIOUS PART NUMBER EXAMPLE	SOURCE LUMENS <sup>1</sup>	DELIVERED LUMENS <sup>2</sup>	SYSTEM WATTS	LPW
SGE6SQLEDOS10L	SGE6SQLEDOS14W	1100	932	11	89
SGE6SQLEDOS15L	N/A	1500	1218	13	92
SGE6SQLEDOS20L	SGE6SQLEDOS25W	2000	1980	20	98
SGE6SQLEDOS30L	SGE6SQLEDOS35W	3000	2722	28	99
SGE6SQLEDOS45L	N/A	4500	4022	41	98

SERIES	LUMENS <sup>1</sup>	CCT	DRIVER / DIMMING / VOLTAGE <sup>3</sup>	OPTIONS <sup>4</sup>	TRIM	FINISH <sup>5</sup>	OPTIONS
SGTP6SQLEDOS	10L 1100 Lm	27K 2700K	E Electronic Driver	BH27 <sup>5</sup> 27" Solid Bars	TP0366OSMW <sup>7</sup>	MW <sup>10</sup> Matte White	SO <sup>12</sup> Micro Prism Solite™ Lens
	15L 1500 Lm	30K 3000K	DS10_ 10%, 0-10V	H12 12" - 24" Expandable Bars		MB Matte Black	FG Frosted Glass Lens
	20L 2000 Lm	35K 3500K	DO10_ 1%, 0-10V	H06 6" - 12" Expandable Bars		SS Brushed Stainless Steel	FO90 White Optic Lens
	30L 3000 Lm	40K 4000K	DS2W1 1%, ELV/MLV, 120V	CB24 24" C-Channel Bars		BA Brushed Aluminum	AMB Anti-Microbial Finish
	45L 4500 Lm		DLTE1 1% Lutron® 2-Wire Forward Phase, 120V	FS Fusing		CRO Chrome Plated	
		DL3E 1% Lutron® EcoSystem®, Fade	EB Fixture Painted Black	GA Galvanized	ADDITIONAL OPTIONS		
		EL10_ 1%, eldoLED	CR Corrosion Resistant	BZ Bronze	PC <sup>13</sup> 0.125" Polycarb Underlay for Impact Resistance	GS Gasket	
		ED01_ 0.1%, eldoLED	PR <sup>6</sup> Deep Ceiling Extension	OB Oil Rubbed Bronze	WL Wet Location	PF <sup>14</sup> Polished Flange	
		DALI_ DALI Control	GR Goof Ring	PT Platinum Silver			
			ZIG <sup>7</sup> ZigBee Module	CH Charcoal			
			BLU <sup>7</sup> Bluetooth LE	GH Graphite			
			EM <sup>8</sup> 7W Emergency Battery Test Switch Remote	SN Sun Gold			
			AMB Anti-Microbial Finish	CO Copper Metallic			
				CC <sup>11</sup> Custom Color			

**EXAMPLE:** SGTP6SQLEDOS20L35KE1/TP0366OSMWSOPC

**NOTES:**  
 1 Nominal Source Lumens at 35K 2 Nominal Delivered Lumens at 35K with MW-SO 3 Contact Factory for Additional Options 4 See Product Options Page for Details 5 Standard Bar Hangers 6 Contact Factory  
 7 Order DS101/2 When Specifying ZIG or BLU 8 Standard EM 9 Matte White Reflector 10 Standard Finish 11 Contact Factory for Special Finishes 12 Standard Lens 13 Supplied 14 Flange and Reflector Same Finish



PROJECT: \_\_\_\_\_  
 TYPE: \_\_\_\_\_



Dimensions and values shown are nominal. Spectrum Lighting continually works to improve products and reserves the right to make changes which may alter the performance or appearance of products.