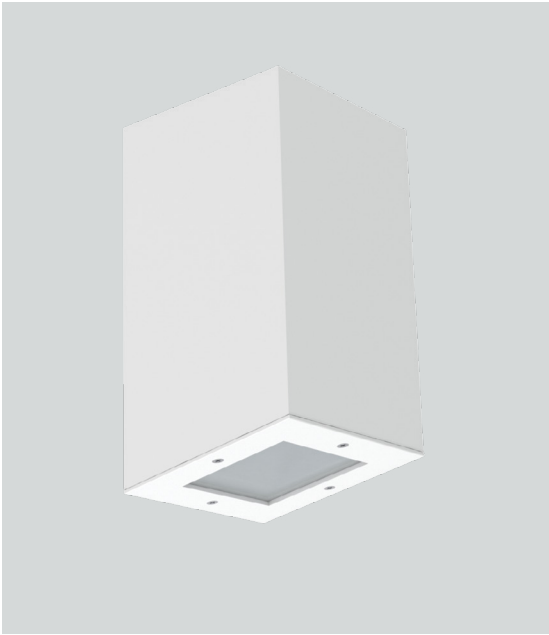


6" SQUARE FORWARD THROW SPECIALTY SERIES



SPC0612SQFTLEDXL - CEILING MOUNT

APPLICATION

6" Square LED XL series cylinder with forward throw optic (peak candela at 50° above nadir.) May be pendant or surface mounted. Ideal for wall, stairwell, and pathway illumination.

FINISH

Multi-stage polyester powder-coat process applied on our dedicated paint lines. A wide variety of standard and custom finishes are available. All exposed materials are chromate pretreated to resist corrosion.

ELECTRONICS

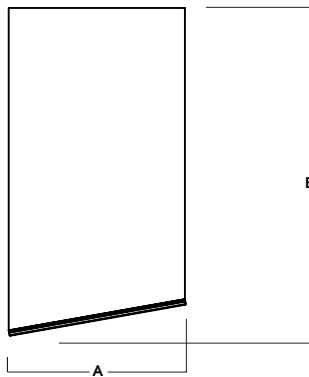
LED system features Xicato LED module with proprietary phosphor technology that provides consistent stable color with CCT control of +/- 100K over life of the light engine. Base CRI is 83 with 2-step MacAdam Ellipse binning. Variety of electronic 120V/277V and dimming drivers.

CONSTRUCTION

The housing is made from a heavy walled aluminum extrusion. Within the housing, the design uses a combination of corrosion resistant and stainless steel components. Optics formed high purity aluminum. Tempered glass safety lens. Die cut neoprene gasket.

CODE COMPLIANCE

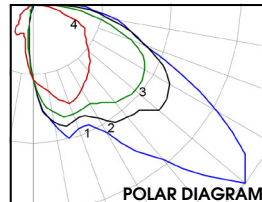
BAA Compliant. ETL listed for damp locations. Wet location option. Manufactured and tested to UL standard No. 1598/8750.



A	B
6.0	11.1
152.4 mm	281.9 mm

Fixture Weight: lbs

LUMENS / WATTAGE DATA				
PART NUMBER	SOURCE LUMENS	DELIVERED LUMENS ²	SYSTEM WATTS	LPW
SPC0612SQFTLEDXL 10L	1000	920	15	62
SPC0612SQFTLEDXL 13L	1300	1309	22	61
SPC0612SQFTLEDXL 20L	2000	1698	31	54
SPC0612SQFTLEDXL 30L	3000	2359	49	48



CANDELA CURVES

- 1 Vertical Plane at Horizontal Angle 0°
- 2 Vertical Plane at Horizontal Angle 22.5°
- 3 Vertical Plane at Horizontal Angle 45°
- 4 Vertical Plane at Horizontal Angle 67.5°

SERIES	LUMENS ¹	CCT	OPTICS	DRIVER / DIMMING ³	OPTIONS ⁴	TRIM	MOUNTING ⁵	FINISH ⁷		
SPC0612SQFTLEDXL	10L	1000 Lm	30K	3000K	FT Forward Throw	EX Electronic Driver, 120V/277V DS10X 10%, 0-10V, 120V/277V DS2W1 ELV/MLV, 120V	FS Fuse Holder and Fuse Corrosion Resistant CR Corrosion Resistant GS Gasket WL Wet Location	GL Clear Glass Lens	HM ⁶ Hang Straight	MW ⁸ Matte White MB ⁸ Matte Black PT ⁸ Platinum Silver
	13L	1300 Lm	35K	3500K					AT ⁶ Hang Straight All Thread	
	20L	2000 Lm	40K	4000K					PM ⁶ Rigid Pendant Mount	
	30L	3000 Lm							SM Surface Mount	
EMERGENCY BATTERY OPTIONS										
EMRM 7W Remote EM										
See Page 4 for Full Range of Color Options (83-90095)										

EXAMPLE: SPC0612SQFTLEDXL10L35KFTDS10XGLHM36MW

NOTES:

1 Nominal Source Lumens At Any CCT 2 Nominal Delivered Lumens At Any CCT 3 Contact Factory for Additional Options 4 See Product Options Page for Details 5 See Mounting Page for Details on Components and Finishes 6 Specify Length in Inches: See Mounting Page for Available Lengths 7 See Color Page for More Options/Consult Factory for Special Finishes 8 Standard Finishes



PROJECT: _____
TYPE: _____



Dimensions and values shown are nominal. Spectrum Lighting continually works to improve products and reserves the right to make changes which may alter the performance or appearance of products.

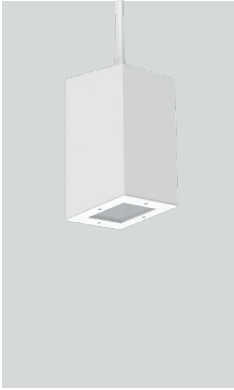
6" SQUARE FORWARD THROW

SPECIALTY SERIES / FIXTURE OPTIONS

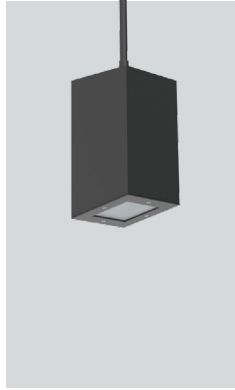


STANDARD FINISHES

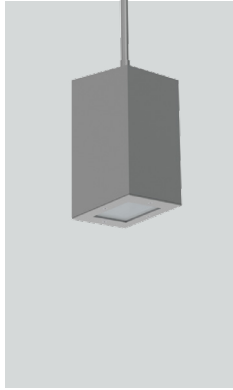
MW
MATTE WHITE



MB
MATTE BLACK

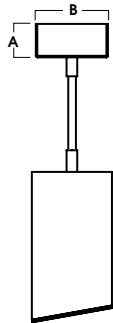
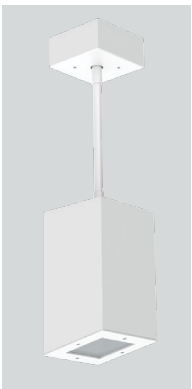


PT
PLATINUM SILVER



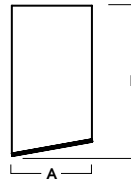
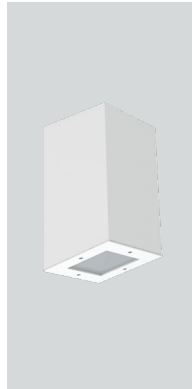
MOUNTING TYPES

HM / PM / AT
HANG STRAIGHT / PENDANT / ALL THREAD



A	B
2.5	5.4
63.5 mm	137.2 mm

SM
SURFACE MOUNT



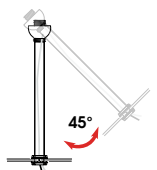
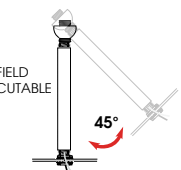
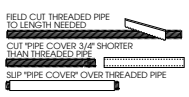
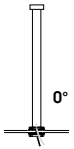
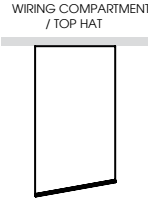
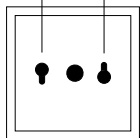
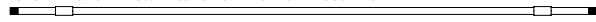
A	B
6.0	11.1
152.4 mm	281.9 mm

STANDARD MOUNTING & ACCESSORIES

SOME OPTIONS NOT AVAILABLE ON ALL FIXTURES. CONSULT SPECIFICATION SHEETS. SEE INDIVIDUAL SPECIFICATION SHEETS OR CONSULT FACTORY FOR ADDITIONAL INFORMATION. NOTE: THIS IS TYPICAL OF CYLINDERS SPECIFICATION FOR PENDANT MOUNTING. INDIVIDUAL FIXTURES OR PROJECTS MAY HAVE SPECIALIZED REQUIREMENTS.

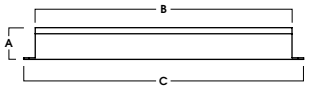


MOUNTING TYPES

<p>HM* HANG STRAIGHT 45° SWIVEL 1/2" STEM - 3/8" NPT</p>  <p>ORDER: HM (Length) SPECIFY LENGTH: HM3 - 3" HM24 - 24" HM6 - 6" HM36 - 36" HM12 - 12" HM48 - 48" HM18 - 18" HM72 - 72" HMLC(XX) Custom Length (Specify in Inches)</p>	<p>AT** HANG STRAIGHT ALL THREAD 45° SWIVEL 1/2" STEM - 1/4" IP</p> <p>FIELD CUTTABLE</p>  <p>ORDER: AT (Length) SPECIFY LENGTH: AT12 - 12" AT24 - 24" AT36 - 36" ATLC(XX) Custom Length (Specify in Inches)</p> 	<p>PM* RIGID PENDANT MOUNT RIGID 1/2" STEM - 3/8" NPT</p>  <p>ORDER: PM (Length) SPECIFY LENGTH: PM3 - 3" PM24 - 24" PM6 - 6" PM36 - 36" PM12 - 12" PM48 - 48" PM18 - 18" PM72 - 72" PMLC(XX) Custom Length (Specify in Inches)</p>	<p>SM SURFACE MOUNT WIRING COMPARTMENT / TOP HAT</p>  <p>ORDER: SM TOP VIEW CANOPY</p>  <p>KEY SLOTS MOUNT CANOPY TO WALL JUNCTION BOX. JUNCTION BOX IS COVERED.</p>
<p>*MAXIMUM ONE PIECE STEM LENGTH IS 72". **MAXIMUM ONE PIECE STEM LENGTH IS 36". LONGER LENGTHS ARE POSSIBLE USING MULTIPLE STEMS AND COUPLERS.</p> 			

REMOTE EMERGENCY BATTERY OPTIONS

EMRM* - 7W REMOTE EMERGENCY BATTERY (50' MAX)



A	B	C
1.3	12.6	13.0

*OTHER EM BATTERY SIZES AVAILABLE. CONSULT FACTORY

COLOR OPTIONS - POWDER COAT PAINT FINISHES

NOTE: NO PRINTED IMAGE CAN EQUAL THE EXACT COLOR OF FINISH ON METAL.
SEE INDIVIDUAL SPECIFICATION SHEETS OR CONSULT FACTORY FOR ADDITIONAL INFORMATION.



STANDARD CORD / STEM / CANOPY FINISHES

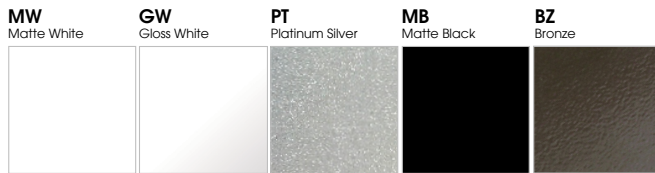
FIXTURE COLOR	STANDARD CORD COLOR	STANDARD CANOPY / STEM COLOR
Matte White, Textured White	Matte White	Matte White
Gloss White	Matte White	Gloss White
Matte Black, Textured Black	Matte Black	Matte Black
All Others	Matte Black	Same Color as Fixture
Custom Color	Contact Factory	Contact Factory

PAINT TIMES

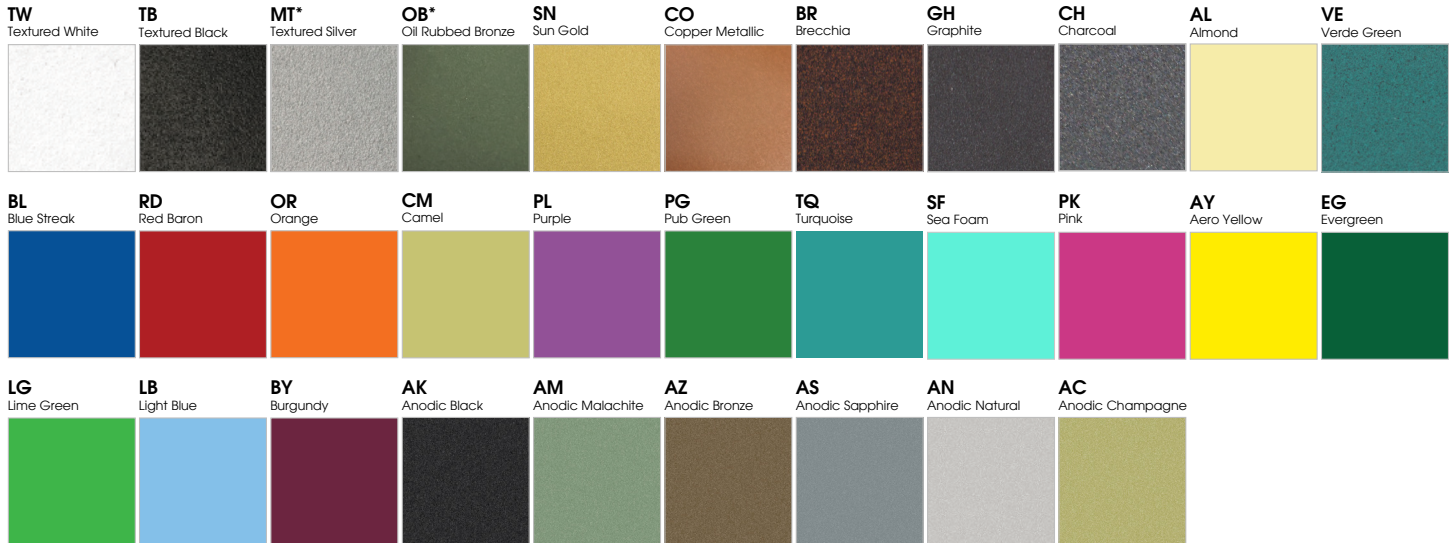
TIER	COST	AVERAGE PAINT TIME*
Tier 1 - Standard Finishes	\$	⓪
Tier 2 - Typical Finishes	\$\$	⓪⓪
Custom Color	Contact Factory	Contact Factory

*CONTACT FACTORY FOR SPECIFIC PRODUCT LEAD TIMES

TIER 1 - STANDARD FINISHES



TIER 2 - TYPICAL FINISHES



CUSTOM COLOR FINISHES

CONTACT FACTORY

CC
Custom Color



*UNAVAILABLE FOR WET LOCATION