



12" ROUND DIRECT GENERAL ILLUMINATION



C1216GV - CEILING MOUNT

APPLICATION

12" round x 16" high pendant for auditorium and area lighting.

FEATURES

Architectural high performance LED Cylinder luminaire. Designed to illuminate auditoriums, houses of worship and other spaces where LED color quality and control are required. This series offers .01% dim to black as well as DMX, ELV and DALI dimming. Rugged design with flexible mounting, finish and LED options make these extremely versatile fixtures.

FINISH

Multi-stage polyester powder-coat process applied on our dedicated paint lines. See mounting and color pages for standard finishes. All exposed materials are chromate pretreated to resist corrosion.

ELECTRONICS

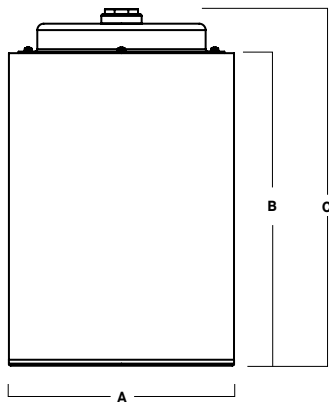
GV LED system features high brightness white Samsung LED's. 3-step MacAdam Ellipse binning. Standard CRI: 85+. Higher CRI, R9 and custom LED configurations are available; consult factory. Variety of electronic 120V/277V and dimming drivers. DMX controls available.

CONSTRUCTION

Fabricated seamless aluminum fixture housing. Specular primary optical reflectors provide high efficiency illumination. Stainless steel hardware with galvanized steel brackets to resist corrosion. One piece reflector trim spun from .063 thick high purity aluminum and finished to specification.

CODE COMPLIANCE

BAA compliant. ETL certified to meet US and Canadian standards. Suitable for dry or damp locations. Wet Location Option. Manufactured and tested to UL standards No. 1598/8750.



A	B	C
11.7	16.1	17.6
297.2 mm	408.9 mm	447.0 mm

LUMENS / WATTAGE DATA				
PART NUMBER	SOURCE LUMENS ¹	DELIVERED LUMENS ²	SYSTEM WATTS	LPW
C1216GV15L	1500	1041	10	104
C1216GV27L	2700	1818	18	101
C1216GV37L	3700	2666	26	103
C1216GV55L	5500	3927	39	101

SERIES	LUMENS ¹	CCT	DRIVER / DIMMING ³	OPTIONS ⁷	TRIM	MOUNTING ¹¹	FINISH ¹⁶	
C1216GV	15L	1500 Lm	27K 2700K	FS Fuse Holder and Fuse WL⁸ Wet Location	TSG⁹ Semi Diffuse Low Iridescent Clear TCY Same Color as Cylinder TCC Custom Color	HM^{12/13} Hang Straight PM^{12/13} Rigid Pendant Mount AT^{12/13} Hang Straight All Thread CD3X^{12/13/14} 3X Cord / Cable Mount SM Surface Mount CQD⁶ DMX Large Driver Canopy EMERGENCY BATTERY OPTIONS EMIT¹⁵ 7W Emergency Battery Test Switch EMRM 7W Remote EM	MW¹⁷ Matte White MB¹⁷ Matte Black PT¹⁷ Platinum Silver CC Custom Color	
	27L	2700 Lm	30K 3000K					EX Electronic Driver, 120V/277V DS10X 10%, 0-10V, 120V/277V DO10X 1%, 0-10V, 120V/277V DS2W1 ELV / MLV, 120V DLTE1¹ Lutron 2-Wire Forward Phase (MLV), 120V DL3EX⁴ 1%, Lutron® EcoSystem® Fade, 120V/277V ED01X 0.1%, eldoLED 120V/277V DALIX DALI Control DMXS^{5/6} DMX Standard Configuration DMXC^{5/6} DMX Non-Standard Custom
	37L	3700 Lm	35K 3500K					
	55L	5500 Lm	40K 4000K 50K 5000K					

EXAMPLE: C1216GV55L35KDS10X/TSGSO/SM/GH

NOTES:

1 Nominal Source Lumens at 35K 2 Nominal Delivered Lumens at 35K with TSG-SO 3 Contact Factory for Additional Options 4 37L Max 5 Contact Factory 6 CQD Required for DMXS/C 7 See Product Options Page For Details
 8 Wet Location Unavailable with CD 9 Standard Finish 10 Standard Lens 11 See Mounting Page for Details on Components and Finishes 12 Specify Length in Inches: See Mounting Page for Available Lengths 13 Not for Use in Locations with Wind Exposure
 14 EMxxxx Option Requires 2 Cords/Not Available for WL 15 EMIT Up to 37L 16 Reference Color Sheet Located on Product Webpage for Full List of Available Colors 17 Standard Finishes



PROJECT: _____
 TYPE: _____



Dimensions and values shown are nominal. Spectrum Lighting continually works to improve products and reserves the right to make changes which may alter the performance or appearance of products.

12" ROUND DIRECT

GENERAL ILLUMINATION / FIXTURE OPTIONS



STANDARD FINISHES

MW
MATTE WHITE



MB
MATTE BLACK

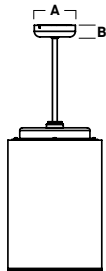


PT
PLATINUM SILVER



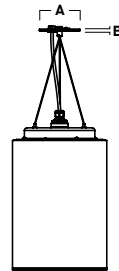
MOUNTING TYPES

HM / PM / AT
HANG STRAIGHT / PENDANT / ALL THREAD



A	B
5.0	1.5
127.0 mm	38.1 mm

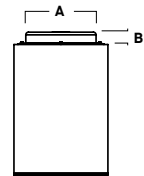
CD3X
3X CORD / CABLE MOUNT



A	B
5.0	.25
127.0 mm	6.4 mm

*Not Available for Wet Location

SM
SURFACE MOUNT



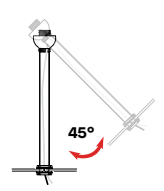
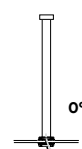
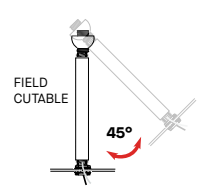
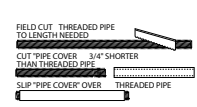
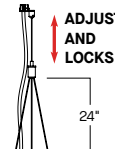
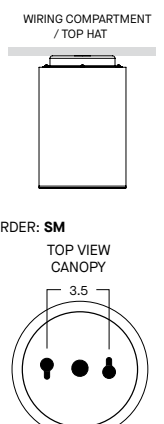
A	B
8.7	1.6
221.0 mm	40.6 mm

STANDARD MOUNTING & ACCESSORIES

SOME OPTIONS NOT AVAILABLE ON ALL FIXTURES, CONSULT SPECIFICATION SHEETS. SEE INDIVIDUAL SPECIFICATION SHEETS OR CONSULT FACTORY FOR ADDITIONAL INFORMATION. NOTE: THIS IS TYPICAL OF CYLINDERS SPECIFICATION FOR PENDANT MOUNTING. INDIVIDUAL FIXTURES OR PROJECTS MAY HAVE SPECIALIZED REQUIREMENTS.



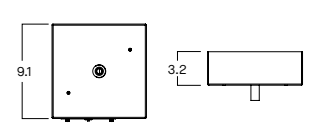
MOUNTING TYPES

<p>HM* HANG STRAIGHT 45° SWIVEL 5/8" OD STEM - 3/8" IP</p>  <p>ORDER: HM (Length) SPECIFY LENGTH: HM3 - 3" HM24 - 24" HM6 - 6" HM36 - 36" HM12 - 12" HM48 - 48" HM18 - 18" HM72 - 72" HMLC(XX) Custom Length (Specify in Inches)</p>	<p>PM* RIGID PENDANT MOUNT RIGID 5/8" OD STEM - 3/8" IP</p>  <p>ORDER: PM (Length) SPECIFY LENGTH: PM3 - 3" PM24 - 24" PM6 - 6" PM36 - 36" PM12 - 12" PM48 - 48" PM18 - 18" PM72 - 72" PMLC(XX) Custom Length (Specify in Inches)</p>	<p>AT** HANG STRAIGHT ALL THREAD 45° SWIVEL 5/8" OD STEM - 1/4" IP</p>  <p>ORDER: AT (Length) SPECIFY LENGTH: AT12 - 12" AT24 - 24" AT36 - 36"</p> 	<p>CD3X CORD / CABLE MOUNT SJ CORD WITH 1/16 SS CABLE</p>  <p>ORDER: CDX3 (Length) SPECIFY LENGTH: CD3x36 - 36" CD3x72 - 72" CD3x144 - 144" CDLC3X(XX) Custom Length (Specify in Inches)</p>	<p>SM SURFACE MOUNT WIRING COMPARTMENT / TOP HAT</p>  <p>ORDER: SM TOP VIEW CANOPY 3.5 KEY SLOTS MOUNT CANOPY TO WALL JUNCTION BOX. JUNCTION BOX IS COVERED.</p>
--------------------------------------------------------------------------------------------------------------------------------------------------------------------------------------------------------------------------------------------------------------------------------------------------------------------------------------------------------------------------------------------------------------------------------------------------------	---------------------------------------------------------------------------------------------------------------------------------------------------------------------------------------------------------------------------------------------------------------------------------------------------------------------------------------------------------------------------------------------------------------------------------------------------------	----------------------------------------------------------------------------------------------------------------------------------------------------------------------------------------------------------------------------------------------------------------------------------------------------------------------------------------------------------------------------------	---------------------------------------------------------------------------------------------------------------------------------------------------------------------------------------------------------------------------------------------------------------------------------------------------------------------------------------------------------------	---------------------------------------------------------------------------------------------------------------------------------------------------------------------------------------------------------------------------------------------------------------------------------------

*MAXIMUM ONE PIECE STEM LENGTH IS 72". **MAXIMUM ONE PIECE STEM LENGTH IS 36". LONGER LENGTHS ARE POSSIBLE USING MULTIPLE STEMS AND COUPLERS.

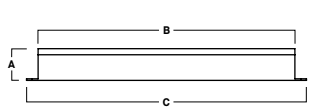
DMX OPTION

CQD - LARGE DRIVER CANOPY FOR DMX OPTIONS



REMOTE EMERGENCY BATTERY OPTIONS

EMRM* - 7W REMOTE EMERGENCY BATTERY (50' MAX)



A	B	C
1.3	12.6	13.0

*OTHER EM BATTERY SIZES AVAILABLE, CONSULT FACTORY

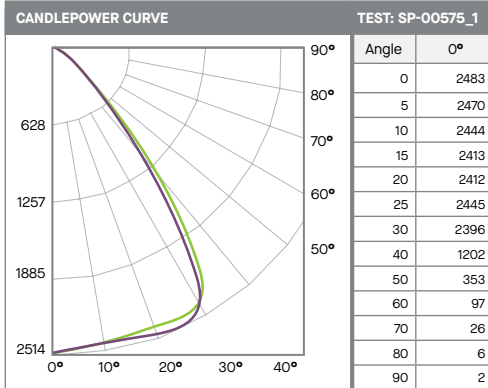
12" ROUND DIRECT

GENERAL ILLUMINATION / PHOTOMETRIC DATA



C12xxGV-55L35K-EX-TSG-SO

55L - 85 CRI



Beam Angle	Lumens	%
0-10	236	6%
0-20	931	24%
0-30	2071	53%
0-40	3190	81%
0-60	3853	98%
0-80	3923	100%
0-90	3927	100%
Total Lumens	3927	100%

Mounting Height*	FC at Center	Diameter of Beam**	FC at Beam**
5.5'	82	7.7'	28
6.5'	59	9.1'	20
7.5'	44	10.5'	15
8.5'	34	11.9'	12
10.0'	25	14.0'	8
12.0'	17	16.8'	6
14.0'	13	19.6'	4
16.0'	10	22.4'	3

* From aperture to horizontal surface below.
 ** At IESNA defined Beam Angle, to 50% Max. CP.

Green: 0-180
 Purple: 45-225

Delivered Lumens: 3927 CP @ 0° (Nadir): 2483
 Luminaire Watts: 39 Beam Angle: 70°
 LER: 101 CRI: 84

Spacing Ratio: 1.32
 Output Multipliers: 15L x 0.27, 27L x 0.49, 37L x 0.67