

### RAFO6XT - TRIM FLANGE / NON-IC RATED

#### APPLICATION

Versatile 6" Round aperture recessed LED accent light with a wide range of lumens and optical controls. Tilts and locks to 30°. Rotates and locks 360°.

#### FEATURES

LED module tilts 30°, rotates 360°. Two-stage optical system for smooth light distribution and focus control. Quick change LED module with interchangeable optics for job site adjustment and fixture maintenance. Shallow plenum design. Tool-less driver and j-box access. Posi-lock trim retention torsion springs.

#### TRIM FINISH

A variety of architectural powdercoat and anodized finishes are available.

Matte white flange is standard.

#### ELECTRONICS

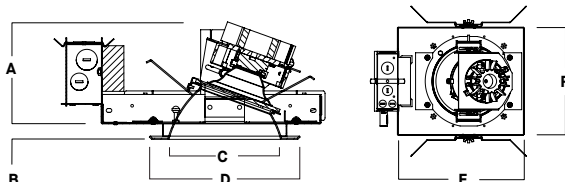
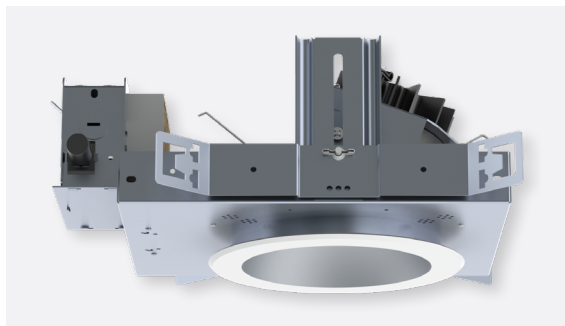
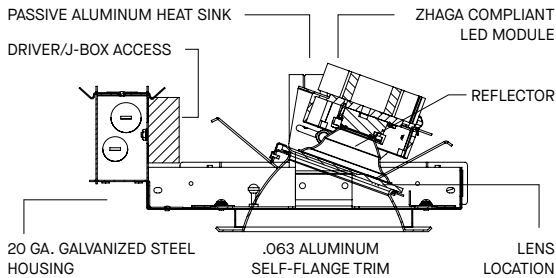
LED system features Xicato LED module with proprietary phosphor technology that provides consistent, stable color with CCT control of +/- 100K over life of the light engine. Base CRI is 83 with 2-step MacAdam Ellipse binning. High CRI is 98 with 1x2-step MacAdam Ellipse binning. Variety of electronic 120V/277V and dimming drivers.

#### CONSTRUCTION

Housing/frame constructed of #20 ga. galvanized steel to resist corrosion. Self-Flanged one piece trim spun from 0.063" thick high purity aluminum and finished to specification.

#### CODE COMPLIANCE

BAA Compliant. Non-IC rated. ETL certified to meet US and Canadian standards. Suitable for dry or damp locations. Optional Wet location. Manufactured and tested to UL standards No. 1598/8750.



A	B	C	D	E	F
10L-20L: 5.3	.625	6.0	7.5	13.2	9.5
30L-50L: 6.2	15.2 mm	152.4 mm	191.0 mm	335.3 mm	241.3 mm

WATTAGE TO LUMENS UPDATE					
CURRENT CAT. NUMBER EXAMPLE	PREVIOUS CAT. NUMBER EXAMPLE	SOURCE LUMENS <sup>1</sup>	DELIVERED LUMENS <sup>2</sup>	SYSTEM WATTS	LPW
RAFO6XT10L	RAFO6LEDX115W	1000	833	11.1	75
RAFO6XT13L	RAFO6LEDX120W	1300	1122	15.0	75
RAFO6XT20L	RAFO6LEDX133W	2000	1727	23.7	73
RAFO6XT30L	RAFO6LEDX152W	3000	2590	34.6	75
RAFO6XT40L	N/A	4000	3324	39.9	83
RAFO6XT50L	N/A	5000	4316	54.0	80

SERIES	LUMENS <sup>1</sup>	CCT	OPTICS	DRIVER / DIMMING / VOLTAGE <sup>4</sup>	OPTIONS <sup>7</sup>	TRIM	FINISH	TRIM OPTIONS <sup>13</sup>			
RAFO6XT	83 CRI		XN <sup>3</sup> 10° ND 26° MD 45° WD 50° XW 55°	E Electronic Driver DS10_ 10% 0-10V DO10_ 1% 0-10V DS2W1 1%, ELV/MLV, 120V DL3E_5 1% Lutron® EcoSystem®, Fade EL10_ 1%, eldoLED ED01_ 0.1%, eldoLED DALI DALI Control DMXS_6 DMX Standard Configuration DMXC_6 DMX Non-Standard Custom	1 120V 2 277V	BH27 <sup>8</sup> 27" Solid Bars H12 12" - 24" Expandable Bars HO6 6" - 12" Expandable Bars CB24 24" C-Channel Bars EM Integral Emergency Battery FS Fusing EB Black Housing CR Corrosion Resistant PR <sup>11</sup> Deep Ceiling Extension GR Goof Ring AMB Anti Microbial Finish	RA6FXT <sup>10</sup>	SG <sup>11</sup> Semi-Diffuse HZ Haze Full Diffuse MW Matte White MB Matte Black PT Platinum Silver OB Oil Rubbed Bronze CH Charcoal AC Anodic Champagne AS Anodic Sapphire AM Anodic Malachite SN Sun Gold CO Copper Metallic GH Graphite AMB Anti Microbial Finish CC <sup>12</sup> Custom Color	SOX <sup>14</sup> Micro Prism Solite™ Lens GLX <sup>15</sup> Clear Glass Lens PGX Prismatic Glass Lens FGX Frosted Glass Lens SOW Micro Prism Solite™ Lens Wet Location GLW Clear Glass Lens Wet Location PGW Prismatic Glass Lens Wet Location FGW Frosted Glass Lens Wet Location PF <sup>16</sup> Polished Flange		
	10L	1000 Lm								27K	2700K
	13L	1300 Lm								30K	3000K
	20L	2000 Lm								35K	3500K
	30L	3000 Lm								40K	4000K
	40L	4000 Lm									
	50L	5000 Lm									
	98 CRI										
	10L	1000 Lm	27HK	2700K							
	13L	1300 Lm	30HK	3000K							
	20L	2000 Lm	35HK	3500K							
	30L	3000 Lm	40HK	4000K							

#### EXAMPLE: RAFO6XT13L35KNDE1/BH27/RA6FXTSG

**NOTES:**  
 1 Nominal Source Lumens at Any CCT 2 Nominal Delivered Lumens 83 CRI at Any CCT with ND-SG, No Lens, Aimed at 0° 3 XN 13L Max at 83 and 98 CRI 4 Contact Factory for Additional Options 5 50L Not Available with Lutron Drivers 6 Contact Factory  
 7 See Product Options Page for Details 8 Standard Bar Hangers 9 Contact Factory 10 "F" Indicates Self-Flange Trim, Matte White Standard 11 Standard Finish 12 Contact Factory for Special Finishes 13 Contact factory for Special Lenses/Louvers  
 14 Standard Lens for MD, WD, XW 15 Standard Lens for XN and ND 16 Flange and Reflector Same Finish

PROJECT: \_\_\_\_\_

QUANTITY: \_\_\_\_\_ TYPE: \_\_\_\_\_

