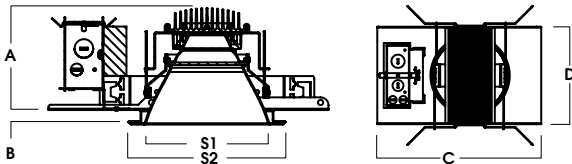
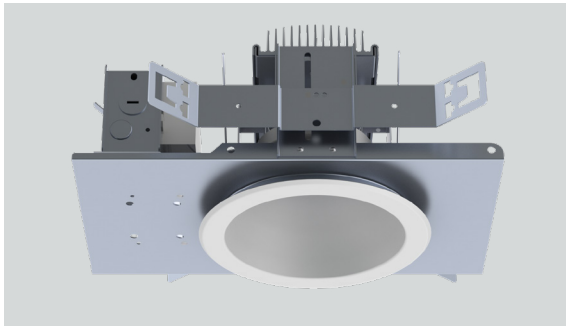
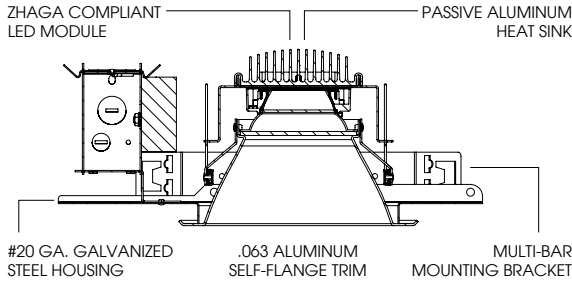


8" ROUND DOWNLIGHT FX SERIES / 4000 LUMENS MAX



A	B	C	D	S1	S2
4.7 119.4 mm	.625 15.9 mm	14.0 355.6 mm	9.4 238.8 mm	7.5 190.5 mm	9.1 231.1 mm

SGE8LEDFX - TRIM FLANGE / NON-IC RATED

APPLICATIONS

FX series 8" diameter downlights, designed for general downlighting with smooth light distribution.

FEATURES

Shallow plenum construction. Wide range of apertures. Companion retrofit and remodel fixtures available. Auto dim thermal protector for long term reliability. Zhaga international standard LED module for ease of maintenance and future replacement. Tool-less LED module, driver, and J-Box access. Multi-Bar mounting brackets, fit a variety of mounting bars. Posi-lock trim retention torsion springs. Integral 5/8" (.625) collar, works in ceiling up to 1" Deep. BH27 Standard mounting bars included. Intended for Non-IC new construction.

FINISH

Variety of powdercoat and anodized finishes available. Matte white flange is standard.

ELECTRONICS

LED system features high efficacy Philips LEDs. Standard CRI is >80. Drivers are overload and short circuit protected as well as thermally regulated. Sound rating A.

CONSTRUCTION

Housing/frame constructed of #20 ga. galvanized steel to resist corrosion. Self-flanged one piece trim spun from 0.063 3002 high purity aluminum and finished to specification. Passive machined aluminum heatsink.

CODE COMPLIANCE

ENERGY STAR® Certified when used with SG or MW trims only. BAA Compliant. Non-IC New Construction only. ETL certified to meet US and Canadian standards. Suitable for dry or damp locations. Optional Wet location listed trim. LM79/LM80 data available. Manufactured and tested to UL standards No. 1598/8750.

RATED LIFE

Rated for 60,000 Hours at 70% lumen maintenance. (L70)

LUMENS / WATTAGE DATA

PART NUMBER	SOURCE LUMENS ¹	DELIVERED LUMENS ²	SYSTEM WATTS	LPW
SGE8LEDFX10L	1000	842	9.2	92
SGE8LEDFX15L	1500	1302	13.1	99
SGE8LEDFX20L	2000	1736	17	102
SGE8LEDFX30L	3000	2552	25	102
SGE8LEDFX40L	4000	3446	34.6	100

SERIES	LUMENS ¹	CCT	DRIVER / VOLTAGE	OPTIONS	TRIM	FINISH	TRIM OPTIONS
SGE8LEDFX	10L 1000 Lm	27K 2700K	DX 1%, 0-10V, 120V/277V	BH27³ 27" Solid Bars H12 12" - 24" Expandable Bars H06 6" - 12" Expandable Bars CB24 24" C-Channel Bars EM Integral Emergency Battery EMRM⁴ Remote Emergency Battery Pack FS Fusing CR Corrosion Resistant PR⁵ Deep Ceiling Extension	AR8223FX	MW Matte White MB Matte Black SG Semi-Diffuse PT Platinum Silver CC⁶ Custom Color	WF White Flange MF⁷ Matching Flange SO⁸ Micro Prism Solite™ Lens SOW Micro Prism Solite™ Lens Wet Location
	15L 1500 Lm	30K 3000K					
	20L 2000 Lm	35K 3500K					
	30L 3000 Lm	40K 4000K					
	40L 4000 Lm						

EXAMPLE: SGE8LEDFX30L30KDX/BH27/AR8223FXMWMF50

NOTES:
 1 Nominal Source Lumens at 35K 2 Nominal Delivered Lumens at 35K with MW-SO Trim 3 Standard Bar Hangers 4 Installer Responsible for EM Access 5 Contact Factory 6 Contact Factory for Special Finishes
 7 Flange Same Color as Inside of Trim 8 Standard Lens



PROJECT: _____
 TYPE: _____



Dimensions and values shown are nominal. Spectrum Lighting continually works to improve products and reserves the right to make changes which may alter the performance or appearance of products.

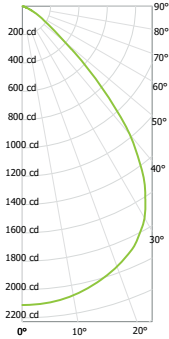
8" ROUND DOWNLIGHT FX SERIES / PHOTOMETRIC DATA

recessed
fixtures



SGE8LEDFX-40L35KDX-AR8223FX-MW-SO

CANDLEPOWER CURVE TEST SP-00746_M-40L



INTENSITY CANDELA 0° AZIMUTH

0°	0° - 10°	0° - 20°	0° - 30°	0° - 40°	0° - 60°	0° - 80°	0° - 90°	90°
2109	2109	773	1628	2548	3342	3441	3446	1

ZONAL LUMENS

0° - 10°	0° - 20°	0° - 30°	0° - 40°	0° - 60°	0° - 80°	0° - 90°	Total
203	773	1628	2548	3342	3441	3446	3446

SINGLE UNIT: PERFORMANCE DIRECT FOOTCANDLES BASED ON DOWNLIGHT ONLY

Mounting Height AFF	FC at Center on Floor	Beam Diameter	FC at Beam Edge
6.5'	50 fc	11.5'	11 fc
7.5'	38 fc	13.3'	8 fc
8.5'	29 fc	15.0'	6 fc
10.0'	21 fc	17.7'	4 fc
12.0'	15 fc	21.2'	3 fc
14.0'	11 fc	24.7'	2 fc
16.0'	8 fc	28.3'	2 fc
20.0'	5 fc	35.3'	1 fc

MULTIPLE UNITS: PERFORMANCE 80/50/20% REFLECTANCES INITIAL FOOTCANDLES AND WATTS PER SQUARE FOOT

Ceiling Height	Fixture Spacing	RCR 2		RCR 4	
		FC *	W/Sq. Ft.	FC *	W/Sq. Ft.
12'	8'	53	0.55	45	0.55
16'	10'	26	0.27	22	0.27
20'	12'	21	0.22	13	0.16
Delivered Illuminance Rating: (DIR)		97 FC per W/Sq. Ft.		81 FC per W/Sq. Ft.	
Recessed mounting Square rooms used for multiple units: RCR 2: Length & Width = Ceiling Ht. - 2.5' x 5.00 RCR 4: Length & Width = Ceiling Ht. - 2.5' x 2.50 * Average Footcandles at 2.5' Above Floor					

Delivered Lumens: **3446**
Luminaire Watts: **34.6**
LER: **99.60**

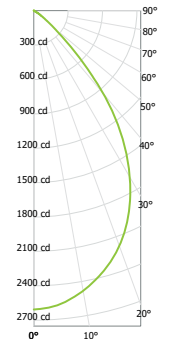
CP at 0° (Nadir): **2109**
CRI: **80+**

Beam Angle: **83°**
Spacing Ratio: **1.20**

Lumen Multiplier: 10L x 0.25, 15L x 0.38, 20L x 0.50, 30L x 0.74
CCT Multiplier: 27K x 0.95, 30K x 1.0, 40K x 1.08

SGE8LEDFX-40L35KDX-AR8223FX-SG-SO

CANDLEPOWER CURVE TEST SP-00746_1_M-40L



INTENSITY CANDELA 0° AZIMUTH

0°	0° - 10°	0° - 20°	0° - 30°	0° - 40°	0° - 60°	0° - 80°	0° - 90°	90°
2607	2607	906	1809	2671	3246	3263	3265	1

ZONAL LUMENS

0° - 10°	0° - 20°	0° - 30°	0° - 40°	0° - 60°	0° - 80°	0° - 90°	Total
246	906	1809	2671	3246	3263	3265	3265

SINGLE UNIT: PERFORMANCE DIRECT FOOTCANDLES BASED ON DOWNLIGHT ONLY

Mounting Height AFF	FC at Center on Floor	Beam Diameter	FC at Beam Edge
6.5'	62 fc	9.4'	17 fc
7.5'	46 fc	10.8'	13 fc
8.5'	36 fc	12.2'	10 fc
10.0'	26 fc	14.4'	7 fc
12.0'	18 fc	17.3'	5 fc
14.0'	13 fc	20.2'	4 fc
16.0'	10 fc	23.1'	3 fc
20.0'	7 fc	28.8'	2 fc

MULTIPLE UNITS: PERFORMANCE 80/50/20% REFLECTANCES INITIAL FOOTCANDLES AND WATTS PER SQUARE FOOT

Ceiling Height	Fixture Spacing	RCR 2		RCR 4	
		FC *	W/Sq. Ft.	FC *	W/Sq. Ft.
12'	8'	51	0.55	44	0.55
16'	10'	35	0.37	22	0.27
20'	12'	21	0.22	13	0.16
Delivered Illuminance Rating: (DIR)		93 FC per W/Sq. Ft.		80 FC per W/Sq. Ft.	
Recessed mounting Square rooms used for multiple units: RCR 2: Length & Width = Ceiling Ht. - 2.5' x 5.00 RCR 4: Length & Width = Ceiling Ht. - 2.5' x 2.50 * Average Footcandles at 2.5' Above Floor					

Delivered Lumens: **3265**
Luminaire Watts: **34.6**
LER: **94.36**

CP at 0° (Nadir): **2607**
CRI: **80+**

Beam Angle: **73°**
Spacing Ratio: **1.02**

Lumen Multiplier: 10L x 0.25, 15L x 0.38, 20L x 0.50, 30L x 0.74
CCT Multiplier: 27K x 0.95, 30K x 1.0, 40K x 1.08