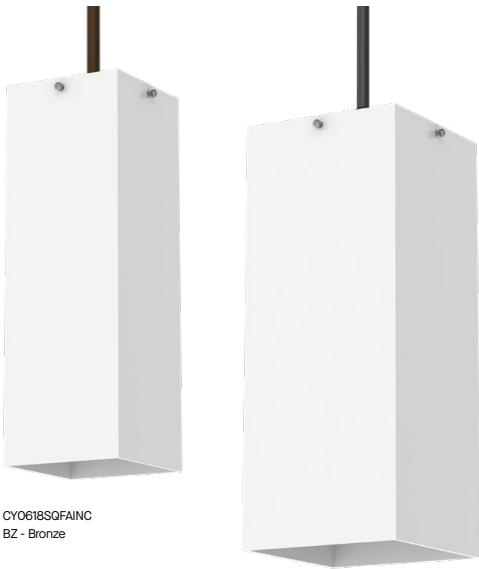




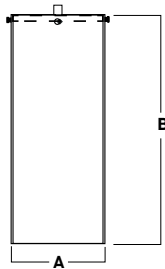
QUADRO 6" / 8" PENDANT
INCANDESCENT
 QUADRO

PROJECT: _____
 QUANTITY: _____ TYPE: _____



CY0618SQFAINC
BZ - Bronze

CY0820SQFAINC
MB - Matte Black



SERIES	A	B
CY0618SQFAINC	6.0	18.0
CY0820SQFAINC	8.0	20.0

CY-SQFAINC

APPLICATION

Quadro 6" and 8" Pendants features clean design for a variety of architectural area lighting applications. INC Series is designed for indoor damp locations.

FEATURES

Speclume series fixtures offer simple contemporary style with functional luminaire performance. All fixtures are designed and manufactured in our factory. Quadro series pendant is available in two sizes and are fabricated from opal acrylic. The opal shade glows warmly with no lamp image. A variety of finishes and mounting is available.

FINISH

Multi-stage polyester powder-coat process applied on our dedicated paint lines. A wide variety of standard and custom finishes are available. All exposed materials are chromate pretreated to resist corrosion.

ELECTRONICS

E26 Edison medium base 120V socket for incandescent or LED lamps.

CONSTRUCTION

Fixtures constructed of machined and formed aluminum and optical U.V. stabilized acrylic.

CODE COMPLIANCE

BAA compliant. ETL certified to meet US and Canadian standards. Suitable for dry or damp locations. Manufactured and tested to UL standards No. 1598/8750

SERIES	MOUNTING/OPTIONS ¹	FINISH ³
CY0618SQFAINC CY0820SQFAINC	HM_2 Hang Straight Pendant AT_2 Hang Straight All Thread PM_2 Pendant/Straight Mount CD_2 Cord and Cable Mount FS Fuse Holder and Fuse	MW⁴ Matte White MB⁴ Matte Black PT⁴ Platinum Silver CC Custom Color See Page 3 for Full Range of Color Options (83-90081)

EXAMPLE: CY0820SQFAINC/HM36/MW

NOTES:
 1 See Mounting Pages Options and Details on Components and Finishes 2 Specify Length in Inches: See Mounting Page for Available Lengths
 3 See Color Page for More Options/Consult Factory for Special Finishes 4 Standard Interior Finish

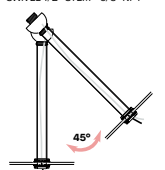
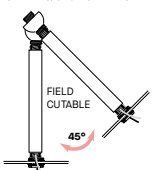

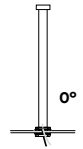
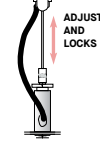


MOUNTING & ACCESSORIES

SOME OPTIONS NOT AVAILABLE ON ALL FIXTURES. CONSULT SPECIFICATION SHEETS. SEE INDIVIDUAL SPECIFICATION SHEETS OR CONSULT FACTORY FOR ADDITIONAL INFORMATION.
NOTE: THIS IS TYPICAL OF SPECULUME SPECIFICATION FOR PENDANT MOUNTING. INDIVIDUAL FIXTURES OR PROJECTS MAY HAVE SPECIALIZED REQUIREMENTS.



CEILING MOUNTING

<p>HM* HANG STRAIGHT 45° SWIVEL 1/2" STEM - 3/8" NPT</p>  <p>ORDER: HM (Length) SPECIFY LENGTH: HM3 - 3" HM24 - 24" HM6 - 6" HM36 - 36" HM12 - 12" HM48 - 48" HM18 - 18" HM72 - 72" HMLC(XX) Custom Length (Specify in inches)</p>	<p>AT** HANG STRAIGHT ALL THREAD 45° SWIVEL 5/8" OD STEM - 1/4" IP</p>  <p>ORDER: AT (Length) SPECIFY LENGTH: AT12 - 12" AT48 - 48" AT24 - 24" AT60 - 60" AT36 - 36" AT72 - 72"</p> <p><small>FIELD CUT INBREADED PIPE FIELD LENGTH NEEDED CUT PIPE COVERS USE SHORTER SLAM INBREADED PIPE SLIP PIPE COVER OVER INBREADED PIPE</small></p> 	<p>PM* RIGID PENDANT MOUNT RIGID 1/2" STEM - 3/8" NPT</p>  <p>ORDER: PM (Length) SPECIFY LENGTH: PM3 - 3" PM24 - 24" PM6 - 6" PM36 - 36" PM12 - 12" PM48 - 48" PM18 - 18" PM72 - 72" PMLLC(XX) Custom Length (Specify in inches)</p>	<p>CD CORD / CABLE MOUNT SJ CORD WITH 1/16 SS CABLE</p>  <p>ORDER: CD (Length) SPECIFY LENGTH: CD36 - 36" CD72 - 72" CD144 - 144" CDLC(XX) Custom Length (Specify in inches)</p>
--	--	--	---

*MAXIMUM ONE PIECE STEM LENGTH IS 72". **MAXIMUM ONE PIECE STEM LENGTH IS 36". LONGER LENGTHS ARE POSSIBLE USING MULTIPLE STEMS AND COUPLERS.
**ORDER IN 12" INCREMENTS, ODD SIZES MAY BE FIELD CUT



COLOR OPTIONS - POWDER COAT PAINT FINISHES

NOTE: NO PRINTED IMAGE CAN EQUAL THE EXACT COLOR OF FINISH ON METAL.
SEE INDIVIDUAL SPECIFICATION SHEETS OR CONSULT FACTORY FOR ADDITIONAL INFORMATION.



STANDARD CORD / STEM / CANOPY FINISHES

FIXTURE COLOR	STANDARD CORD COLOR	STANDARD CANOPY / STEM COLOR
Matte White, Textured White	Matte White	Matte White
Gloss White	Matte White	Gloss White
Matte Black, Gloss Black, Textured Black	Matte Black	Matte Black
All Others	Matte Black	Same Color as Fixture
Custom Color	Contact Factory	Contact Factory

PAINT TIMES

TIER	COST	AVERAGE PAINT TIME*
Tier 1 - Standard Finishes	\$	⌚
Tier 2 - Typical Finishes	\$\$	⌚⌚
Custom Color	Contact Factory	Contact Factory

*CONTACT FACTORY FOR SPECIFIC PRODUCT LEAD TIMES

TIER 1 - STANDARD FINISHES



TIER 2 - TYPICAL FINISHES



CUSTOM COLOR FINISHES

CONTACT FACTORY

CC
Custom Color



*UNAVAILABLE FOR WET LOCATION

