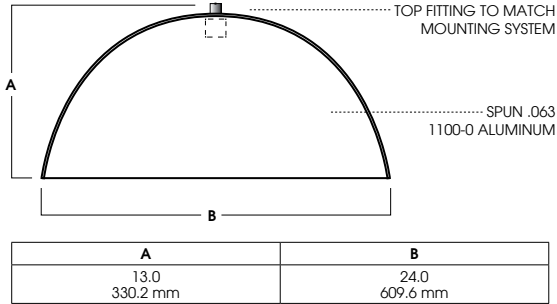




# HALF DOME

## 100 WATT INCANDESCENT



PROJECT: \_\_\_\_\_  
 QUANTITY: \_\_\_\_\_ TYPE: \_\_\_\_\_

### HD24INC

#### APPLICATION

Half dome hemisphere pendant for decorative area lighting.

#### FEATURES

Speculume series fixtures offers contemporary style with functional luminaire performance. All fixtures are designed and manufactured in our factory. A variety of lens, wattage and other options available.

#### FINISH

Multi-stage polyester powder-coat process applied on our dedicated paint lines. A wide variety of standard and custom finishes are available. All exposed materials are chromate pretreated to resist corrosion. Exterior may be finished in metallic finishes.

#### ELECTRONICS

Medium base E26 120V incandescent socket standard for Incandescent or LED lamps 120V. GU24 and GU10 option. Suitable for use with incandescent and LED lamps.

#### CONSTRUCTION

Fixtures are spun in our factory from 0.063 high purity aluminum.

#### CODE COMPLIANCE

BAA Compliant. ETL listed for damp locations. Optional Wet location. Manufactured and tested to UL standard No. 1598.

SERIES	OPTIONS	INTERIOR FINISH	MOUNTING <sup>2</sup>	OUTSIDE FINISH <sup>4</sup>
<b>HD24INC</b>	<b>GU24<sup>1</sup></b> GU24 Base Socket 120V <b>GU10</b> GU10 Base Socket 120V <b>MED</b> Medium Base	<b>MWI</b> Matte White <b>MBI</b> Matte Black <b>BZI</b> Bronze <b>OBI</b> Oil Rubbed Bronze <b>PTI</b> Platinum <b>SII</b> Silver <b>GAI</b> Galvanized <b>BAI</b> Brushed Aluminum <b>CHI</b> Charcoal <b>GHI</b> Graphite <b>AMI</b> Anodic Malachite <b>SNI</b> Sun Gold <b>VEI</b> Verde Green <b>BLI</b> Blue Streak <b>RDI</b> Red Baron <b>ORI</b> Orange <b>COI</b> Copper Metallic	<b>CP5</b> Flat Ceiling Canopy <b>CD<sup>3</sup></b> Cable and Cord Mounting <b>CM<sup>3</sup></b> Cord Mount <b>HM<sup>3</sup></b> Hang Straight Pendant <b>PM<sup>3</sup></b> Pendant/Straight Mount	<b>MW</b> Matte White <b>MB</b> Matte Black <b>GB</b> Gloss Black <b>BZ</b> Bronze <b>OB</b> Oil Rubbed Bronze <b>PT</b> Platinum <b>SI</b> Silver <b>GA</b> Galvanized <b>BA</b> Brushed Aluminum <b>CH</b> Charcoal <b>GH</b> Graphite <b>AM</b> Anodic Malachite <b>SN</b> Sun Gold <b>VE</b> Verde Green <b>BL</b> Blue Streak <b>RD</b> Red Baron <b>OR</b> Orange <b>CO</b> Copper Metallic

**EXAMPLE:** HD12INCGU24/ORI/CM36/BA

**NOTES:**  
 1 Requires CP13 Ballast Housing 2 See Mounting Page for Details 3 Specify Length in Inches: See Mounting Page for Available Lengths 4 Contact Factory for Special Finishes



# COLOR OPTIONS - POWDER COAT PAINT FINISHES

NOTE: NO PRINTED IMAGE CAN EQUAL THE EXACT COLOR OF FINISH ON METAL.  
SEE INDIVIDUAL SPECIFICATION SHEETS OR CONSULT FACTORY FOR ADDITIONAL INFORMATION.



## STANDARD CORD / STEM / CANOPY FINISHES

FIXTURE COLOR	STANDARD CORD COLOR	STANDARD CANOPY / STEM COLOR
Matte White, Textured White	Matte White	Matte White
Gloss White	Matte White	Gloss White
Matte Black, Gloss Black, Textured Black	Matte Black	Matte Black
All Others	Matte Black	Same Color as Fixture
Custom Color	Contact Factory	Contact Factory

## PAINT TIMES

TIER	COST	AVERAGE PAINT TIME*
Tier 1 - Standard Finishes	\$	⓪
Tier 2 - Typical Finishes	\$\$	⓪⓪
Tier 3 - Special Metal Finishes	\$\$\$	⓪⓪⓪
Custom Color	Contact Factory	Contact Factory

\*CONTACT FACTORY FOR SPECIFIC PRODUCT LEAD TIMES

## TIER 1 - STANDARD FINISHES



## TIER 2 - TYPICAL FINISHES



## TIER 3 - SPECIAL METAL FINISHES



## CUSTOM COLOR FINISHES

CONTACT FACTORY

**CC**  
Custom Color



\*UNAVAILABLE FOR WET LOCATION

\*\*UNAVAILABLE FOR INTERIOR

