



3" ROUND DIRECT PICO SERIES



C0310XT - CEILING MOUNT

APPLICATION

3" round x 10" high mini cylinder luminaire for accent and general illumination.

FEATURES

Spectrum's Cylinder series provides traditional architectural style with high performance and energy efficient illumination. Rugged design with flexible mounting, finish and LED options make these extremely versatile fixtures. Quick change LED module with interchangeable optics for job site flexibility and fixture upgrade.

FINISH

Multi-stage polyester powder-coat process applied on our dedicated paint lines. See mounting and color pages for standard finishes. All exposed materials are chromate pretreated to resist corrosion.

ELECTRONICS

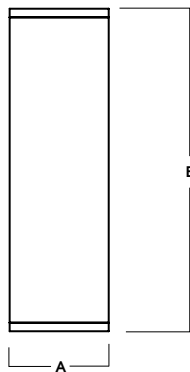
LED system features Xicato LED module with proprietary phosphor technology that provides consistent stable color with CCT control of +/- 100K over life of the light engine. Base CRI is 83 with 2-step MacAdam Ellipse binning. High CRI is 98 with 1 x 2-step MacAdam Ellipse binning. Variety of electronic 120V/277V and dimming drivers.

CONSTRUCTION

Fabricated seamless aluminum fixture housing. Specular primary optics provide high efficiency illumination. Stainless steel hardware with galvanized brackets to resist corrosion.

CODE COMPLIANCE

BAA compliant. ETL certified to meet US and Canadian standards. Suitable for dry or damp locations. Wet Location Option. Manufactured and tested to UL standards No. 1598/8750.



A	B
3.3 83.8 mm	10.6 269.2 mm

Fixture Weight: 4.2 lbs

LUMENS / WATTAGE DATA

PART NUMBER	SOURCE LUMENS ¹	DELIVERED LUMENS ²	SYSTEM WATTS ³	LPW
C0310XT7L	700	506	6.2	82
C0310XT10L	1000	675	9.1	74

SERIES	LUMENS ¹	CCT	OPTICS	DRIVER / DIMMING ⁵	OPTIONS ⁷	MOUNTING ¹¹	FINISH ¹⁷	
C0310XT	7L 700 Lm 10L 1000 Lm	83 CRI	XN ⁴ 12° ND 30° MD 33° WD 38°	EX Electronic Driver, 120V/277V DS10X 10%, 0-10V, 120V/277V DS2W1 ELV/MLV, 120V DMXS ⁶ DMX Standard Configuration DMXC ⁶ DMX Non-Standard Custom	WL ⁸ Wet Location CR Corrosion Resistant	RDC5 ¹² Small Driver Canopy CP13 Large Driver Canopy HM ^{13/14} Hang Straight AT ^{13/14} Hang Straight All Thread PM ^{13/14} Rigid Pendant Mount CD ^{8/13/15} Cord / Cable Mount SM ⁶ Surface Mount CGD ¹⁶ DMX Large Driver Canopy	MW ¹⁸ Matte White MB ¹⁸ Matte Black PT ¹⁸ Platinum Silver CC Custom Color	
		98 CRI						LENS NL ⁹ No Lens GL ⁹ Clear Glass Lens SO ¹⁰ Micro Prism Solite™ Lens
	27K 2700K 30K 3000K 35K 3500K 40K 4000K	EMERGENCY BATTERY OPTIONS EMCR ¹⁶ 10W Canopy Mounted EM EMRM 7W Remote EM EMEN 7W Remote with Enclosure	See Page 5 for Full Range of Color Options (83-90095)					
	27HK 2700K 30HK 3000K 35HK 3500K 40HK 4000K			EMERGENCY BATTERY OPTIONS EMCR ¹⁶ 10W Canopy Mounted EM EMRM 7W Remote EM EMEN 7W Remote with Enclosure	See Page 5 for Full Range of Color Options (83-90095)			
						EMERGENCY BATTERY OPTIONS EMCR ¹⁶ 10W Canopy Mounted EM EMRM 7W Remote EM EMEN 7W Remote with Enclosure	See Page 5 for Full Range of Color Options (83-90095)	
								EMERGENCY BATTERY OPTIONS EMCR ¹⁶ 10W Canopy Mounted EM EMRM 7W Remote EM EMEN 7W Remote with Enclosure
	EMERGENCY BATTERY OPTIONS EMCR ¹⁶ 10W Canopy Mounted EM EMRM 7W Remote EM EMEN 7W Remote with Enclosure	See Page 5 for Full Range of Color Options (83-90095)						

EXAMPLE: C0310XT10L35KMDEX/SO/RDC5PM36/PT

NOTES:

1 Nominal Source Lumens At Any CCT 2 Nominal Delivered Lumens at 83 CRI at Any CCT with MD-SO 3 At 83 CRI 4 XN not available with HK 5 Contact Factory for Additional Options 6 Contact Factory 7 See Product Options Page for Details 8 Wet Location Unavailable with NL, CD or SM 9 Standard Lens for XN, ND 10 Standard Lens for MD, WD 11 See Mounting Page for Details on Components and Finishes 12 Required 13 Specify Length in Inches: See Mounting Page for Available Lengths 14 Not for Use in Locations with Wind Exposure 15 EMxxx Option Requires 2 Cords 16 CGD/EMCR Replaces RDC5/CP13 17 See Color Page for More Options/Consult Factory for Special Finishes 18 Standard Finishes



PROJECT: _____
TYPE: _____



Dimensions and values shown are nominal. Spectrum Lighting continually works to improve products and reserves the right to make changes which may alter the performance or appearance of products.

3" ROUND DIRECT

PICO SERIES / FIXTURE OPTIONS



STANDARD FINISHES

MW
MATTE WHITE



MB
MATTE BLACK

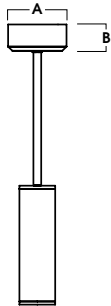


PT
PLATINUM SILVER



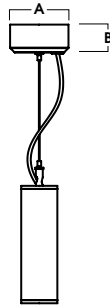
MOUNTING TYPES

HM / PM / AT
HANG STRAIGHT / PENDANT / ALL THREAD



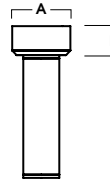
A	B
5.3	2.5
134.6 mm	63.5 mm

CD
CORD / CABLE MOUNT



A	B
5.3	2.5
134.6 mm	63.5 mm

SM
SURFACE MOUNT



A	B
5.3	2.5
134.6 mm	63.5 mm

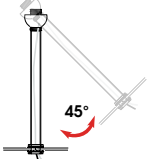
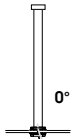
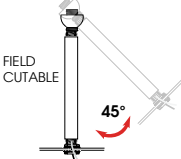

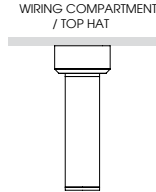
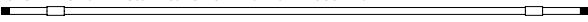


STANDARD MOUNTING & ACCESSORIES

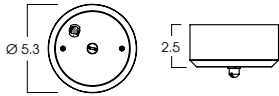
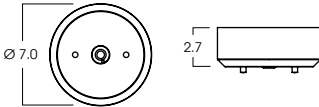
SOME OPTIONS NOT AVAILABLE ON ALL FIXTURES. CONSULT SPECIFICATION SHEETS. SEE INDIVIDUAL SPECIFICATION SHEETS OR CONSULT FACTORY FOR ADDITIONAL INFORMATION. NOTE: THIS IS TYPICAL OF CYLINDERS SPECIFICATION FOR PENDANT MOUNTING. INDIVIDUAL FIXTURES OR PROJECTS MAY HAVE SPECIALIZED REQUIREMENTS.



MOUNTING TYPES

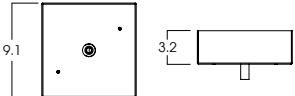
<p>HM* HANG STRAIGHT 45° SWIVEL 5/8" OD STEM - 3/8" IP</p>  <p>ORDER: HM (Length) SPECIFY LENGTH: HM3 - 3" HM24 - 24" HM6 - 6" HM36 - 36" HM12 - 12" HM48 - 48" HM18 - 18" HM72 - 72" HMLC(XX) Custom Length (Specify in Inches)</p>	<p>PM* RIGID PENDANT MOUNT RIGID 5/8" OD STEM - 3/8" IP</p>  <p>ORDER: PM (Length) SPECIFY LENGTH: PM3 - 3" PM24 - 24" PM6 - 6" PM36 - 36" PM12 - 12" PM48 - 48" PM18 - 18" PM72 - 72" PMLC(XX) Custom Length (Specify in Inches)</p>	<p>AT** HANG STRAIGHT ALL THREAD 45° SWIVEL 5/8" OD STEM - 1/4" IP</p>  <p>ORDER: AT (Length) SPECIFY LENGTH: AT12 - 12" AT24 - 24" AT36 - 36"</p> <p>FIELD CUT THREADED PIPE TO LENGTH NEEDED CUT PIPE COVER 3/4" SHORTER THAN THREADED PIPE SLIP PIPE COVER OVER THREADED PIPE</p>	<p>CD CORD / CABLE MOUNT SJ CORD WITH 1/16 SS CABLE</p>  <p>ORDER: CD (Length) SPECIFY LENGTH: CD36 - 36" CD72 - 72" CD144 - 144" CDLC(XX) Custom Length (Specify in Inches)</p>	<p>SM SURFACE MOUNT WIRING COMPARTMENT / TOP HAT</p>  <p>ORDER: SM TOP VIEW CANOPY 2.8</p> <p>KEY SLOTS MOUNT CANOPY TO WALL JUNCTION BOX. JUNCTION BOX IS COVERED.</p>
<p>*MAXIMUM ONE PIECE STEM LENGTH IS 72". **MAXIMUM ONE PIECE STEM LENGTH IS 36". LONGER LENGTHS ARE POSSIBLE USING MULTIPLE STEMS AND COUPLERS.</p> 				

DRIVER CANOPY OPTIONS

<p>RDC5 - SMALL DRIVER CANOPY (STANDARD)</p> 	<p>CP13 - LARGE DRIVER CANOPY</p> 
---	--

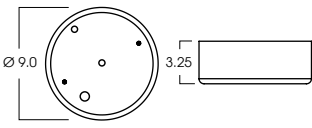
DMX OPTION

CQD - LARGE DRIVER CANOPY FOR DMX OPTIONS

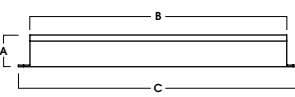
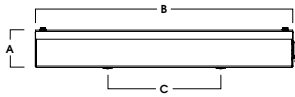


EMERGENCY BATTERY OPTIONS

EMCR - LARGE DRIVER CANOPY FOR 10W EMERGENCY BATTERY



REMOTE EMERGENCY BATTERY OPTIONS

<p>EMRM* - 7W REMOTE EMERGENCY BATTERY (50' MAX)</p>  <table border="1" data-bbox="576 1501 771 1543"> <thead> <tr> <th>A</th> <th>B</th> <th>C</th> </tr> </thead> <tbody> <tr> <td>1.3</td> <td>12.6</td> <td>13.0</td> </tr> </tbody> </table>	A	B	C	1.3	12.6	13.0	<p>EMEN* - 7W REMOTE EMERGENCY BATTERY WITH ENCLOSURE (50' MAX)</p>  <table border="1" data-bbox="933 1501 1128 1543"> <thead> <tr> <th>A</th> <th>B</th> <th>C</th> </tr> </thead> <tbody> <tr> <td>2.0</td> <td>17.0</td> <td>6.2</td> </tr> </tbody> </table>	A	B	C	2.0	17.0	6.2
A	B	C											
1.3	12.6	13.0											
A	B	C											
2.0	17.0	6.2											

*OTHER EM BATTERY SIZES AVAILABLE. CONSULT FACTORY

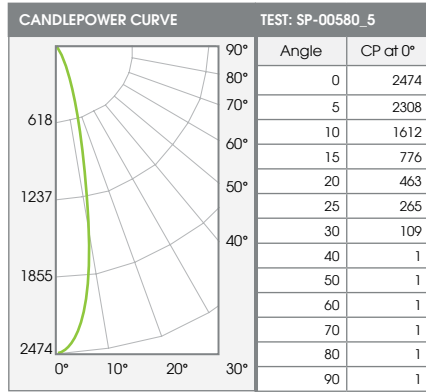


3" ROUND DIRECT

PICO SERIES / PHOTOMETRIC DATA



C0310XT-10LxxK-NDEX-GLxxMW



ZONAL LUMENS		
0-10	196	33%
0-20	440	74%
0-30	568	95%
0-40	590	99%
0-60	592	99%
0-80	594	100%
0-90	595	100%
Total Lumens	595	100%

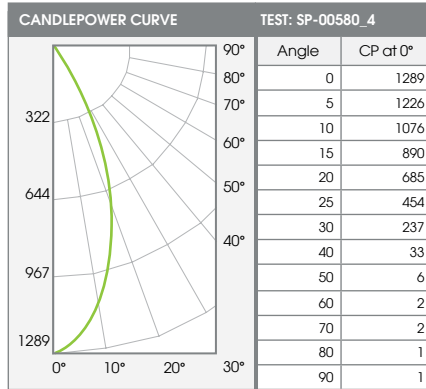
10L NARROW - 83 CRI

SINGLE UNIT: PERFORMANCE INITIAL FOOTCANDLES AND BEAM ANGLE DIAMETERS			
Mounting Height*	FC at Center	Diameter of Beam**	FC at Beam**
5.5'	82	2.4'	39
6.5'	59	2.8'	28
7.5'	44	3.3'	21
8.5'	34	3.7'	16
10.0'	25	4.3'	12
12.0'	17	5.2'	8
14.0'	13	6.1'	6
16.0'	10	6.9'	5

* From aperture to horizontal surface below.
** At IESNA defined Beam Angle, to 50% Max. CP.

Delivered Lumens: 595 CP @ 0° (Nadir): 2474 Spacing Ratio: 0.42
 Luminaire Watts: 9.1 Beam Angle: 24.5° Output Multipliers: 7L x 0.75
 LER: 65 CRI: 83

C0310XT-10LxxK-MDEX-SOxxMW



ZONAL LUMENS		
0-10	113	17%
0-20	364	54%
0-30	580	86%
0-40	654	97%
0-60	669	99%
0-80	673	100%
0-90	675	100%
Total Lumens	675	100%

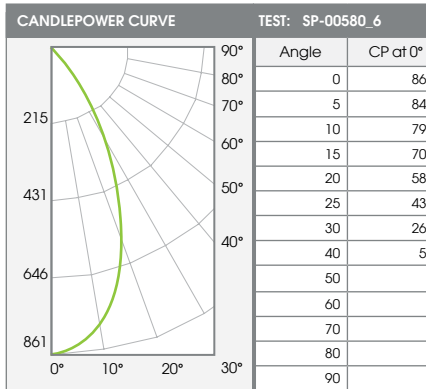
10L MEDIUM - 83 CRI

SINGLE UNIT: PERFORMANCE INITIAL FOOTCANDLES AND BEAM ANGLE DIAMETERS			
Mounting Height*	FC at Center	Diameter of Beam**	FC at Beam**
5.5'	43	4.2'	19
6.5'	31	5.0'	13
7.5'	23	5.7'	10
8.5'	18	6.5'	8
10.0'	13	7.6'	6
12.0'	9	9.1'	4
14.0'	7	10.7'	3
16.0'	5	12.2'	2

* From aperture to horizontal surface below.
** At IESNA defined Beam Angle, to 50% Max. CP.

Delivered Lumens: 675 CP @ 0° (Nadir): 1289 Spacing Ratio: 0.68
 Luminaire Watts: 9.1 Beam Angle: 41.7° Output Multipliers: 7L x 0.75
 LER: 74 CRI: 83

C0310XT-10LxxK-WDEX-SOxxMW



ZONAL LUMENS		
0-10	79	13%
0-20	276	46%
0-30	478	80%
0-40	571	96%
0-60	593	99%
0-80	596	100%
0-90	597	100%
Total Lumens	597	100%

10L WIDE - 83 CRI

SINGLE UNIT: PERFORMANCE INITIAL FOOTCANDLES AND BEAM ANGLE DIAMETERS			
Mounting Height*	FC at Center	Diameter of Beam**	FC at Beam**
5.5'	28	5.1'	12
6.5'	20	6.1'	8
7.5'	15	7.0'	6
8.5'	12	7.9'	5
10.0'	9	9.3'	4
12.0'	6	11.2'	2
14.0'	4	13.1'	2
16.0'	3	14.9'	1

* From aperture to horizontal surface below.
** At IESNA defined Beam Angle, to 50% Max. CP.

Delivered Lumens: 597 CP @ 0° (Nadir): 861 Spacing Ratio: 0.8
 Luminaire Watts: 9.1 Beam Angle: 50.0° Output Multipliers: 7L x 0.75
 LER: 66 CRI: 83



COLOR OPTIONS - POWDER COAT PAINT FINISHES

NOTE: NO PRINTED IMAGE CAN EQUAL THE EXACT COLOR OF FINISH ON METAL.
SEE INDIVIDUAL SPECIFICATION SHEETS OR CONSULT FACTORY FOR ADDITIONAL INFORMATION.



STANDARD CORD / STEM / CANOPY FINISHES

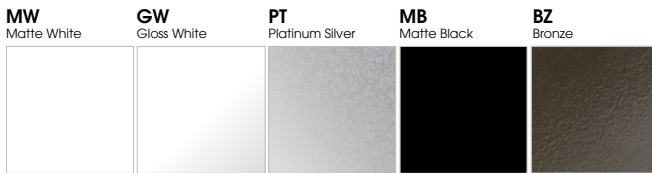
FIXTURE COLOR	STANDARD CORD COLOR	STANDARD CANOPY / STEM COLOR
Matte White, Textured White	Matte White	Matte White
Gloss White	Matte White	Gloss White
Matte Black, Textured Black	Matte Black	Matte Black
All Others	Matte Black	Same Color as Fixture
Custom Color	Contact Factory	Contact Factory

PAINT TIMES

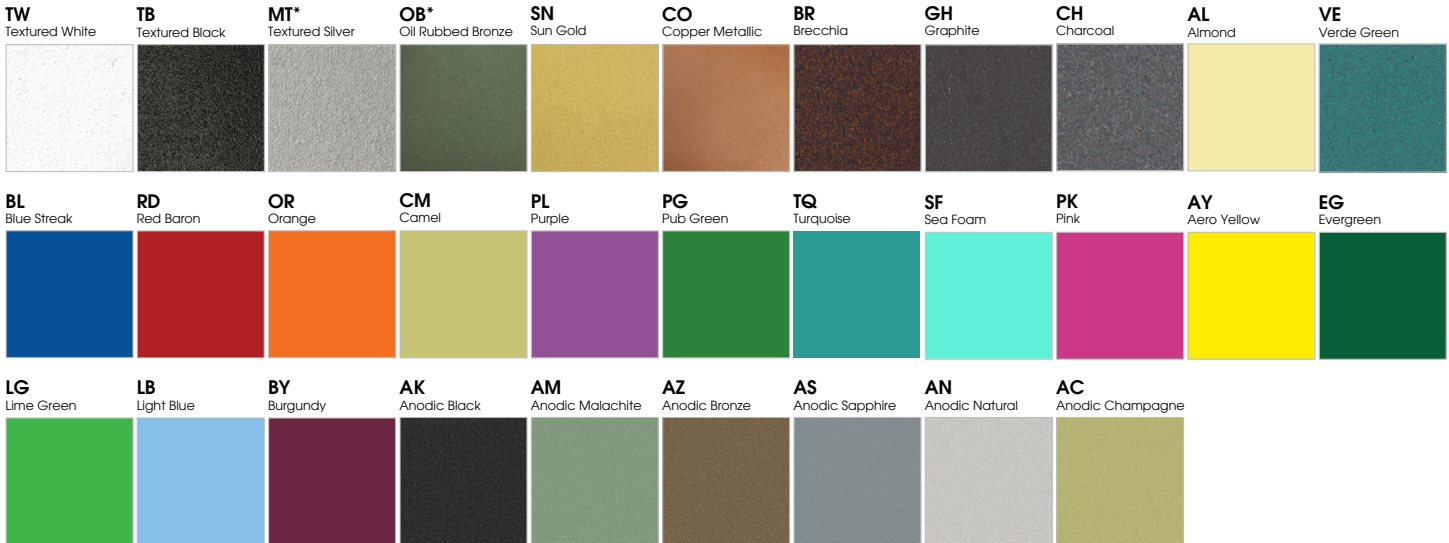
TIER	COST	AVERAGE PAINT TIME*
Tier 1 - Standard Finishes	\$	⌚
Tier 2 - Typical Finishes	\$\$	⌚⌚
Custom Color	Contact Factory	Contact Factory

*CONTACT FACTORY FOR SPECIFIC PRODUCT LEAD TIMES

TIER 1 - STANDARD FINISHES



TIER 2 - TYPICAL FINISHES



CUSTOM COLOR FINISHES

CONTACT FACTORY

CC
Custom Color



*UNAVAILABLE FOR WET LOCATION

