



## 3" ROUND DIRECT PICO SERIES



### C0310XT - CEILING MOUNT

#### APPLICATION

3" round x 10" high mini cylinder luminaire for accent and general illumination.

#### FEATURES

Spectrum's Cylinder series provides traditional architectural style with high performance and energy efficient illumination. Rugged design with flexible mounting, finish and LED options make these extremely versatile fixtures. Quick change LED module with interchangeable optics for job site flexibility and fixture upgrade.

#### FINISH

Multi-stage polyester powder-coat process applied on our dedicated paint lines. See mounting and color pages for standard finishes. All exposed materials are chromate pretreated to resist corrosion.

#### ELECTRONICS

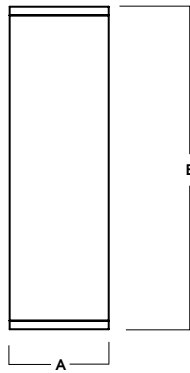
LED system features Xicato LED module with proprietary phosphor technology that provides consistent stable color with CCT control of +/- 100K over life of the light engine. Base CRI is 83 with 2-step MacAdam Ellipse binning. High CRI is 98 with 1 x 2-step MacAdam Ellipse binning. Variety of electronic 120V/277V and dimming drivers.

#### CONSTRUCTION

Fabricated seamless aluminum fixture housing. Specular primary optics provide high efficiency illumination. Stainless steel hardware with galvanized brackets to resist corrosion.

#### CODE COMPLIANCE

BAA compliant. ETL certified to meet US and Canadian standards. Suitable for dry or damp locations. Wet Location Option. Manufactured and tested to UL standards No. 1598/8750.



A	B
3.3 83.8 mm	10.6 269.2 mm

Fixture Weight: 4.2 lbs

LUMENS / WATTAGE DATA				
PART NUMBER	SOURCE LUMENS <sup>1</sup>	DELIVERED LUMENS <sup>2</sup>	SYSTEM WATTS <sup>3</sup>	LPW
C0310XT7L	700	506	6.2	82
C0310XT10L	1000	675	9.1	74

SERIES	LUMENS <sup>1</sup>	CCT	OPTICS	DRIVER / DIMMING <sup>5</sup>	OPTIONS <sup>7</sup>	MOUNTING <sup>11</sup>	FINISH <sup>17</sup>
C0310XT	7L 700 Lm 10L 1000 Lm	83 CRI	XN <sup>4</sup> 12° ND 30° MD 33° WD 38°	EX Electronic Driver, 120V/277V DS10X 10%, 0-10V, 120V/277V DS2W1 ELV/MLV, 120V DMXS <sup>5</sup> DMX Standard Configuration DMXC <sup>6</sup> DMX Non-Standard Custom	WL <sup>8</sup> Wet Location CR Corrosion Resistant	RDC5 <sup>12</sup> Small Driver Canopy CP13 Large Driver Canopy HM <sup>13/14</sup> Hang Straight AT <sup>13/14</sup> Hang Straight All Thread PM <sup>13/14</sup> Rigid Pendant Mount CD <sup>8/13/15</sup> Cord / Cable Mount SM <sup>6</sup> Surface Mount CQD <sup>16</sup> DMX Large Driver Canopy	MW <sup>18</sup> Matte White MB <sup>18</sup> Matte Black PT <sup>18</sup> Platinum Silver CC Custom Color
		98 CRI					
	27HK 2700K 30HK 3000K 35HK 3500K 40HK 4000K	NL <sup>9</sup> No Lens GL <sup>9</sup> Clear Glass Lens SO <sup>10</sup> Micro Prism Solite™ Lens	EMCR <sup>16</sup> 10W Canopy Mounted EM EMRM 7W Remote EM EMEN 7W Remote with Enclosure				

**EXAMPLE:** C0310XT10L35KMDEX/SO/RDC5PM36/PT

#### NOTES:

1 Nominal Source Lumens At Any CCT 2 Nominal Delivered Lumens at 83 CRI at Any CCT with MD-SO 3 At 83 CRI 4 XN with 98 CRI Option Pending 5 Contact Factory for Additional Options 6 Contact Factory 7 See Product Options Page for Details 8 Wet Location Unavailable with NL, CD or SM 9 Standard Lens for XN, ND 10 Standard Lens for MD, WD 11 See Mounting Page for Details on Components and Finishes 12 Required 13 Specify Length in Inches: See Mounting Page for Available Lengths 14 Not for Use in Locations with Wind Exposure 15 EMxxx Option Requires 2 Cords 16 CQD/EMCR Replaces RDC5/CP13 17 See Color Page for More Options/Consult Factory for Special Finishes 18 Standard Finishes



PROJECT: \_\_\_\_\_  
TYPE: \_\_\_\_\_



Dimensions and values shown are nominal. Spectrum Lighting continually works to improve products and reserves the right to make changes which may alter the performance or appearance of products.

# 3" ROUND DIRECT

PICO SERIES / FIXTURE OPTIONS



## STANDARD FINISHES

**MW**  
MATTE WHITE



**MB**  
MATTE BLACK

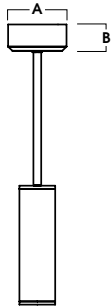


**PT**  
PLATINUM SILVER



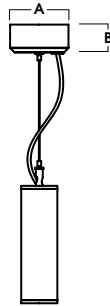
## MOUNTING TYPES

**HM / PM / AT**  
HANG STRAIGHT / PENDANT / ALL THREAD



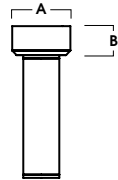
A	B
5.3	2.5
134.6 mm	63.5 mm

**CD**  
CORD / CABLE MOUNT



A	B
5.3	2.5
134.6 mm	63.5 mm

**SM**  
SURFACE MOUNT



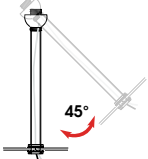
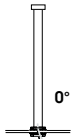
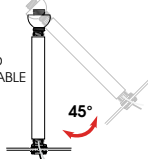
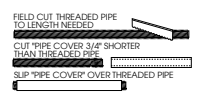

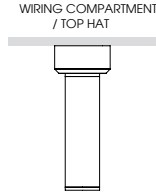
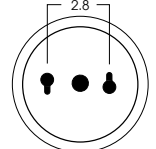
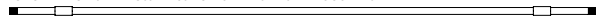
A	B
5.3	2.5
134.6 mm	63.5 mm

# STANDARD MOUNTING & ACCESSORIES

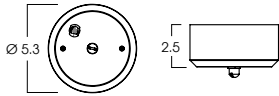
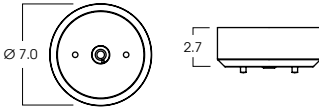
SOME OPTIONS NOT AVAILABLE ON ALL FIXTURES. CONSULT SPECIFICATION SHEETS. SEE INDIVIDUAL SPECIFICATION SHEETS OR CONSULT FACTORY FOR ADDITIONAL INFORMATION. NOTE: THIS IS TYPICAL OF CYLINDERS SPECIFICATION FOR PENDANT MOUNTING. INDIVIDUAL FIXTURES OR PROJECTS MAY HAVE SPECIALIZED REQUIREMENTS.



## MOUNTING TYPES

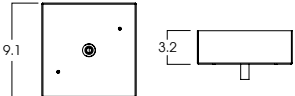
<p><b>HM*</b> HANG STRAIGHT 45° SWIVEL 5/8" OD STEM - 3/8" IP</p>  <p>ORDER: <b>HM</b> (Length) SPECIFY LENGTH: <b>HM3</b> - 3"    <b>HM24</b> - 24" <b>HM6</b> - 6"    <b>HM36</b> - 36" <b>HM12</b> - 12"   <b>HM48</b> - 48" <b>HM18</b> - 18"   <b>HM72</b> - 72" <b>HMLC(XX)</b> Custom Length (Specify in Inches)</p>	<p><b>PM*</b> RIGID PENDANT MOUNT RIGID 5/8" OD STEM - 3/8" IP</p>  <p>ORDER: <b>PM</b> (Length) SPECIFY LENGTH: <b>PM3</b> - 3"    <b>PM24</b> - 24" <b>PM6</b> - 6"    <b>PM36</b> - 36" <b>PM12</b> - 12"   <b>PM48</b> - 48" <b>PM18</b> - 18"   <b>PM72</b> - 72" <b>PMLC(XX)</b> Custom Length (Specify in Inches)</p>	<p><b>AT**</b> HANG STRAIGHT ALL THREAD 45° SWIVEL 5/8" OD STEM - 1/4" IP</p> <p>FIELD CUTTABLE</p>  <p>ORDER: <b>AT</b> (Length) SPECIFY LENGTH: <b>AT12</b> - 12" <b>AT24</b> - 24" <b>AT36</b> - 36"</p> 	<p><b>CD</b> CORD / CABLE MOUNT SJ CORD WITH 1/16 SS CABLE</p>  <p>ORDER: <b>CD</b> (Length) SPECIFY LENGTH: <b>CD36</b> - 36" <b>CD72</b> - 72" <b>CD144</b> - 144" <b>CDLC(XX)</b> Custom Length (Specify in Inches)</p>	<p><b>SM</b> SURFACE MOUNT WIRING COMPARTMENT / TOP HAT</p>  <p>ORDER: <b>SM</b> TOP VIEW CANOPY 2.8</p>  <p>KEY SLOTS MOUNT CANOPY TO WALL JUNCTION BOX. JUNCTION BOX IS COVERED.</p>
<p>*MAXIMUM ONE PIECE STEM LENGTH IS 72". **MAXIMUM ONE PIECE STEM LENGTH IS 36". LONGER LENGTHS ARE POSSIBLE USING MULTIPLE STEMS AND COUPLERS.</p> 				

## DRIVER CANOPY OPTIONS

<p><b>RDC5</b> - SMALL DRIVER CANOPY (STANDARD)</p> 	<p><b>CP13</b> - LARGE DRIVER CANOPY</p> 
---	--

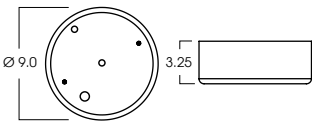
## DMX OPTION

**CQD** - LARGE DRIVER CANOPY FOR DMX OPTIONS

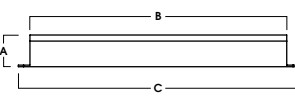
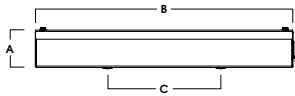


## EMERGENCY BATTERY OPTIONS

**EMCR** - LARGE DRIVER CANOPY FOR 10W EMERGENCY BATTERY



## REMOTE EMERGENCY BATTERY OPTIONS

<p><b>EMRM*</b> - 7W REMOTE EMERGENCY BATTERY (50' MAX)</p>  <table border="1" data-bbox="576 1501 771 1543"> <thead> <tr> <th>A</th> <th>B</th> <th>C</th> </tr> </thead> <tbody> <tr> <td>1.3</td> <td>12.6</td> <td>13.0</td> </tr> </tbody> </table>	A	B	C	1.3	12.6	13.0	<p><b>EMEN*</b> - 7W REMOTE EMERGENCY BATTERY WITH ENCLOSURE (50' MAX)</p>  <table border="1" data-bbox="933 1501 1128 1543"> <thead> <tr> <th>A</th> <th>B</th> <th>C</th> </tr> </thead> <tbody> <tr> <td>2.0</td> <td>17.0</td> <td>6.2</td> </tr> </tbody> </table>	A	B	C	2.0	17.0	6.2
A	B	C											
1.3	12.6	13.0											
A	B	C											
2.0	17.0	6.2											

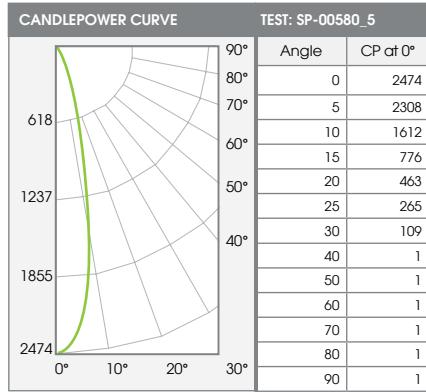
\*OTHER EM BATTERY SIZES AVAILABLE. CONSULT FACTORY

# 3" ROUND DIRECT

## PICO SERIES / PHOTOMETRIC DATA



### C0310XT-10LxxK-NDEX-GLxxMW



Distance	Lumens	%
0-10	196	33%
0-20	440	74%
0-30	568	95%
0-40	590	99%
0-60	592	99%
0-80	594	100%
0-90	595	100%
Total Lumens	595	100%

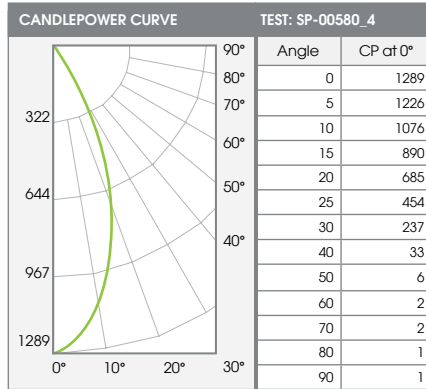
### 10L NARROW - 83 CRI

Mounting Height*	FC at Center	Diameter of Beam**	FC at Beam**
5.5'	82	2.4'	39
6.5'	59	2.8'	28
7.5'	44	3.3'	21
8.5'	34	3.7'	16
10.0'	25	4.3'	12
12.0'	17	5.2'	8
14.0'	13	6.1'	6
16.0'	10	6.9'	5

\* From aperture to horizontal surface below.  
\*\* At IESNA defined Beam Angle, to 50% Max. CP.

Delivered Lumens: 595    CP @ 0° (Nadir): 2474    Spacing Ratio: 0.42  
 Luminaire Watts: 9.1    Beam Angle: 24.5°    Output Multipliers: 7L x 0.75  
 LER: 65    CRI: 83

### C0310XT-10LxxK-MDEX-SOxxMW



Distance	Lumens	%
0-10	113	17%
0-20	364	54%
0-30	580	86%
0-40	654	97%
0-60	669	99%
0-80	673	100%
0-90	675	100%
Total Lumens	675	100%

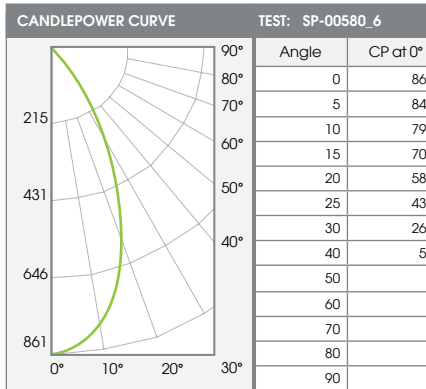
### 10L MEDIUM - 83 CRI

Mounting Height*	FC at Center	Diameter of Beam**	FC at Beam**
5.5'	43	4.2'	19
6.5'	31	5.0'	13
7.5'	23	5.7'	10
8.5'	18	6.5'	8
10.0'	13	7.6'	6
12.0'	9	9.1'	4
14.0'	7	10.7'	3
16.0'	5	12.2'	2

\* From aperture to horizontal surface below.  
\*\* At IESNA defined Beam Angle, to 50% Max. CP.

Delivered Lumens: 675    CP @ 0° (Nadir): 1289    Spacing Ratio: 0.68  
 Luminaire Watts: 9.1    Beam Angle: 41.7°    Output Multipliers: 7L x 0.75  
 LER: 74    CRI: 83

### C0310XT-10LxxK-WDEX-SOxxMW



Distance	Lumens	%
0-10	79	13%
0-20	276	46%
0-30	478	80%
0-40	571	96%
0-60	593	99%
0-80	596	100%
0-90	597	100%
Total Lumens	597	100%

### 10L WIDE - 83 CRI

Mounting Height*	FC at Center	Diameter of Beam**	FC at Beam**
5.5'	28	5.1'	12
6.5'	20	6.1'	8
7.5'	15	7.0'	6
8.5'	12	7.9'	5
10.0'	9	9.3'	4
12.0'	6	11.2'	2
14.0'	4	13.1'	2
16.0'	3	14.9'	1

\* From aperture to horizontal surface below.  
\*\* At IESNA defined Beam Angle, to 50% Max. CP.

Delivered Lumens: 597    CP @ 0° (Nadir): 861    Spacing Ratio: 0.8  
 Luminaire Watts: 9.1    Beam Angle: 50.0°    Output Multipliers: 7L x 0.75  
 LER: 66    CRI: 83

# COLOR OPTIONS - POWDER COAT PAINT FINISHES

NOTE: NO PRINTED IMAGE CAN EQUAL THE EXACT COLOR OF FINISH ON METAL.  
SEE INDIVIDUAL SPECIFICATION SHEETS OR CONSULT FACTORY FOR ADDITIONAL INFORMATION.



## STANDARD CORD / STEM / CANOPY FINISHES

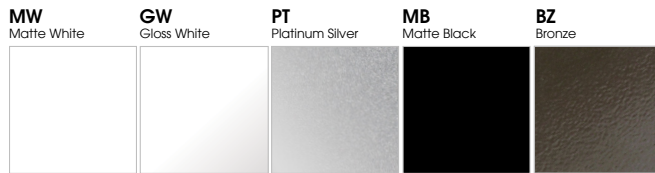
FIXTURE COLOR	STANDARD CORD COLOR	STANDARD CANOPY / STEM COLOR
Matte White, Textured White	Matte White	Matte White
Gloss White	Matte White	Gloss White
Matte Black, Textured Black	Matte Black	Matte Black
All Others	Matte Black	Same Color as Fixture
Custom Color	Contact Factory	Contact Factory

## PAINT TIMES

TIER	COST	AVERAGE PAINT TIME*
Tier 1 - Standard Finishes	\$	⌚
Tier 2 - Typical Finishes	\$\$	⌚⌚
Custom Color	Contact Factory	Contact Factory

\*CONTACT FACTORY FOR SPECIFIC PRODUCT LEAD TIMES

## TIER 1 - STANDARD FINISHES



## TIER 2 - TYPICAL FINISHES



## CUSTOM COLOR FINISHES

CONTACT FACTORY

**CC**  
Custom Color



\*UNAVAILABLE FOR WET LOCATION