



**ALUMINUM DECO TIER**  
**DAMP LOCATION**  
 GV SERIES

PROJECT: \_\_\_\_\_  
 QUANTITY: \_\_\_\_\_ TYPE: \_\_\_\_\_



RT0608GV  
 PT - Platinum Silver



RT0608GV  
 GB - Gloss Black



RT0608GV  
 AC - Anodic Champagne



RT0608GV  
 BZ - Bronze

SERIES	LUMENS <sup>1</sup>		CCT		DRIVER / DIMMING <sup>2</sup>		MOUNTING <sup>3</sup>		FINISH <sup>5</sup>	
RT0608GV	15L	1500 Lm	27K	2700K	EX	Electronic Driver, 120V/277V	HM <sup>4</sup>	Hang Straight	MW <sup>6</sup>	Matte White
	27L	2700 Lm	30K	3000K	DO10X	1% 0-10V, 120V/277V	AT <sup>4</sup>	Hang Straight All Thread	MB <sup>6</sup>	Matte Black
			35K	3500K	DS2W1	ELV/MLV, 120V	PM <sup>4</sup>	Rigid Pendant Mount	PT <sup>6</sup>	Platinum Silver
			40K	4000K			CD <sup>4</sup>	Cord / Cable Mount	CC	Custom Color
						CM <sup>4</sup>	Cord Mount	See Page 5 for Full Range of Color Options (83-90081)		
						SM	Surface Mount			
						EMCR	10W Canopy Mounted EM			
						EMRM	7W Remote EM			
						EMEN	7W Remote with Enclosure			

EXAMPLE: RT0608GV15L27KEX/CD36MW

NOTES:  
 1 Nominal Source Lumens at 35K 2 Contact Factory for Additional Options 3 See Mounting Page for Details on Components and Finishes 4 Specify Length in Inches: See Mounting Page for Available Lengths 5 See Color Page for More Options/Consult Factory for Special Finishes 6 Standard Finishes





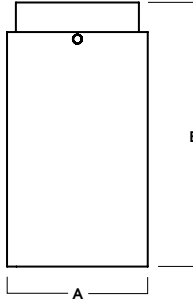
# ALUMINUM DECO TIER DAMP LOCATION GV SERIES

DECORATIVE

LUMENS / WATTAGE DATA				
PART NUMBER	SOURCE LUMENS <sup>1</sup>	DELIVERED LUMENS <sup>2</sup>	SYSTEM WATTS	LPW
RT0608GV15L	1500	833	11	76
RT0608GV27L	2700	1461	18	79

<sup>1</sup> Nominal Source Lumens at 35K    <sup>2</sup> Nominal Delivered Lumens at 35K

## HOUSING DIMENSIONS



A	B
6.0 152.4 mm	11.3 287.0 mm

### APPLICATION

Aluminum Deco Tier features floating aluminum shade to obscure the light source and cast a subtle pattern of light onto the ceiling.

### FEATURES

Speculume series fixtures offer simple contemporary style with functional luminaire performance. Fixtures are designed and manufactured in our factory. LED module and drivers are replaceable and upgradable. Electronic LED Driver in canopy for thermal management. A variety of finishes and mounting options are available.

### FINISH

Multi-stage polyester powder-coat process applied on our dedicated paint lines. See mounting and color pages for standard finishes.

### ELECTRONICS

GV LED system features high brightness white Samsung LED's. 3-step MacAdam Ellipse binning. Standard CRI: 80+. Higher CRI, R9 and custom LED configurations are available; consult factory. Variety of electronic 120V/277V and dimming drivers.

### CONSTRUCTION

Spun and machined aluminum.

### CODE COMPLIANCE

BAA compliant. ETL certified to meet US and Canadian standards. Suitable for dry or damp locations. Manufactured and tested to UL standards No. 1598/8750.

## CEILING MOUNT

(SEE MOUNTING PAGES FOR MORE OPTIONS & CANOPY DIMENSIONS.)

### HM / PM / AT

HANG STRAIGHT / PENDANT



RT0608GV SHOWN WITH PM

### CD

CORD / CABLE MOUNT



RT0608GV SHOWN WITH CD

### CM

CORD MOUNT



RT0608GV SHOWN WITH CM

### SM

SURFACE MOUNT



RT0608GV SHOWN WITH SM



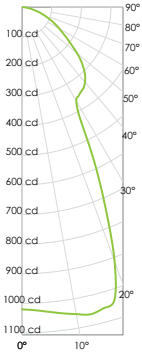


# ALUMINUM DECO TIER DAMP LOCATION GV SERIES

DECORATIVE

RT0608GV 27L 35K XX MW

**CANDLEPOWER CURVE**  
TEST SP-00622\_1



Delivered Lumens: **1,461**  
Luminaire Watts: **18.4**  
LER: **79.40**

**INTENSITY CANDELA**  
0° AZIMUTH

0.00°	0.00°
0.00°	1,020
5.00°	1,032
10.00°	1,052
15.00°	1,054
20.00°	913
30.00°	366
40.00°	330
50.00°	243
60.00°	145
70.00°	78
80.00°	27
90.00°	2

CP at 0deg (Nadir): **1,020**  
CRI: **82**

**ZONAL LUMENS**

0° - 10°	101	7%
0° - 20°	393	27%
0° - 30°	665	45%
0° - 40°	885	61%
0° - 60°	1,279	88%
0° - 80°	1,442	99%
0° - 90°	1,454	100%
Total	1,461	100%

**SINGLE UNIT: PERFORMANCE**  
DIRECT FOOTCANDLES  
BASED ON DOWNLIGHT ONLY

Mounting Height AFF	FC at Center on Floor	Beam Diameter	FC at Beam Edge
6.0'	28 fc	5.8'	10 fc
8.0'	16 fc	7.7'	6 fc
10.0'	10 fc	9.6'	4 fc
12.0'	7 fc	11.6'	3 fc
14.0'	5 fc	13.5'	2 fc
16.0'	4 fc	15.4'	1 fc
20.0'	3 fc	19.3'	1 fc
24.0'	2 fc	23.1'	1 fc

Beam Angle: **51.47**  
Spacing Ratio: **0.87**

**MULTIPLE UNITS: PERFORMANCE**  
80/50/20% REFLECTANCES  
INITIAL FOOTCANDLES AND WATTS PER SQUARE FOOT

Ceiling Height	Fixture Spacing	RCR 2		RCR 4	
		FC *	W/Sq. Ft.	FC *	W/Sq. Ft.
14'	8'	22	0.29	18	0.29
18'	10'	15	0.20	9	0.15
22'	12'	9	0.12	9	0.15
Delivered Illuminance Rating: (DIR)		75 FC per W/Sq. Ft.		61 FC per W/Sq. Ft.	
2' Suspension Length to luminous aperture Square rooms used for multiple units: RCR 2: Length & Width = Ceiling Ht. - 4.5' x 5.00 RCR 4: Length & Width = Ceiling Ht. - 4.5' x 2.50 * Average Footcandles at 2.5' Above Floor					

Lumen Multiplier: **15L x 0.573**  
CCT Multiplier: **27K x 0.97, 30K x 0.99, 40K x 1.03**

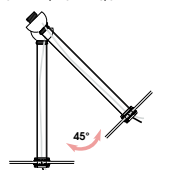
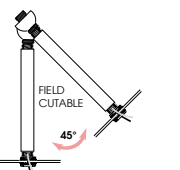
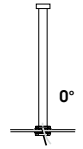
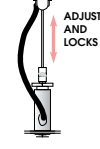



# MOUNTING & ACCESSORIES

SOME OPTIONS NOT AVAILABLE ON ALL FIXTURES. CONSULT SPECIFICATION SHEETS. SEE INDIVIDUAL SPECIFICATION SHEETS OR CONSULT FACTORY FOR ADDITIONAL INFORMATION. NOTE: THIS IS TYPICAL OF SPECULUME SPECIFICATION FOR PENDANT MOUNTING. INDIVIDUAL FIXTURES OR PROJECTS MAY HAVE SPECIALIZED REQUIREMENTS.



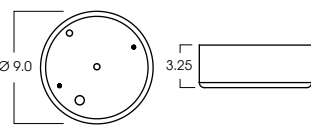
## CEILING MOUNTING

<p><b>HM*</b> HANG STRAIGHT 45° SWIVEL 1/2" STEM - 3/8" NPT</p>  <p>ORDER: <b>HM</b> (Length) SPECIFY LENGTH: <b>HM3</b> - 3"    <b>HM24</b> - 24" <b>HM6</b> - 6"    <b>HM36</b> - 36" <b>HM12</b> - 12"    <b>HM48</b> - 48" <b>HM18</b> - 18"    <b>HM72</b> - 72" <b>HMLC(XX)</b> Custom Length (Specify in Inches)</p>	<p><b>AT**</b> HANG STRAIGHT ALL THREAD 45° SWIVEL 5/8" OD STEM - 1/4" IP</p>  <p>ORDER: <b>AT</b> (Length) SPECIFY LENGTH: <b>AT12</b> - 12" <b>AT24</b> - 24" <b>AT36</b> - 36" <b>AT48</b> - 48" <b>AT60</b> - 60" <b>AT72</b> - 72" <small>FIELD CUT INBREADED PIPE TO LENGTH NEEDED FIELD CUT COVER USE SHORTER SLIP PIPE COVER OVER THREADED PIPE</small></p>	<p><b>PM*</b> RIGID PENDANT MOUNT RIGID 1/2" STEM - 3/8" NPT</p>  <p>ORDER: <b>PM</b> (Length) SPECIFY LENGTH: <b>PM3</b> - 3"    <b>PM24</b> - 24" <b>PM6</b> - 6"    <b>PM36</b> - 36" <b>PM12</b> - 12"    <b>PM48</b> - 48" <b>PM18</b> - 18"    <b>PM72</b> - 72" <b>PMLLC(XX)</b> Custom Length (Specify in Inches)</p>	<p><b>CD</b> CORD / CABLE MOUNT SJ CORD WITH 1/16 SS CABLE</p>  <p>ORDER: <b>CD</b> (Length) SPECIFY LENGTH: <b>CD36</b> - 36" <b>CD72</b> - 72" <b>CD144</b> - 144" <b>CDLC(XX)</b> Custom Length (Specify in Inches)</p>	<p><b>CM</b> CORD MOUNT SJ CORD WITH STRAIN RELIEF</p>  <p>ORDER: <b>CM</b> (Length) SPECIFY LENGTH: <b>CM36</b> - 36" <b>CM72</b> - 72" <b>CM144</b> - 144" <b>CMLC(XX)</b> Custom Length (Specify in Inches)</p>
--	--	--	---	---

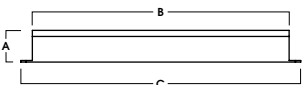
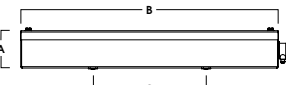
\*MAXIMUM ONE PIECE STEM LENGTH IS 72". \*\*MAXIMUM ONE PIECE STEM LENGTH IS 36". LONGER LENGTHS ARE POSSIBLE USING MULTIPLE STEMS AND COUPLERS.  
\*\*ORDER IN 12" INCREMENTS. ODD SIZES MAY BE FIELD CUT

## EMERGENCY BATTERY OPTIONS

**EMCR** - LARGE DRIVER CANOPY FOR 10W EMERGENCY BATTERY (FOR ROUND CEILING MOUNT TYPES)



## REMOTE EMERGENCY BATTERY OPTIONS

<p><b>EMRM*</b> - 7W REMOTE EMERGENCY BATTERY (50' MAX)</p>  <table border="1" data-bbox="576 1018 771 1060"> <thead> <tr> <th>A</th> <th>B</th> <th>C</th> </tr> </thead> <tbody> <tr> <td>1.3</td> <td>12.6</td> <td>13.0</td> </tr> </tbody> </table>	A	B	C	1.3	12.6	13.0	<p><b>EMEN*</b> - 7W REMOTE EMERGENCY BATTERY WITH ENCLOSURE (50' MAX)</p>  <table border="1" data-bbox="941 1018 1136 1060"> <thead> <tr> <th>A</th> <th>B</th> <th>C</th> </tr> </thead> <tbody> <tr> <td>2.0</td> <td>17.0</td> <td>6.2</td> </tr> </tbody> </table>	A	B	C	2.0	17.0	6.2
A	B	C											
1.3	12.6	13.0											
A	B	C											
2.0	17.0	6.2											

\*OTHER EM BATTERY SIZES AVAILABLE. CONSULT FACTORY

# COLOR OPTIONS - POWDER COAT PAINT FINISHES

NOTE: NO PRINTED IMAGE CAN EQUAL THE EXACT COLOR OF FINISH ON METAL.  
SEE INDIVIDUAL SPECIFICATION SHEETS OR CONSULT FACTORY FOR ADDITIONAL INFORMATION.



## STANDARD CORD / STEM / CANOPY FINISHES

FIXTURE COLOR	STANDARD CORD COLOR	STANDARD CANOPY / STEM COLOR
Matte White, Textured White	Matte White	Matte White
Gloss White	Matte White	Gloss White
Matte Black, Gloss Black, Textured Black	Matte Black	Matte Black
All Others	Matte Black	Same Color as Fixture
Custom Color	Contact Factory	Contact Factory

## PAINT TIMES

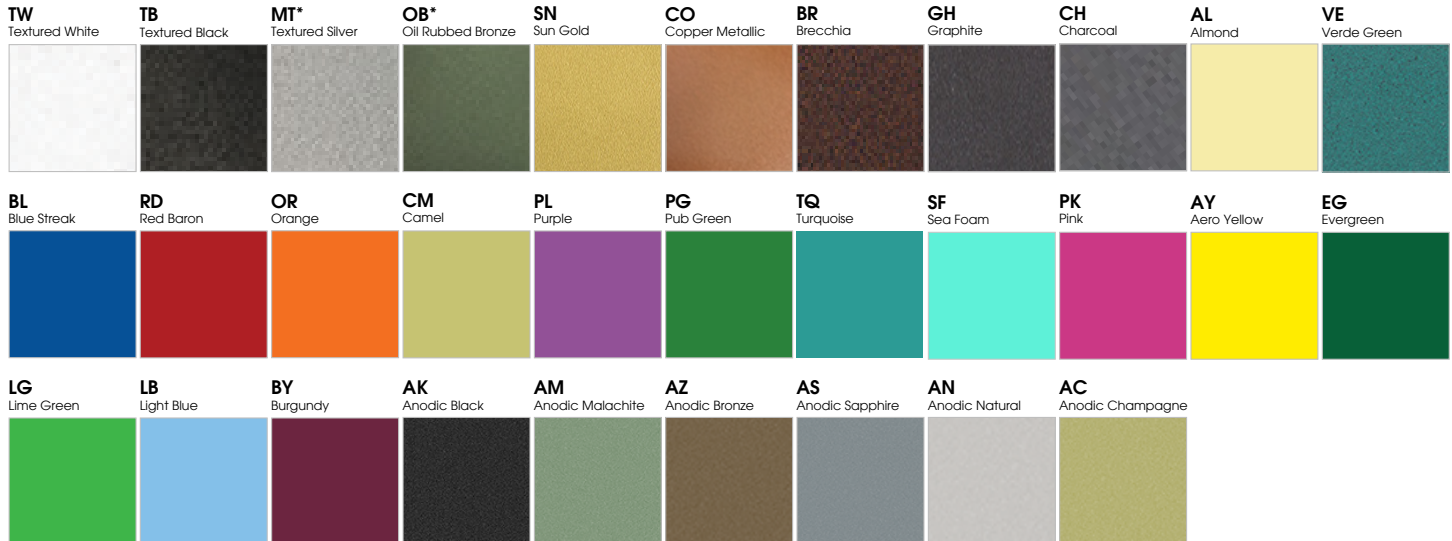
TIER	COST	AVERAGE PAINT TIME*
Tier 1 - Standard Finishes	\$	⌚
Tier 2 - Typical Finishes	\$\$	⌚⌚
Custom Color	Contact Factory	Contact Factory

\*CONTACT FACTORY FOR SPECIFIC PRODUCT LEAD TIMES

## TIER 1 - STANDARD FINISHES



## TIER 2 - TYPICAL FINISHES



## CUSTOM COLOR FINISHES

CONTACT FACTORY

**CC**  
Custom Color



\*UNAVAILABLE FOR WET LOCATION

