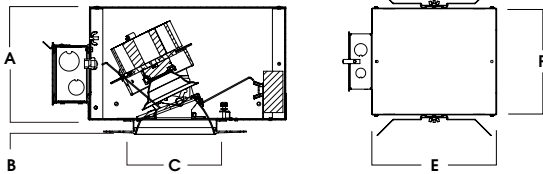
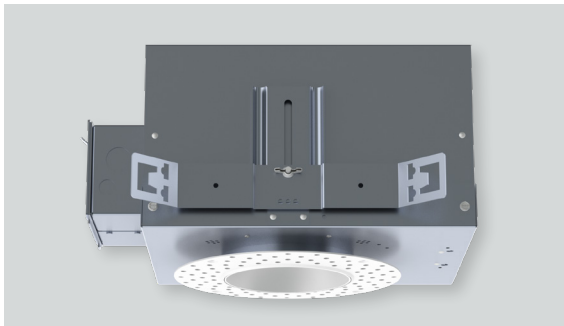
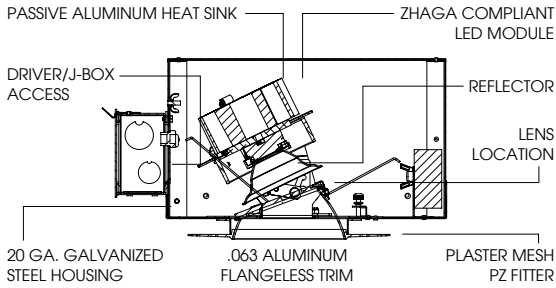




# 4" ROUND TRIMLESS IC WALL WASH

## XT SERIES / 2000 LUMENS MAX



A	B	C	D	E
6.4	.625	4.0	10L-13L: 13.2	9.5
162.6 mm	15.2 mm	101.6 mm	20L: 19.2	241.3 mm

### RWZI4XT - TRIMLESS / IC RATED

#### APPLICATION

Versatile 4" Round aperture recessed LED wall wash for Insulated Ceiling installations with flangeless trim and a wide range of lumens and control options.

#### FEATURES

Two-stage optical system for smooth light distribution and focus control. Quick change LED module with interchangeable optics for job site adjustment and fixture maintenance. Shallow plenum design. Tool-less driver and j-box access. Posi-lock trim retention torsion springs.

#### TRIM FINISH

A variety of architectural powdercoat and anodized finishes are available.

Plaster mesh fitter included.

#### ELECTRONICS

LED system features Xicato LED module with proprietary phosphor technology that provides consistent, stable color with CCT control of +/- 100K over life of the light engine. Base CRI is 83 with 2-step MacAdam Ellipse binning. High CRI is 98 with 1x2-step MacAdam Ellipse binning. Variety of electronic 120V/277V and dimming drivers.

#### CONSTRUCTION

Housing/frame constructed of #20 ga. galvanized steel to resist corrosion. Flangeless one piece trim spun from 0.063" thick high purity aluminum and finished to specification.

#### CODE COMPLIANCE

BAA Compliant. IC rated. UL certified to meet US and Canadian standards. Suitable for dry or damp locations. Optional Wet location. Manufactured and tested to UL standards No. 1598/8750.

WATTAGE TO LUMENS UPDATE					
CURRENT PART NUMBER EXAMPLE	PREVIOUS PART NUMBER EXAMPLE	SOURCE LUMENS <sup>1</sup>	DELIVERED LUMENS <sup>2</sup>	SYSTEM WATTS	LPW
RWZI4XT10L	RWZI4LEDXI15W	1000	552	11.1	49.7
RWZI4XT13L	RWZI4LEDXI20W	1300	744	15.0	49.6
RWZI4XT20L	RWZI4LEDXI33W	2000	1145	23.7	48.3

SERIES	LUMENS <sup>1</sup>	CCT	OPTICS	DRIVER / DIMMING / VOLTAGE <sup>3</sup>	OPTIONS <sup>4</sup>	TRIM	FINISH	TRIM OPTIONS <sup>10</sup>					
RWZI4XT	83 CRI		WD Wide	E Electronic Driver	1 120V 2 277V	BH27 <sup>5</sup> 27" Solid Bars	RW4NXT <sup>7</sup> SG <sup>9</sup> Semi-Diffuse	SKX <sup>11</sup> Linear Wall Wash Lens					
	10L 1000 Lm	27K 2700K							XW Extra Wide	DS10 10% 0-10V	H12 12" - 24" Expandable Bars	HZ Haze Full Diffuse	SKW Linear Wall Wash Lens Wet Location
	13L 1300 Lm	30K 3000K							DO10 1% 0-10V	H06 6" - 12" Expandable Bars	MW Matte White		
	20L 2000 Lm	35K 3500K							DS2W1 1% ELV/MLV, 120V	CB24 24" C-Channel Bars	MB Matte Black		
		40K 4000K							DLTE1 1% Lutron® 2-Wire Forward Phase, 120V	EMRM Remote Emergency Battery Pack	PT Platinum Silver		
									DL3E 1% Lutron® EcoSystem®, Fade	FS Fusing	OB Oil Rubbed Bronze		
			EL10 1%, eldoLED	EB Black Housing	CH Charcoal								
	98 CRI		WD Wide	E Electronic Driver	1 120V 2 277V	BH27 <sup>5</sup> 27" Solid Bars	RW4NXT <sup>7</sup> SG <sup>9</sup> Semi-Diffuse	SKX <sup>11</sup> Linear Wall Wash Lens					
	10L 1000 Lm	27HK 2700K							XW Extra Wide	DS10 10% 0-10V	H12 12" - 24" Expandable Bars	HZ Haze Full Diffuse	SKW Linear Wall Wash Lens Wet Location
	13L 1300 Lm	30HK 3000K							DO10 1% 0-10V	H06 6" - 12" Expandable Bars	MW Matte White		
	20L 2000 Lm	35HK 3500K							DS2W1 1% ELV/MLV, 120V	CB24 24" C-Channel Bars	MB Matte Black		
		40HK 4000K							DLTE1 1% Lutron® 2-Wire Forward Phase, 120V	EMRM Remote Emergency Battery Pack	PT Platinum Silver		
		DL3E 1% Lutron® EcoSystem®, Fade							FS Fusing	OB Oil Rubbed Bronze			
		ED01 0.1%, eldoLED	EB Black Housing	CH Charcoal									
		DALI DALI Control	CR Corrosion Resistant	AC Anodic Champagne	AS Anodic Sapphire	AM Anodic Malachite	SN Sun Gold	CO Copper Metallic	GH Graphite	AMB Anti Microbial Finish	CC <sup>9</sup> Custom Color		

EXAMPLE: RWZI4XT10L35KXWE1/H12/RW4NXTSGSKX

NOTES:  
 1 Nominal Source Lumens at Any CCT 2 Nominal Delivered Lumens 83 CRI at Any CCT with XW-SG-SKX 3 Contact Factory for Additional Options 4 See Product Options Page for Details 5 Standard Bar Hangers 6 Contact Factory  
 7 "N" Indicates Flangeless Trim 8 Standard Finish 9 Contact Factory for Special Finishes 10 Contact Factory for Special Lenses/Louvers 11 Standard Lens



PROJECT: \_\_\_\_\_  
 TYPE: \_\_\_\_\_



Dimensions and values shown are nominal. Spectrum Lighting continually works to improve products and reserves the right to make changes which may alter the performance or appearance of products.