



# 4" SQUARE TRIMLESS WALL WASH

XT SERIES / 4000 LUMENS MAX



## SWZO4XT - TRIMLESS / NON-IC RATED

### APPLICATION

Versatile 4" Square aperture recessed LED wall wash with flangeless trim and a wide range of lumens and control options.

### FEATURES

Two-stage optical system for smooth light distribution and focus control. Quick change LED module with interchangeable optics for job site adjustment and fixture maintenance. Shallow plenum design. Tool-less driver and j-box access. Posi-lock trim retention torsion springs. Integral .625" collar with deep ceiling option for up to 2" thick ceiling (PR).

### TRIM FINISH

A variety of architectural powdercoat colors are available. Plaster mesh filter included.

### ELECTRONICS

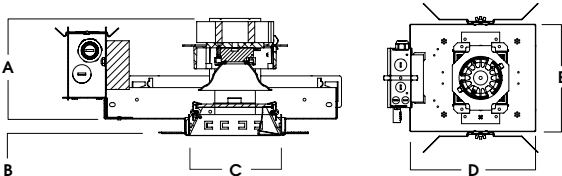
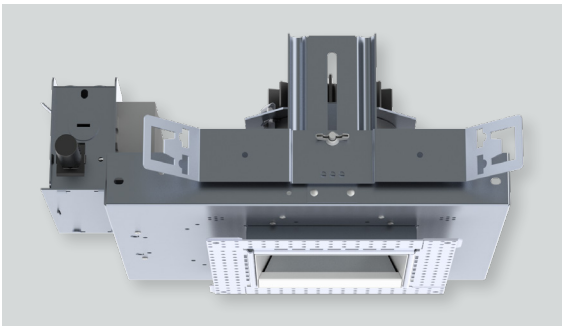
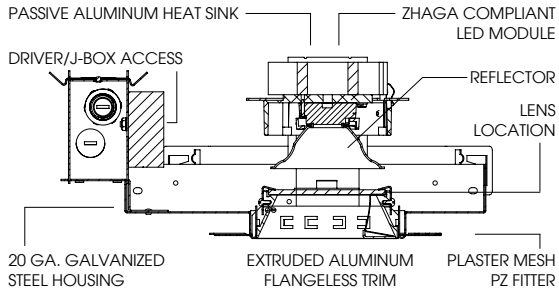
LED system features Xicato LED module with proprietary phosphor technology that provides consistent, stable color with CCT control of +/- 100K over life of the light engine. Base CRI is 83 with 2-step MacAdam Ellipse binning. High CRI is 98 with 1x2-step MacAdam Ellipse binning. Variety of electronic 120V/277V and dimming drivers.

### CONSTRUCTION

Housing/frame constructed of #20 ga. galvanized steel to resist corrosion. Flangeless one piece trim extruded high purity aluminum and finished to specification.

### CODE COMPLIANCE

BAA Compliant. Non-IC rated. UL certified to meet US and Canadian standards. Suitable for dry or damp locations. Optional Wet location. Manufactured and tested to UL standards No. 1598/8750.



A	B	C	D	E
10L-20L: 4.9	.625	4.0	13.2	9.5
30L-40L: 5.7	15.2 mm	101.6 mm	335.3 mm	241.3 mm

WATTAGE TO LUMENS UPDATE			
CURRENT PART NUMBER EXAMPLE	PREVIOUS PART NUMBER EXAMPLE	SOURCE LUMENS <sup>1</sup>	SYSTEM WATTS
SWZO4XT10L	SWZO4LEDXI15W	1000	11.1
SWZO4XT13L	SWZO4LEDXI20W	1300	15.0
SWZO4XT20L	SWZO4LEDXI33W	2000	23.7
SWZO4XT30L	SWZO4LEDXI52W	3000	34.6
SWZO4XT40L	N/A	4000	39.9

SERIES	LUMENS <sup>1</sup>	CCT	OPTICS	DRIVER / DIMMING / VOLTAGE <sup>2</sup>	OPTIONS <sup>4</sup>	TRIM	FINISH	TRIM OPTIONS <sup>10</sup>			
SWZO4XT	83 CRI		XW Extra Wide	E_ Electronic Driver DS10_ 10% 0-10V DO10_ 1% 0-10V DS2W1 1%, ELV/MLV, 120V DLTE1 1% Lutron® 2-Wire Forward Phase, 120V DL3E_ 1% Lutron® EcoSystem®, Fade EL10_ 1%, eldoLED ED01_ 0.1%, eldoLED DALL_ DALI Control DMXS_3 DMX Standard Configuration DMXC_3 DMX Non-Standard Custom	1 120V 2 277V	BH27 <sup>5</sup> 27" Solid Bars H12 12" - 24" Expandable Bars H06 6" - 12" Expandable Bars CB24 24" C-Channel Bars EM Integral Emergency Battery FS Fusing EB Black Housing CR Corrosion Resistant PR <sup>6</sup> Deep Ceiling Extension GR Goof Ring AMB Anti Microbial Finish	SW4NXT <sup>7</sup>	MW <sup>8</sup> Matte White MB Matte Black PT Platinum Silver OB Oil Rubbed Bronze CH Charcoal AC Anodic Champagne AS Anodic Sapphire AM Anodic Malachite SN Sun Gold CO Copper Metallic GH Graphite AMB Anti Microbial Finish CC <sup>9</sup> Custom Color	SKX <sup>11</sup> Linear Wall Wash Lens SKW Linear Wall Wash Lens Wet Location		
	10L	1000 Lm								27K	2700K
	13L	1300 Lm								30K	3000K
	20L	2000 Lm								35K	3500K
	30L	3000 Lm								40K	4000K
	40L	4000 Lm									
	98 CRI										
	10L	1000 Lm	27HK	2700K							
	13L	1300 Lm	30HK	3000K							
	20L	2000 Lm	35HK	3500K							
	30L	3000 Lm	40HK	4000K							

EXAMPLE: SWZO4XT20L35KXWE1/H12/SW4NXTMWNSKX

NOTES:  
 1 Nominal Source Lumens at Any CCT 2 Contact Factory for Additional Options 3 Contact Factory 4 See Product Options Page for Details 5 Standard Bar Hangers 6 Contact Factory 7 "N" Indicates Flangeless Trim  
 8 Standard Finish 9 Contact Factory for Special Finishes 10 Contact Factory for Special Lenses/Louvers 11 Standard Lens



PROJECT: \_\_\_\_\_  
 TYPE: \_\_\_\_\_



Dimensions and values shown are nominal. Spectrum Lighting continually works to improve products and reserves the right to make changes which may alter the performance or appearance of products.