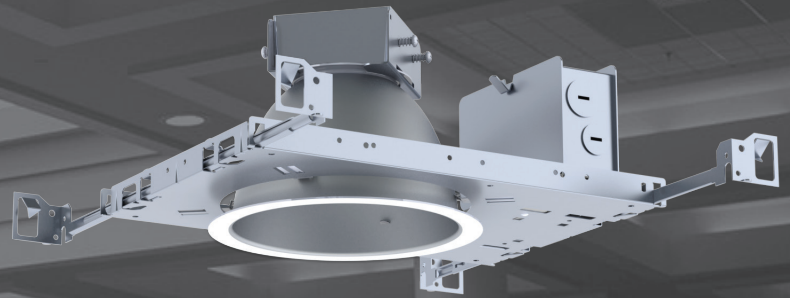
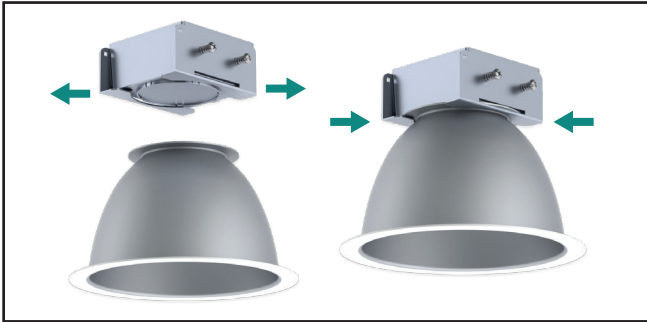


# ESTIMATOR

## CONTRACTOR SERIES

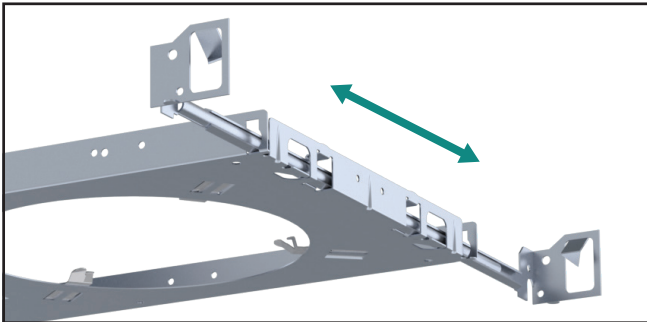


### 4", 6" & 8" ROUND DOWNLIGHT - 2000 LUMENS MAX



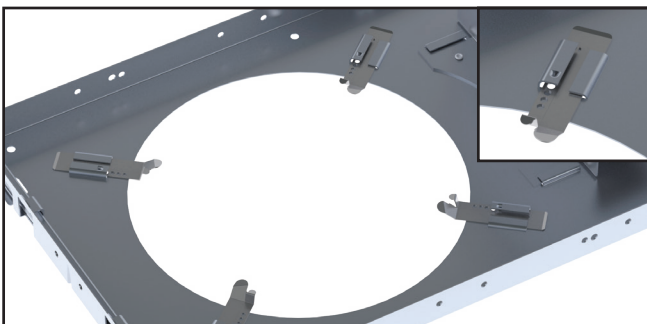
#### QUICK SNAP REFLECTOR ATTACHMENT

- Patent pending quick connect module.
- Integral matte white softening lens.
- 1% 0-10V dimming standard.
- 120V-277V universal voltage input.
- Deep regress with 50° cutoff.



#### INTEGRAL EXPANDABLE MOUNTING BARS

- Fits 12" to 24" span.
- Slot for grid ceiling.
- Nailer tab for wood.
- Screwable for steel stud.



#### PATENTED REFLECTOR GRIPPER CLIPS

- Mechanically set for different ceiling depths and reflectors.
- Easy removal of reflector with right hand twist.

#### FEATURES

4", 6" and 8" Downlight series with deep regress for visual comfort providing 50° source cutoff. Zhaga international standard LED module for ease of maintenance and future replacement. Tool-less LED module, driver, and J-Box access. Expandable 12"-24" bar hangers included. Quick connect LED module and trim attachment.

#### CONSTRUCTION

Housing/frame constructed of #22 GA galvanized steel. Self-flanged one piece trim spun from 0.063" thick high purity aluminum and finished to specification. Passive internal aluminum heatsink.

#### TRIM FINISH

Variety of powdercoat and anodized finishes available. Specify finish and flange finish.

#### PERFORMANCE DATA

MODEL NUMBER	SOURCE LUMENS	DELIVERED LUMENS	SYSTEM WATTS	LPW
SP6ES11L	1100	908	11.0	83
SP6ES15L	1500	1238	15.0	83
SP6ES20L	2000	1651	19.5	83

#### ELECTRONICS

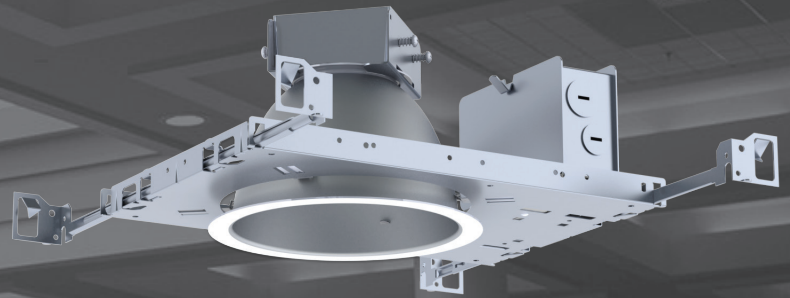
120V-277V universal input with standard 0-10V 1% Dimming. LED system with high efficacy LEDs backed by standard softening lens. Standard CRI is 80+. Thermally regulated drivers are overload and short circuit protected. Sound rating A. Auto dim thermal protector for long term reliability.

#### CODE COMPLIANCE

Energy Star pending. BAA Compliant. Non-IC rated. ETL Certified to meet US and Canadian Standards. Manufactured and tested to UL standards No. 1598/8750.

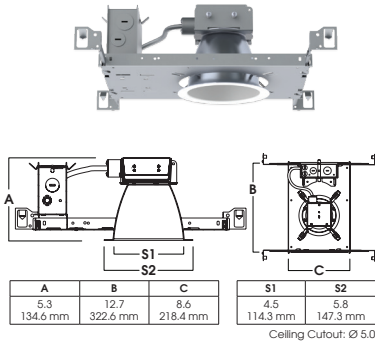
# ESTIMATOR

## CONTRACTOR SERIES

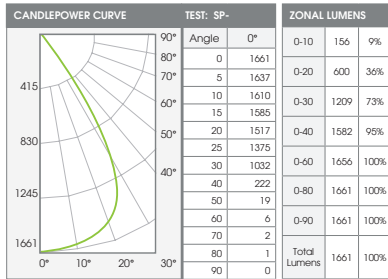


### 4", 6" & 8" ROUND DOWNLIGHT - 2000 LUMENS MAX

#### SP4ES - 4" APERTURE - NEW CONSTRUCTION



#### SP4ES-20L35KDX-AR4ES-SGxF



Delivered Lumens: 1661  
Luminaire Watts: 20  
LER: 83

CP @ 0° (Nadir): 1661  
Beam Angle: 64.4  
CRI: 80

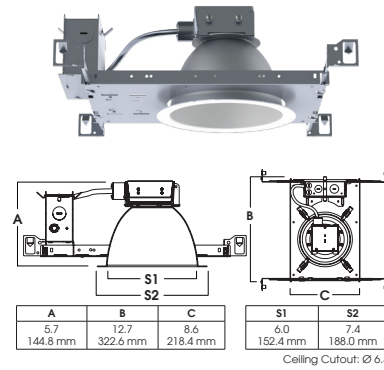
#### SINGLE UNIT PERFORMANCE INITIAL FOOTCANDLES AND BEAM ANGLE DIAMETERS

Mounting Height*	FC at Center	Diameter of Beam**	FC at Beam**
5.5	55	6.9	20
6.5	39	8.2	14
7.5	30	9.4	11
8.5	23	10.7	8
10	17	12.6	6
12	12	15.1	4
14	8	17.6	3
16	6	20.2	2

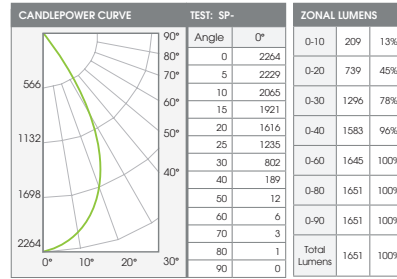
\* From aperture to horizontal surface below.  
\*\* At IESNA defined Beam Angle, to 50% Max. CP.

Spacing Ratio: 1.06  
Output Multipliers: 11L x 0.55, 15L x 0.75, 20L x 1.0

#### SP6ES - 6" APERTURE - NEW CONSTRUCTION



#### SP6ES-20L35KDX-AR6ES-SGxF



Delivered Lumens: 1651  
Luminaire Watts: 20  
LER: 83

CP @ 0° (Nadir): 2264  
Beam Angle: 52.4  
CRI: 80

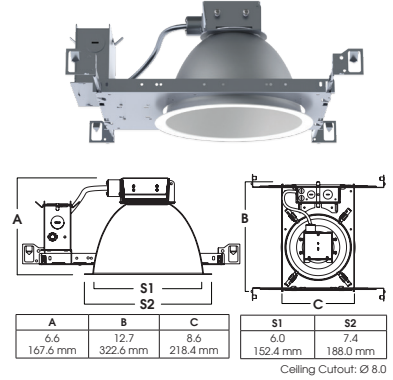
#### SINGLE UNIT PERFORMANCE INITIAL FOOTCANDLES AND BEAM ANGLE DIAMETERS

Mounting Height*	FC at Center	Diameter of Beam**	FC at Beam**
5.5	75	5.4	30
6.5	54	6.4	22
7.5	40	7.4	16
8.5	31	8.4	13
10	23	9.8	9
12	16	11.8	6
14	12	13.8	5
16	9	15.7	4

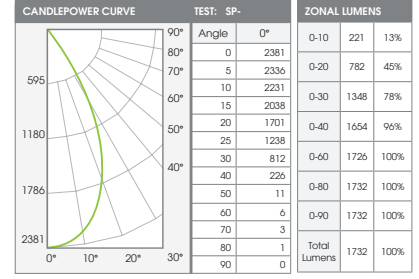
\* From aperture to horizontal surface below.  
\*\* At IESNA defined Beam Angle, to 50% Max. CP.

Spacing Ratio: 0.84  
Output Multipliers: 11L x 0.55, 15L x 0.75, 20L x 1.0

#### SP8ES - 8" APERTURE - NEW CONSTRUCTION



#### SP8ES-20L35KDX-AR8ES-SGxF



Delivered Lumens: 1732  
Luminaire Watts: 20  
LER: 87

CP @ 0° (Nadir): 2381  
Beam Angle: 51.1  
CRI: 80

#### SINGLE UNIT PERFORMANCE INITIAL FOOTCANDLES AND BEAM ANGLE DIAMETERS

Mounting Height*	FC at Center	Diameter of Beam**	FC at Beam**
5.5	79	5.3	32
6.5	56	6.2	23
7.5	42	7.2	17
8.5	33	8.1	13
10	24	9.6	10
12	17	11.5	7
14	12	13.4	5
16	9	15.3	4

\* From aperture to horizontal surface below.  
\*\* At IESNA defined Beam Angle, to 50% Max. CP.

Spacing Ratio: 0.82  
Output Multipliers: 11L x 0.55, 15L x 0.75, 20L x 1.0

#### FIXTURE HOUSING SPECIFICATION

SERIES	LUMENS	CCT	DRIVER / VOLTAGE
SP4ES	11L 1100 Lm	30K 3000K	DX 1%, 0-10V, 120V/277V
SP6ES	15L 1500 Lm	35K 3500K	
SP8ES	20L 2000 Lm	40K 4000K	

#### TRIM / MODULE SPECIFICATION

TRIM	FINISH	FLANGE FINISH
AR4ES	SG Semi-Diffuse	MF Matching Flange
AR6ES	MW Matte White	WF White Flange
AR8ES	AN Anodic Natural	
	AC Anodic Champagne	
	MB Matte Black	
	PT Platinum Silver	
	CC Custom Finish	

EXAMPLE: SP6ES11L30KDX/AR6ESMWMF

Dimensions and values shown are nominal. Spectrum Lighting continually works to improve products and reserves the right to make changes which may alter the performance or appearance of products.

WWW.SPECLIGHT.COM • 994 JEFFERSON STREET, FALL RIVER, MA 02721 • 508.678.2303 FAX 508.678.2260

