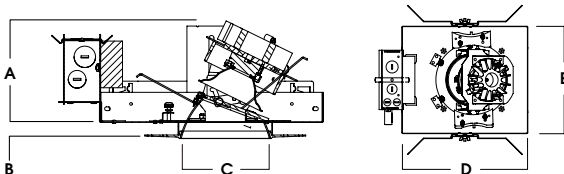
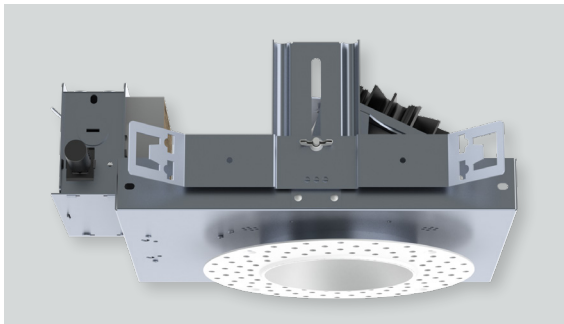
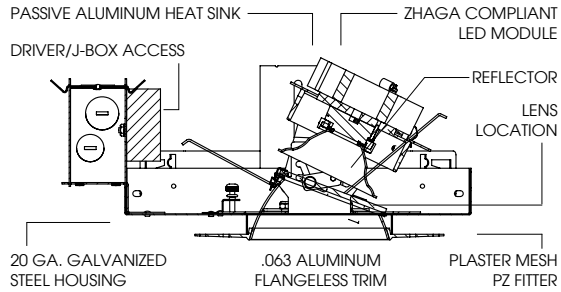




# 4" ROUND TRIMLESS ADJUSTABLE ACCENT

XT SERIES / 4000 LUMENS MAX



A	B	C	D	E
10L-20L: 5.1	.625	4.0	13.2	9.5
30L-40L: 6.0	15.2 mm	101.6 mm	335.3 mm	241.3 mm

## RAZO4XT - TRIMLESS / NON-IC RATED

### APPLICATION

Versatile 4" Round aperture recessed LED accent light with flangeless trim and a wide range of lumens and optical controls.

### FEATURES

LED module tilts 35°, rotates 360°. Two-stage optical system for smooth light distribution and focus control. Quick change LED module with interchangeable optics for job site adjustment and fixture maintenance. Shallow plenum design. Tool-less driver and j-box access. Posi-lock trim retention torsion springs.

### TRIM FINISH

A variety of architectural powdercoat and anodized finishes are available.

Plaster mesh fitter included.

### ELECTRONICS

LED system features Xicato LED module with proprietary phosphor technology that provides consistent, stable color with CCT control of +/- 100K over life of the light engine. Base CRI is 83 with 2-step MacAdam Ellipse binning. High CRI is 98 with 1x2-step MacAdam Ellipse binning. Variety of electronic 120V/277V and dimming drivers.

### CONSTRUCTION

Housing/frame constructed of #20 ga. galvanized steel to resist corrosion. Flangeless one piece trim spun from 0.063" thick high purity aluminum and finished to specification.

### CODE COMPLIANCE

BAA Compliant. Non-IC rated. UL certified to meet US and Canadian standards. Suitable for dry or damp locations. Optional Wet location. Manufactured and tested to UL standards No. 1598/8750.

WATTAGE TO LUMENS UPDATE					
CURRENT PART NUMBER EXAMPLE	PREVIOUS PART NUMBER EXAMPLE	SOURCE LUMENS <sup>1</sup>	DELIVERED LUMENS <sup>2</sup>	SYSTEM WATTS	LPW
RAZO4XT10L	RAZO4LEDXI15W	1000	733	11.1	66
RAZO4XT13L	RAZO4LEDXI20W	1300	988	15.0	66
RAZO4XT20L	RAZO4LEDXI33W	2000	1520	23.7	64
RAZO4XT30L	RAZO4LEDXI52W	3000	2280	34.6	66
RAZO4XT40L	N/A	4000	2925	39.9	73

SERIES	LUMENS <sup>1</sup>	CCT	OPTICS	DRIVER / DIMMING / VOLTAGE <sup>4</sup>	OPTIONS <sup>6</sup>	TRIM	FINISH	TRIM OPTIONS <sup>12</sup>			
RAZO4XT	83 CRI		XN <sup>3</sup> 10° ND 27° MD 40° WD 45° XW 50°	E Electronic Driver DS10_ 10% 0-10V DO10_ 1% 0-10V DS2W1 1% ELV/MLV, 120V DLTE1 1% Lutron® 2-Wire Forward Phase, 120V DL3E_ 1% Lutron® EcoSystem®, Fade EL10_ 1%, eldoLED ED01_ 0.1%, eldoLED DALI_ DALI Control DMXS_5 DMX Standard Configuration DMXC_5 DMX Non-Standard Custom	1 120V 2 277V	BH27 <sup>7</sup> 27" Solid Bars H12 12" - 24" Expandable Bars H06 6" - 12" Expandable Bars CB24 24" C-Channel Bars EM Integral Emergency Battery FS Fusing EB Black Housing CR Corrosion Resistant PR <sup>8</sup> Deep Ceiling Extension GR Goof Ring AMB Anti Microbial Finish	RA4NXT <sup>9</sup>	SG <sup>10</sup> Semi-Diffuse HZ Haze Full Diffuse MW Matte White MB Matte Black PT Platinum Silver OB Oil Rubbed Bronze CH Charcoal AC Anodic Champagne AS Anodic Sapphire AM Anodic Malachite SN Sun Gold CO Copper Metallic GH Graphite AMB Anti Microbial Finish CC <sup>11</sup> Custom Color	SOX <sup>13</sup> Micro Prism Solite™ Lens GLX <sup>14</sup> Clear Glass Lens PGX Prismatic Glass Lens FGX Frosted Glass Lens SOW Micro Prism Solite™ Lens GLW Clear Glass Lens Wet Location PGW Prismatic Glass Lens Wet Location FGW Frosted Glass Lens Wet Location		
	10L	1000 Lm								27K	2700K
	13L	1300 Lm								30K	3000K
	20L	2000 Lm								35K	3500K
	30L	3000 Lm								40K	4000K
	40L	4000 Lm									
	98 CRI										
	10L	1000 Lm	27HK	2700K							
	13L	1300 Lm	30HK	3000K							
	20L	2000 Lm	35HK	3500K							
	30L	3000 Lm	40HK	4000K							

EXAMPLE: RAZO4XT10L35KNDE1/H12/RA4NXTMW

#### NOTES:

1 Nominal Source Lumens at Any CCT 2 Nominal Delivered Lumens 83 CRI at Any CCT with ND-SG, No Lens, Aimed at 0° 3 XN 13L Max at 83 and 98 CRI 4 Contact Factory for Additional Options 5 Contact Factory 6 See Product Options Page for Details 7 Standard Bar Hangers 8 Contact Factory 9 "N" Indicates Flangeless Trim 10 Standard Finish 11 Contact Factory for Special Finishes 12 Contact Factory for Special Lenses/Louvers 13 Standard Lens for MD, WD, XW 14 Standard Lens for XN and ND



PROJECT: \_\_\_\_\_  
TYPE: \_\_\_\_\_



Dimensions and values shown are nominal. Spectrum Lighting continually works to improve products and reserves the right to make changes which may alter the performance or appearance of products.