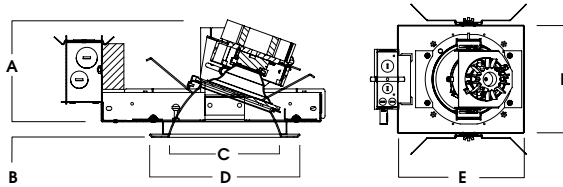
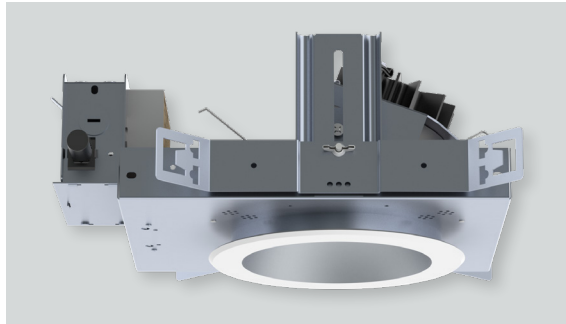
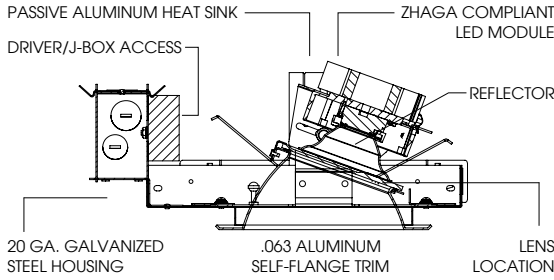




6" ROUND ADJUSTABLE ACCENT XT SERIES / 5000 LUMENS MAX



A	B	C	D	E	F
10L-20L: 5.3	.625	6.0	7.5	13.2	9.5
30L-50L: 6.2	15.2 mm	152.4 mm	191.0 mm	335.3 mm	241.3 mm

RAFO6XT - TRIM FLANGE / NON-IC RATED

APPLICATION

Versatile 6" Round aperture recessed LED accent light with a wide range of lumens and optical controls. Tilts and locks to 30°. Rotates and locks 360°.

FEATURES

LED module tilts 30°, rotates 360°. Two-stage optical system for smooth light distribution and focus control. Quick change LED module with interchangeable optics for job site adjustment and fixture maintenance. Shallow plenum design. Tool-less driver and j-box access. Posi-lock trim retention torsion springs.

TRIM FINISH

A variety of architectural powdercoat and anodized finishes are available. Matte white flange is standard.

ELECTRONICS

LED system features Xicato LED module with proprietary phosphor technology that provides consistent, stable color with CCT control of +/- 100K over life of the light engine. Base CRI is 83 with 2-step MacAdam Ellipse binning. High CRI is 98 with 1x2-step MacAdam Ellipse binning. Variety of electronic 120V/277V and dimming drivers.

CONSTRUCTION

Housing/frame constructed of #20 ga. galvanized steel to resist corrosion. Self-Flanged one piece trim spun from 0.063" thick high purity aluminum and finished to specification.

CODE COMPLIANCE

BAA Compliant. Non-IC rated. ETL certified to meet US and Canadian standards. Suitable for dry or damp locations. Optional Wet location. Manufactured and tested to UL standards No. 1598/8750.

WATTAGE TO LUMENS UPDATE					
CURRENT CAT. NUMBER EXAMPLE	PREVIOUS CAT. NUMBER EXAMPLE	SOURCE LUMENS ¹	DELIVERED LUMENS ²	SYSTEM WATTS	LPW
RAFO6XT10L	RAFO6LEDX115W	1000	833	11.1	75
RAFO6XT13L	RAFO6LEDX120W	1300	1122	15.0	75
RAFO6XT20L	RAFO6LEDX133W	2000	1727	23.7	73
RAFO6XT30L	RAFO6LEDX152W	3000	2590	34.6	75
RAFO6XT40L	N/A	4000	3324	39.9	83
RAFO6XT50L	N/A	5000	4316	54.0	80

SERIES	LUMENS ¹	CCT	OPTICS	DRIVER / DIMMING / VOLTAGE ⁴	OPTIONS ⁷	TRIM	FINISH	TRIM OPTIONS ¹³	
RAFO6XT	83 CRI		XN ³ 10°	E Electronic Driver	1 120V 2 277V	BH27 ⁸ 27" Solid Bars H12 12" - 24" Expandable Bars	RA6FXT ¹⁰	SG ¹¹ Semi-Diffuse	SOX ¹⁴ Micro Prism Solite™ Lens
	10L 1000 Lm	27K 2700K							
	13L 1300 Lm	30K 3000K	MD 45°	DO10 1% 0-10V	CB24 24" C-Channel Bars	MW Matte White	PGX Prismatic Glass Lens		
	20L 2000 Lm	35K 3500K	WD 50°	DS2W1 1% ELV/MLV, 120V		MB Matte Black	FGX Frosted Glass Lens		
	30L 3000 Lm	40K 4000K	XW 55°	DLTE1 ⁵ 1% Lutron® 2-Wire Forward Phase, 120V	EM Integral Emergency Battery	PT Platinum Silver	SOW Micro Prism Solite™ Lens Wet Location		
	40L 4000 Lm	98 CRI		DL3E ⁵ 1% Lutron® EcoSystem®, Fade	FB Fusing	OB Oil Rubbed Bronze		GLW Clear Glass Lens Wet Location	
	50L 5000 Lm		27HK 2700K	EL10 1% eldoLED	EB Black Housing	CH Charcoal	PGW Prismatic Glass Lens Wet Location		
	10L 1000 Lm	30HK 3000K	ED01 0.1% eldoLED	CR Corrosion Resistant	AC Anodic Champagne	AS Anodic Sapphire	FWW Frosted Glass Lens Wet Location		
	13L 1300 Lm	35HK 3500K	DALI DALI Control	PR ⁹ Deep Ceiling Extension	AM Anodic Malachite	CO Copper Metallic	PF ¹⁶ Polished Flange		
	20L 2000 Lm	40HK 4000K	DMXS ⁶ DMX Standard Configuration	GR Goof Ring	SN Sun Gold	GH Graphite	AMB Anti Microbial Finish CC ¹² Custom Color		
30L 3000 Lm		DMXC ⁶ DMX Non-Standard Custom	AMB Anti Microbial Finish	CO Copper					

EXAMPLE: RAFO6XT13L35KNDE1BH27/RA6FXTSG

NOTES:
 1 Nominal Source Lumens at Any CCT 2 Nominal Delivered Lumens 83 CRI at Any CCT with ND-SG, No Lens, Aimed at 0° 3 XN 13L Max at 83 and 98 CRI 4 Contact Factory for Additional Options 5 50L Not Available with Lutron Drivers
 6 Contact Factory 7 See Product Options Page for Details 8 Standard Bar Hangers 9 Contact Factory 10 "F" Indicates Self-Flange Trim, Matte White Standard 11 Standard Finish 12 Contact Factory for Special Finishes
 13 Contact factory for Special Lenses/Louvers 14 Standard Lens for MD, WD, XW 15 Standard Lens for XN and ND 16 Flange and Reflector Same Finish



PROJECT: _____
 TYPE: _____



Dimensions and values shown are nominal. Spectrum Lighting continually works to improve products and reserves the right to make changes which may alter the performance or appearance of products.