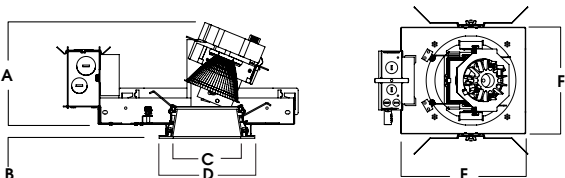
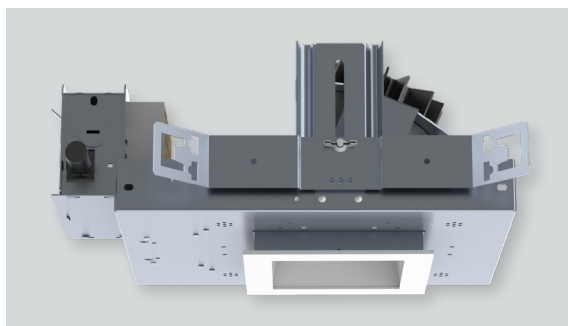
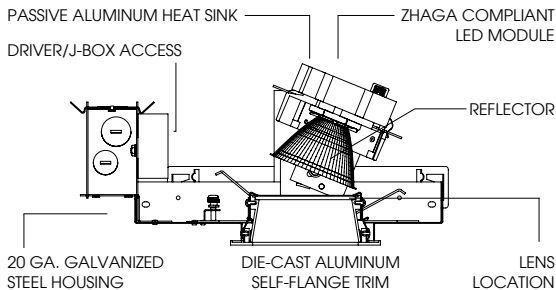




4" SQUARE ADJUSTABLE ACCENT XT SERIES / 4000 LUMENS MAX



A	B	C	D	E	F
10L-20L: 5.8 30L-40L: 6.8	.625 15.2 mm	4.0 101.6 mm	5.4 137.2 mm	11.1 281.9 mm	9.5 241.3 mm

SAFO4XT - TRIM FLANGE / NON-IC RATED

APPLICATION

Versatile 4" Square aperture recessed LED accent light with a wide range of lumens and optical controls.

FEATURES

LED module tilts 35°, rotates 360°. Two-stage optical system for smooth light distribution and focus control. Quick change LED module with interchangeable optics for job site adjustment and fixture maintenance. Shallow plenum design. Tool-less driver and j-box access. Posi-lock trim retention torsion springs. See SAZO4 series for trimless plaster or wood ceiling. Integral .625" collar with deep ceiling option for up to 2" thick ceiling (PR).

TRIM FINISH

A variety of architectural powdercoat and anodized finishes are available. Matte white flange is standard.

ELECTRONICS

LED system features Xicato LED module with proprietary phosphor technology that provides consistent, stable color with CCT control of +/- 100K over life of the light engine. Base CRI is 83 with 2-step MacAdam Ellipse binning. High CRI is 98 with 1x2-step MacAdam Ellipse binning. Variety of electronic 120V/277V and dimming drivers.

CONSTRUCTION

Housing/frame constructed of #20 ga. galvanized steel to resist corrosion. Self-Flanged one piece trim die-cast high purity aluminum and finished to specification.

CODE COMPLIANCE

BAA Compliant. Non-IC rated. UL certified to meet US and Canadian standards. Suitable for dry or damp locations. Optional Wet location. Manufactured and tested to UL standards No. 1598/8750.

WATTAGE TO LUMENS UPDATE					
CURRENT PART NUMBER EXAMPLE	PREVIOUS PART NUMBER EXAMPLE	SOURCE LUMENS ¹	DELIVERED LUMENS ²	SYSTEM WATTS	LPW
SAFO4XT10L	SAFO4LEDX115W	1000	832	11.1	75
SAFO4XT13L	SAFO4LEDX120W	1300	1120	15.0	75
SAFO4XT20L	SAFO4LEDX133W	2000	1723	23.7	73
SAFO4XT30L	SAFO4LEDX152W	3000	2585	34.6	75
SAFO4XT40L	N/A	4000	3317	39.9	83

SERIES	LUMENS ¹	CCT	OPTICS	DRIVER / DIMMING / VOLTAGE ⁴	OPTIONS ⁶	TRIM	FINISH	TRIM OPTIONS ¹³			
SAFO4XT	83 CRI		XN ³ 10° ND 27° MD 40° WD 45° XW 50°	E Electronic Driver DS10 10% 0-10V DO10 1% 0-10V DS2W1 1% ELV/MLV, 120V DLTE1 1% Lutron® 2-Wire Forward Phase, 120V DL3E 1% Lutron® EcoSystem®, Fade EL10 1%, eldoLED ED01 0.1%, eldoLED DALI DALI Control DMXS ⁵ DMX Standard Configuration DMXC ⁵ DMX Non-Standard Custom	1 120V 2 277V	BH27 ⁷ 27" Solid Bars H12 12" - 24" Expandable Bars H06 6" - 12" Expandable Bars CB24 24" C-Channel Bars EM Integral Emergency Battery FS Fusing EB Black Housing CR Corrosion Resistant PR ⁸ Deep Ceiling Extension GR Goof Ring AMB Anti Microbial Finish	SA4FXT ⁷	MW ¹⁰ Matte White MB Matte Black SG ¹¹ Semi-Diffuse HZ ¹¹ Haze Full Diffuse PT Platinum Silver BZ Bronze CH Charcoal AS Anodic Sapphire AM Anodic Malachite SN Sun Gold CO Copper Metallic GH Graphite AMB Anti Microbial Finish CC ¹² Custom Color	SOX ¹⁴ Micro Prism Solite™ Lens GLX ¹⁵ Clear Glass Lens PGX Prismatic Glass Lens FGX Frosted Glass Lens SOW Micro Prism Solite™ Lens Wet Location GLW Clear Glass Lens Wet Location PGW Prismatic Glass Lens Wet Location FGW Frosted Glass Lens Wet Location		
	10L	1000 Lm								27K	2700K
	13L	1300 Lm								30K	3000K
	20L	2000 Lm								35K	3500K
	30L	3000 Lm								40K	4000K
	40L	4000 Lm									
	98 CRI										
	10L	1000 Lm								27HK	2700K
	13L	1300 Lm								30HK	3000K
	20L	2000 Lm								35HK	3500K
	30L	3000 Lm								40HK	4000K

EXAMPLE: SAFO4XT10L35KMDE1H12/SA4FXTMWSOX

NOTES:
 1 Nominal Source Lumens at Any CCT 2 Nominal Delivered Lumens 83 CRI at Any CCT with ND-MW, No Lens, Aimed at 0° 3 XN 13L Max at 83 and 98 CRI 4 Contact Factory for Additional Options 5 Contact Factory
 6 See Product Options Page for Details 7 Standard Bar Hangers 8 Contact Factory 9 "F" Indicates Self-Flange Trim, Matte White Standard 10 Standard Finish 11 Anodized Reflector with Matte White Flange
 12 Contact Factory for Special Finishes 13 Contact Factory for Special Lenses/Louvers 14 Standard Lens for MD, WD, XW 15 Standard Lens for XN and ND



PROJECT: _____
 TYPE: _____



Dimensions and values shown are nominal. Spectrum Lighting continually works to improve products and reserves the right to make changes which may alter the performance or appearance of products.