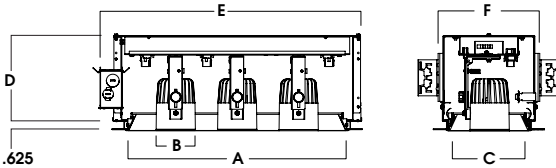
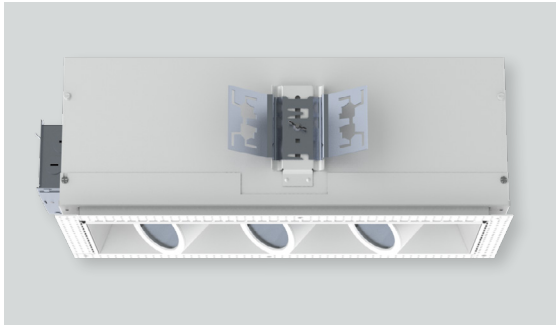
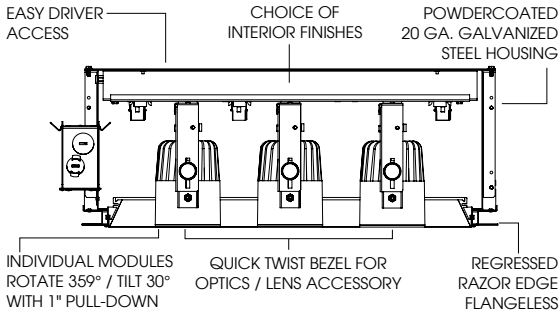




# 6" MODULAR ACCENT LIGHT REGRESSED RAZOR EDGE FLANGELESS

XT LED SERIES / MULTI-MODULE / 4 x 2000 LUMENS



RC618NF3LEDXT Shown with Regressed Razor Edge - Modules Spaced 5.1" O.C.

#OF MODULES	APERTURE			H	L	W	CUTOUT
	A	B	C				
1	6.0	3.3	5.9	7.1	10.2	8.5	7.3" x 7.3"
2	12.0	3.3	5.9	7.1	15.8	8.5	7.3" x 13.3"
3	18.0	3.3	5.9	7.1	21.8	8.5	7.3" x 19.3"
4	24.0	3.3	5.9	7.1	27.8	8.5	7.3" x 25.3"

## RC6-NF3LEDXT - REGRESSED RAZOR EDGE / NON-IC RATED APPLICATION

RC series modular fixture for retail, residential and commercial accent lighting.

**FEATURES**

Regressed Razor Edge Flangeless for plaster ceilings install. Fixture available with 1-4 modules. Fixture modules rotate 359°, lock and tilt to 30° with 1" pull-down for optimal aiming. Easy driver and j-box access. Multi-bar adjustable mounting brackets. Post-lock trim attachment. Front loading lamp bezel accepts up to two lens/louver options.

**TRIM FINISH**  
A variety of architectural powdercoat finishes are available. Plaster mesh filter included.

**ELECTRONICS**  
LED system features Xicato LED module with proprietary phosphor technology that provides consistent stable color with CCT control of +/- 100K over life of the light engine. Base CRI is 83 with 2-step MacAdam Ellipse binning. High CRI is 98 with 1 x 2-step MacAdam Ellipse binning. Variety of electronic 120V/277V and dimming drivers.

**CONSTRUCTION**  
Housing constructed of #20 ga. galvanized steel and powdercoated to resist corrosion. Trim fabricated from aluminum extrusion and finished to specification.

**CODE COMPLIANCE**  
BAA Compliant. Non-IC rated. ETL certified to meet US and Canadian standards. Suitable for dry or damp locations. Manufactured and tested to UL standards No. 1598/8750.

LUMENS / WATTAGE DATA PER MODULE				
PART NUMBER	SOURCE LUMENS <sup>1</sup>	DELIVERED LUMENS <sup>2</sup>	SYSTEM WATTS <sup>3</sup>	LPW
RC66NF3LEDXT10L	1000	765	11.1	69
RC66NF3LEDXT13L	1300	1031	15.0	69
RC66NF3LEDXT20L	2000	1586	23.7	67

Note: 98 CRI (Artist) operates at higher wattage than 83 CRI. In order to have equivalent source lumens, comparatively, as listed below.

SERIES <sup>4</sup>	LUMENS <sup>1</sup>	CCT	BEAM	DRIVER / VOLTAGE <sup>6</sup>	OPTIONS <sup>7</sup>	INTERIOR	TRIM	FINISHES <sup>10</sup>			
RC66NF3 1 Module	LEDXT10L 1000 Lm	83 CRI	XN <sup>5</sup> 10°	E Electronic Driver	1 120V	MWI White	NF166 6" x 6"	MW <sup>11</sup> Matte White			
	LEDXT13L 1300 Lm								2 277V	MBI Black	MB <sup>11</sup> Matte Black
	LEDXT20L 2000 Lm								30K 3000K	PTI Platinum	PT <sup>11</sup> Platinum Silver
RC612NF3 2 Modules		35K 3500K	MD 48°	DO10 1% 0-10V	SO34 Solite Diffusion	BZ Bronze	NF1612 6" x 12"	BZ Bronze			
		40K 4000K			WD 60°	DLTE1 1% ELV/MLV, 120V	SK34 Linear	CCI Custom Color	CH Charcoal	CH Charcoal	
RC618NF3 3 Modules				DL3E 1% Lutron® EcoSystem®	HL34 Hex Louver		NF1618 6" x 18"	GH Graphite			
RC624NF3 4 Modules		98 CRI ARTIST		EL10 1% eldoLED	SN34 Snoot		NF1624 6" x 24"	SN Sun Gold			
			27HK 2700K	ED01 0.1% eldoLED	LN34 <sup>8</sup> Color Lens	AC Champagne					
			30HK 3000K	DALI DALI Control	OPTIONS	CN Caramel					
			35HK 3500K		BH27 27" Flat Bar	CC Custom Color					
	40HK 4000K		CB24 24" C-Channel	FS Fusing							
				EMRM Emergency Battery							
				PR <sup>9</sup> Deep Plaster Neck							

**EXAMPLE:** RC624NF3LEDXT10L27KMDE1/CB24/MWI/NF1624/MW

**NOTES:**  
 1 Nominal Source Lumens at Any CCT - Per Module    2 Nominal Delivered Lumens 83 CRI at Any CCT with ND, No Lens - Per Module    3 One Module Including Thermal Protector for Fixture, 83 CRI    4 PZ Fitter Shipped Separately  
 5 9mm, 13L Max. All XN Draw More Watts Than Other Optics; See Photometry    6 Contact Factory for Additional Options    7 See Product Options Page for Details    8 See Lens Options Page for Details    9 Contact Factory  
 10 See Color Page for More Options/Consult Factory for Special Finishes    11 Standard Finishes



PROJECT: \_\_\_\_\_  
 TYPE: \_\_\_\_\_



Dimensions and values shown are nominal. Spectrum Lighting continually works to improve products and reserves the right to make changes which may alter the performance or appearance of products.