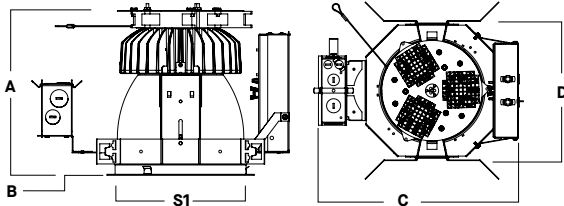
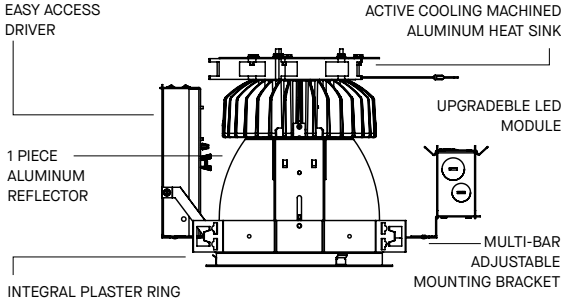




# 8" DEEP ROUND LX SERIES / 10000 LUMENS



A	B	C	D	S1
10.3 261.6 mm	0.625 15.8 mm	15.2 386.1 mm	10.6 269.2 mm	7.5 190.5 mm

## SGV8LX - TRIM FLANGE / NON-IC RATED

### APPLICATION

8" recessed open aperture high output fixture for high ceiling area lighting with deep cutoff.

### FEATURES

Single stage optical system with deep reflector design delivers smooth general illumination. Delivers 7199 lumens. Multi-Bar mounting brackets. BH27 Standard mounting bars included. Integral 0.625" collar, with plaster option (PR) for up to 3" thick ceiling.

### FINISH

Semi-Diffuse finish is standard with matching or white flange option.

### ELECTRONICS

LX LED system features high brightness white LED's. 3 step MacAdam Ellipse binning. Standard CRI: 80+. Higher CRI, R9 and custom LED configurations are available; consult factory. Variety of electronic 120V/277V and dimming drivers. Active cooling provided by 3 fans mounted above the heatsink, each consuming 1W.

### CONSTRUCTION

Housing/frame constructed of #20 ga. galvanized steel to resist corrosion. Self-flanged one piece trim spun from 0.063" thick high purity aluminum and finished to specification. Extruded and machined 6063-H32 aluminum heatsink. Carbon gasket for optimal thermal management.

### CODE COMPLIANCE

BAA Compliant. Non-IC rated. ETL listed for damp locations. Manufactured and tested to UL standards No. 1598/8750.

WATTAGE TO LUMENS UPDATE				
PART NUMBER	SOURCE LUMENS <sup>1</sup>	DELIVERED LUMENS <sup>2</sup>	SYSTEM WATTS	LPW
SGV8LX100L	10000	7199	86.1	84

SERIES	LUMENS <sup>1</sup>	CCT	BEAM	DRIVER / VOLTAGE	OPTIONS <sup>4</sup>	TRIM	FINISH	FLANGE FINISH	TRIM OPTIONS		
SGV8LX	100L	10000 Lm	27K 2700K	MD 52°	E_ Electronic Driver 10% 0-10V	1 120V	BH27 <sup>5</sup> 27" Solid Bars	AR8664LX MD Medium Beam	SG Semi-Diffuse	WF White Flange Matching Flange	GS Gasket
			30K 3000K								
			35K 3500K		DMXS_ 3 DMX Standard Configuration		H12 12" - 24" Expandable Bars				
			40K 4000K		DMXC_ 3 DMX Non-Standard Custom		CB24 24" C-Channel Bars				
							FS Fusing				
							EM1 Emergency Battery Pack, 120V				
							EM2 Emergency Battery Pack, 277V				
							CR Corrosion Resistant				
							PR <sup>6</sup> Deep Ceiling Extension				
							TBC T-bar Clips (for BH27)				
							GR Goof Ring				
							EB Black Housing				
								AR8664LX WD Wide Beam			

**EXAMPLE:** SGV8LX140L30KMDE1/BH27/AR8664LXWDSGWF

**NOTES:**

1 Nominal Source Lumens 2 Nominal Delivered Lumens at 35K with WD Trim 3 Contact Factory 4 See Product Options Page for Details 5 Standard Bar Hangers 6 Contact Factory



PROJECT: \_\_\_\_\_  
TYPE: \_\_\_\_\_



Dimensions and values shown are nominal. Spectrum Lighting continually works to improve products and reserves the right to make changes which may alter the performance or appearance of products.