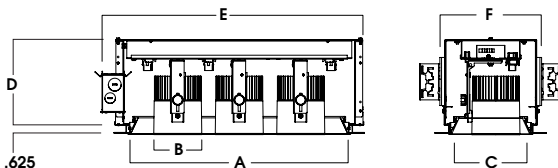
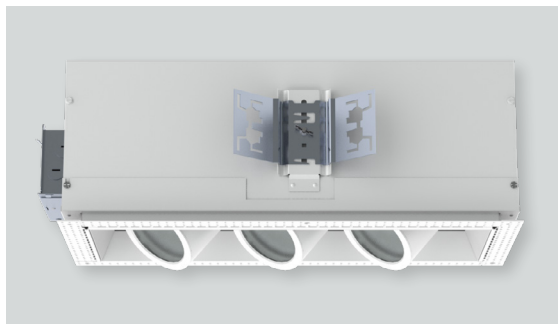
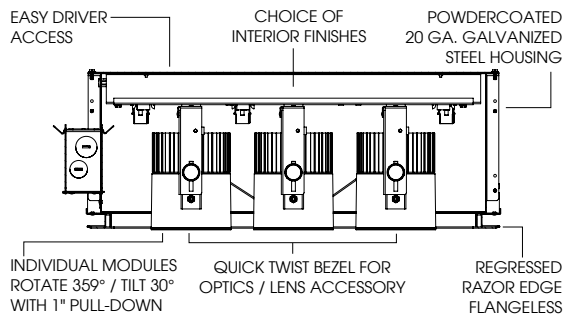




6" MODULAR ACCENT LIGHT REGRESSED RAZOR EDGE FLANGELESS

XT LED SERIES / MULTI-MODULE / 4 x 5000 LUMENS



RC618NF4LEDXT Shown with Regressed Razor Edge - Modules Spaced 5.1" O.C.

#OF MODULES	APERTURE			H	L	W	CUTOUT
	A	B	C				
1	6.0	4.0	6.0	7.1	10.2	8.5	7.3" x 7.3"
2	12.0	4.0	6.0	7.1	15.8	8.5	7.3" x 13.3"
3	18.0	4.0	6.0	7.1	21.8	8.5	7.3" x 19.3"
4	24.0	4.0	6.0	7.1	27.8	8.5	7.3" x 25.3"

RC6-NF4LEDXT - REGRESSED RAZOR EDGE / NON-IC RATED APPLICATION

RC series modular fixture for retail, residential and commercial accent lighting.

FEATURES

Regressed Razor Edge Flangeless for plaster ceilings install. Fixture available with 1-4 modules. Fixture modules rotate 359°, lock and tilt to 30° with 1" pull-down for optimal aiming. Easy driver and j-box access. Multi-bar adjustable mounting brackets. Post-lock trim attachment. Front loading lamp bezel accepts up to two lens/louver options.

TRIM FINISH

A variety of architectural powdercoat finishes are available. Plaster mesh filter included.

ELECTRONICS

LED system features Xicato LED module with proprietary phosphor technology that provides consistent stable color with CCT control of +/- 100K over life of the light engine. Base CRI is 83 with 2-step MacAdam Ellipse binning. High CRI is 98 with 1 x 2-step MacAdam Ellipse binning. Variety of electronic 120V/277V and dimming drivers.

CONSTRUCTION

Housing constructed of #20 ga. galvanized steel and powdercoated to resist corrosion. Trim fabricated from aluminum extrusion and finished to specification.

CODE COMPLIANCE

BAA Compliant. Non-IC rated. ETL certified to meet US and Canadian standards. Suitable for dry or damp locations. Manufactured and tested to UL standards No. 1598/8750.

LUMENS / WATTAGE DATA PER MODULE				
PART NUMBER	SOURCE LUMENS ¹	DELIVERED LUMENS ²	SYSTEM WATTS ³	LPW
RC66NF4LEDXT10L	1000	864	11.1	78
RC66NF4LEDXT13L	1300	1164	15.0	78
RC66NF4LEDXT20L	2000	1791	23.7	76
RC66NF4LEDXT30L	3000	2687	34.6	78
RC66NF4LEDXT40L	4000	3448	39.9	86
RC66NF4LEDXT50L	5000	4478	54.0	83

Note: 98 CRI (Artist) operates at higher wattage than 83 CRI. In order to have equivalent source lumens, comparatively, as listed below.

SERIES ⁴	LUMENS ¹	CCT	BEAM	DRIVER / VOLTAGE ⁸	OPTIONS ¹⁰	INTERIOR	TRIM	FINISHES ¹³		
RC66NF4 1 Module	LEDXT10L	1000 Lm	83 CRI	Electronic Driver 1 120V 2 277V	LENS SO35 Solite Diffusion GL35 Clear FG35 Frosted SK35 Linear HL35 Hex Louver SN35 Snoot LN35 ¹¹ Color Lens	MWI White MBI Black PTI Platinum BZI Bronze CCI Custom Color	NF166 6" x 6"	MW ¹⁴ Matte White MB ¹⁴ Matte Black PT ¹⁴ Platinum Silver		
	LEDXT13L	1300 Lm	27K 2700K						ND 26°	DS10_ 10% 0-10V
	LEDXT20L	2000 Lm	30K 3000K						MD 48°	DO10_ 1% 0-10V
RC612NF4 2 Modules	LEDXT30L ⁵	3000 Lm	35K 3500K	1% ELV/MLV, 120V 1% Lutron® 2-Wire Forward Phase, 120V	DL3E_° 1% Lutron® EcoSystem® Fade EL10_ 1%, eldoLED	BZ Charcoal GH Graphite SN Sun Gold AC Champagne	NF1612 6" x 12"	CH Charcoal		
	LEDXT40L ⁵	4000 Lm	40K 4000K						WD 60°	DLTE1°
RC618NF4 3 Modules	LEDXT50L ⁵	5000 Lm	98 CRI ARTIST ⁶	1% Lutron® 2-Wire Forward Phase, 120V	DL3E_° 1% Lutron® EcoSystem® Fade EL10_ 1%, eldoLED	CC Custom Color	NF1618 6" x 18"	SN Sun Gold AC Champagne		
RC624NF4 4 Modules									27HK 2700K	ED01_ 0.1%, eldoLED
									30HK 3000K	DALI_ DALI Control
									35HK 3500K	
		40HK 4000K			BH27 27" Flat Bar CB24 24" C-Channel CB48 48" C-Channel FS Fusing EMRM Emergency Battery PR ¹² Deep Plaster Neck	NF1624 6" x 24"	AN Anodic Natural CN Caramel CC Custom Color			

EXAMPLE: RC624NF4LEDXT10L27KMDE1/CB24/MWI/NF1624/MW

NOTES:

1 Nominal Source Lumens at Any CCT - Per Module 2 Nominal Delivered Lumens 83 CRI at Any CCT with ND, No Lens - Per Module 3 One Module Including Thermal Protector for Fixture, 83 CRI 4 PZ Filter Shipped Separately
5 Requires Active Cooling. Account for 1 Watt Per Module 6 30L Max 79mm, 13L Max. All XN Draw More Watts than Other Optics: See Photometry 8 Contact Factory for Additional Options 9 50L Not Available with Lutron Drivers
10 See Product Options Page for Details 11 See Lens Options Page for Details 12 Contact Factory 13 See Color Page for More Options/Consult Factory for Special Finishes 14 Standard Finishes



PROJECT: _____
TYPE: _____



Dimensions and values shown are nominal. Spectrum Lighting continually works to improve products and reserves the right to make changes which may alter the performance or appearance of products.