



BANCO PENDANT
DAMP LOCATION
GV SERIES

PROJECT: _____
 QUANTITY: _____ TYPE: _____



RG1817GV
 MB - Matte Black
 MWI - Matte White Interior
 SNM - Sun Gold Decorative Arms



RG1817GV
 MW - Matte White
 FCI - Fixture Color Interior
 MBM - Matte Black Decorative Arms



RG1817GV
 PT - Platinum Silver
 BLI - Blue Streak Interior
 MBM - Matte Black Decorative Arms



RG1817GV
 CH - Charcoal
 MBI - Matte Black Interior
 CCM - RD - Red Decorative Arms

SERIES	LUMENS ¹	CCT	DRIVER / DIMMING ²	MOUNTING ⁵	DECO ARM	INTERIOR ⁹	FINISH ⁹	
RG1817GV	15L 1500 Lm	27K 2700K	EX Electronic Driver, 120V/277V DO10X 1% 0-10V, 120V/277V DS2W1³ ELV/MLV, 120V DLTE1⁴ Lutron® 2-Wire Forward Phase (MLV), 120V DL3EX⁴ 1%, Lutron® EcoSystem®, Fades to Black, 120V/277V	RDC5 Small Driver Canopy CP13 Small Driver Canopy HM⁶ Hang Straight PM⁶ Rigid Pendant Mount CD⁶ Cord / Cable Mount CHN⁶ Chain / Cord EMCR⁷ 10W Canopy Mounted EM EMRM 7W Remote EM EMEN 7W Remote with Enclosure	CY⁸ Same Color as CC⁸ Shade Custom Color See Page 5 for Full Range of Color Options (83-90083)	M Mounting Finish	MW¹⁰ Matte White CC¹⁰ Custom Color FC¹⁰ Fixture Color Interior See Page 5 for Full Range of Color Options (83-90083)	I Interior Finish MW¹⁰ Matte White MB¹⁰ Matte Black PT¹⁰ Platinum Silver CC Custom Color See Page 5 for Full Range of Color Options (83-90083)
	27L 2700 Lm	30K 3000K						
	37L 3700 Lm	35K 3500K						
	55L 5500 Lm	40K 4000K						

EXAMPLE: RG1817GV27L35KEX/RDC5CHN12SNMMWIMB

NOTES:
 1 Nominal Source Lumens At 35K 2 Contact Factory for Additional Options 3 37L Max with RDC5, 55L Max with CP13 4 Available with CP13 Only 5 See Mounting Page for Details on Components 6 Specify Length in Inches: See Mounting Page for Available Lengths 7 EMCR Replaces RDC5 or CP13 8 Standard Color If Not Specified 9 See Color Page for More Options/Consult Factory for Special Finishes 10 Standard Finishes





DECORATIVE

BANCO PENDANT

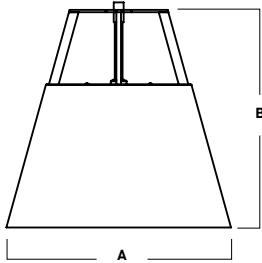
DAMP LOCATION

GV SERIES

LUMENS / WATTAGE DATA				
PART NUMBER	SOURCE LUMENS ¹	DELIVERED LUMENS ²	SYSTEM WATTS	LPW
RG1817GV15L	1600	1105	10	111
RG1817GV27L	2700	1882	18	105
RG1817GV37L	3700	2782	26	107
RG1817GV55L	5500	4092	39	105

¹ Nominal Source Lumens at 35K ² Nominal Delivered Lumens at 35K MWI Interior Finish

HOUSING DIMENSIONS



A	B
18.1 459.7 mm	17.6 447.0 mm

APPLICATION

Banco Pendant Decorative fixture for general illumination.

FEATURES

SpecLume series fixtures offer contemporary style with functional luminaire performance. Fixtures are designed and manufactured in our factory. Banco Pendant offers a variety of interior and exterior colors and mountings for a creative design. LED module is interchangeable for ease of maintenance. LED module and driver are serviceable for future replacement.

FINISH

Multi-stage polyester powder-coat process applied on our dedicated paint lines. A wide variety of standard and custom finishes are available. All exposed materials are chromate pretreated to resist corrosion. Interior is Matte White unless specified. Custom Color interior finish available.

ELECTRONICS

GV LED system features high brightness white Samsung LED's. 3-step MacAdam Ellipse binning. Standard CRI: 80+. Higher CRI, R9 and custom LED configurations are available; consult factory. Variety of electronic 120V/277V and dimming drivers.

CONSTRUCTION

Fixtures are spun in our factory from 0.063 high purity aluminum. Passive cast aluminum heat sink for optimal thermal management.

CODE COMPLIANCE

BAA compliant. ETL certified to meet US and Canadian standards. Suitable for dry or damp locations. Manufactured and tested to UL standards No. 1598/8750.

SERIES SIZES

RG1817GV



CEILING MOUNT

(SEE MOUNTING PAGES FOR MORE OPTIONS & CANOPY DIMENSIONS.)

HM / PM
HANG STRAIGHT / PENDANT



RG1817GV SHOWN WITH RDC5PM

CD
CORD / CABLE MOUNT



RG1817GV SHOWN WITH RDC5CD

CHN
CHAIN / CORD



RG1817GV SHOWN WITH RDC5CHN





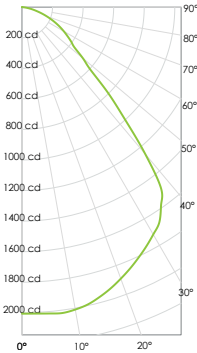
BANCO PENDANT

DAMP LOCATION

GV SERIES / PHOTOMETRIC DATA

RG1817GV 55L35K EX CD MWI

CANDLEPOWER CURVE TEST SP-00556_1	INTENSITY CANDELA 0° AZIMUTH	ZONAL LUMENS		SINGLE UNIT: PERFORMANCE INITIAL FOOTCANDLES BASED ON IES BEAM ANGLE				MULTIPLE UNITS: PERFORMANCE 80/50/20% REFLECTANCES INITIAL FOOTCANDLES AND WATTS PER SQUARE FOOT						
		0° - 10°	196	5%	Mounting Height AFF	FC at Center on Floor	Beam Diameter	FC at Beam Edge	Ceiling Height	Fixture Spacing	RCR 2		RCR 4	
	0.00°	0° - 10°	196	5%	6.0'	56 fc	11.1'	26 fc	14'	10'	FC +	W/Sq. Ft.	FC +	W/Sq. Ft.
	0.00°	0° - 20°	755	18%	8.0'	31 fc	14.8'	14 fc	18'	12'	43	0.43	22	0.28
	5.00°	0° - 30°	1,599	39%	10.0'	20 fc	18.5'	9 fc	22'	14'	21	0.21	25	0.31
	10.00°	0° - 40°	2,608	64%	12.0'	14 fc	22.3'	6 fc	22'	14'	18	0.18	15	0.18
	15.00°	0° - 60°	3,692	90%	14.0'	10 fc	26.0'	5 fc	Delivered Illuminance Rating: (DIR)		99 FC per W/Sq. Ft.		81 FC per W/Sq. Ft.	
	20.00°	0° - 80°	4,069	99%	16.0'	8 fc	29.7'	4 fc	2' Suspension Length Square rooms used for multiple units: - RCR 2: Length & Width = Ceiling Ht. - 4.5' x 5.00 - RCR 4: Length & Width = Ceiling Ht. - 4.5' x 2.50 * Average Footcandles at 2.5' Above Floor					
	30.00°	0° - 90°	4,092	100%	20.0'	5 fc	37.1'	2 fc	Lumen Multiplier: 15L x 0.27, 27L x 0.46, 37L x 0.68 CCT Multiplier: 27K x 0.97, 30K x 0.99, 40K x 1.03					
	40.00°	Total	4,092	100%	24.0'	3 fc	44.5'	2 fc						



Delivered Lumens: **4,092**
Luminaire Watts: **39**
LER: **104.92**

CP at 0deg (Nadir): **2,006**
CRI: **80**

Beam Angle: **86.8**
Spacing Ratio: **1.27**

Lumen Multiplier: **15L x 0.27, 27L x 0.46, 37L x 0.68**
CCT Multiplier: **27K x 0.97, 30K x 0.99, 40K x 1.03**

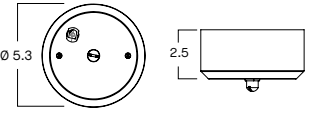
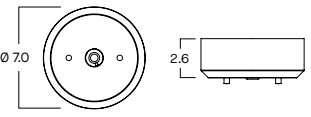
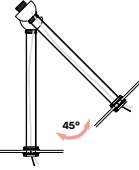
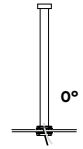
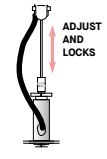



MOUNTING & ACCESSORIES

SOME OPTIONS NOT AVAILABLE ON ALL FIXTURES. CONSULT SPECIFICATION SHEETS. SEE INDIVIDUAL SPECIFICATION SHEETS OR CONSULT FACTORY FOR ADDITIONAL INFORMATION.
NOTE: THIS IS TYPICAL OF SPECULUME SPECIFICATION FOR PENDANT MOUNTING. INDIVIDUAL FIXTURES OR PROJECTS MAY HAVE SPECIALIZED REQUIREMENTS.



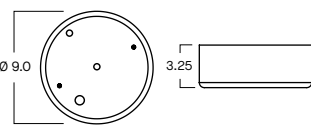
CEILING MOUNTING

<p>RDC5 - SMALL DRIVER CANOPY (STANDARD) MOUNTS TO 4" OCTO J-BOX</p>  <p>CP13 - LARGE DRIVER CANOPY</p> 	<p>HM* HANG STRAIGHT 45° SWIVEL 1/2" STEM - 3/8" NPT</p>  <p>ORDER: HM (Length) SPECIFY LENGTH: HM3 - 3" HM24 - 24" HM6 - 6" HM36 - 36" HM12 - 12" HM48 - 48" HM18 - 18" HM72 - 72" HMLC(XX) Custom Length (Specify in Inches)</p>	<p>PM* RIGID PENDANT MOUNT RIGID 1/2" STEM - 3/8" NPT</p>  <p>ORDER: PM (Length) SPECIFY LENGTH: PM3 - 3" PM24 - 24" PM6 - 6" PM36 - 36" PM12 - 12" PM48 - 48" PM18 - 18" PM72 - 72" PMLLC(XX) Custom Length (Specify in Inches)</p>	<p>CD CORD / CABLE MOUNT SJ CORD WITH 1/16 SS CABLE</p>  <p>ORDER: CD (Length) SPECIFY LENGTH: CD36 - 36" CD72 - 72" CD144 - 144" CDLC(XX) Custom Length (Specify in Inches)</p>	<p>CHN CHAIN MOUNT SJ CORD / DECORATIVE CHAIN</p>  <p>ORDER: CHN (Length) SPECIFY LENGTH: CHN36 - 36" CHN72 - 72" CHN144 - 144" CHNLC(XX) Custom Length (Specify in Inches)</p>
--	--	--	---	--

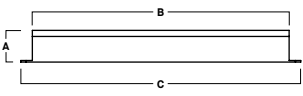
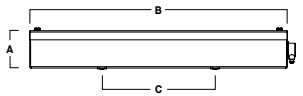
*MAXIMUM ONE PIECE STEM LENGTH IS 72". LONGER LENGTHS ARE POSSIBLE USING MULTIPLE STEMS AND COUPLERS.

EMERGENCY BATTERY OPTIONS

EMCR - LARGE DRIVER CANOPY FOR TOW EMERGENCY BATTERY (FOR ROUND CEILING MOUNT TYPES)



REMOTE EMERGENCY BATTERY OPTIONS

<p>EMRM* - 7W REMOTE EMERGENCY BATTERY (50' MAX)</p>  <table border="1" data-bbox="568 1018 763 1060"> <thead> <tr> <th>A</th> <th>B</th> <th>C</th> </tr> </thead> <tbody> <tr> <td>1.3</td> <td>12.6</td> <td>13.0</td> </tr> </tbody> </table>	A	B	C	1.3	12.6	13.0	<p>EMEN* - 7W REMOTE EMERGENCY BATTERY WITH ENCLOSURE (50' MAX)</p>  <table border="1" data-bbox="933 1018 1128 1060"> <thead> <tr> <th>A</th> <th>B</th> <th>C</th> </tr> </thead> <tbody> <tr> <td>2.0</td> <td>17.0</td> <td>6.2</td> </tr> </tbody> </table>	A	B	C	2.0	17.0	6.2
A	B	C											
1.3	12.6	13.0											
A	B	C											
2.0	17.0	6.2											

*OTHER EM BATTERY SIZES AVAILABLE, CONSULT FACTORY



COLOR OPTIONS - POWDER COAT PAINT FINISHES

NOTE: NO PRINTED IMAGE CAN EQUAL THE EXACT COLOR OF FINISH ON METAL.
SEE INDIVIDUAL SPECIFICATION SHEETS OR CONSULT FACTORY FOR ADDITIONAL INFORMATION.



STANDARD CORD / STEM / CANOPY FINISHES

FIXTURE COLOR	STANDARD CORD COLOR	STANDARD CANOPY / STEM COLOR
Matte White, Textured White	Matte White	Matte White
Gloss White	Matte White	Gloss White
Matte Black, Gloss Black, Textured Black	Matte Black	Matte Black
All Others	Matte Black	Same Color as Fixture
Custom Color	Contact Factory	Contact Factory

PAINT TIMES

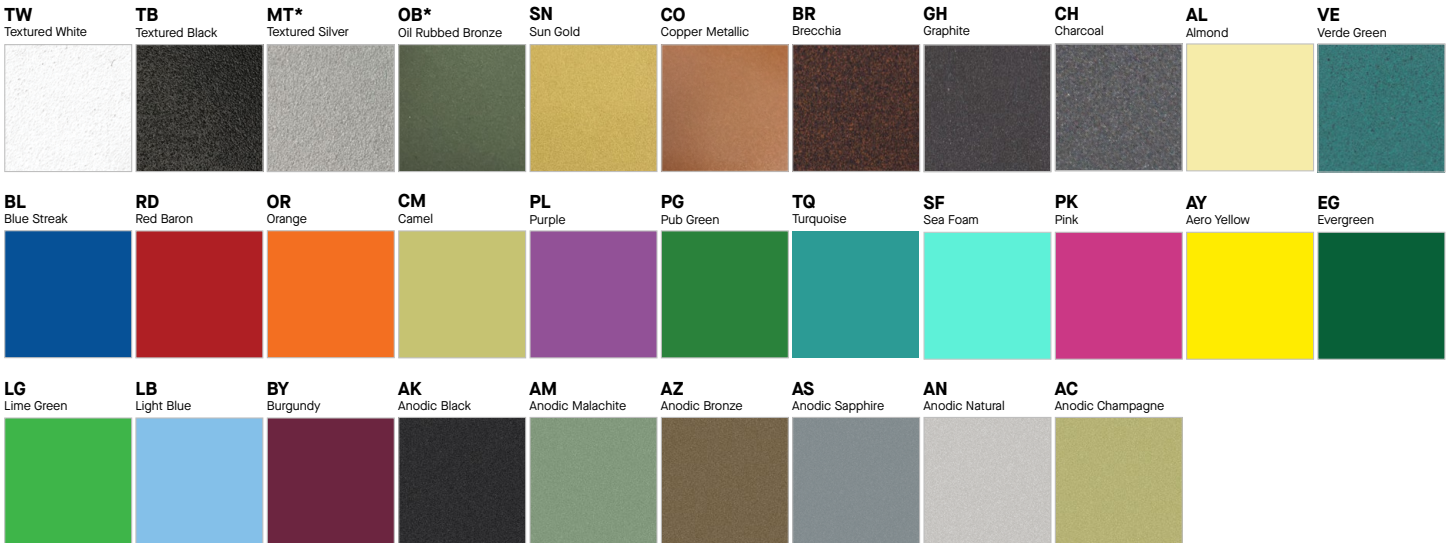
TIER	COST	AVERAGE PAINT TIME*
Tier 1 - Standard Finishes	\$	⌚
Tier 2 - Typical Finishes	\$\$	⌚⌚
Tier 3 - Special Metal Finishes	\$\$\$	⌚⌚⌚
Custom Color	Contact Factory	Contact Factory

*CONTACT FACTORY FOR SPECIFIC PRODUCT LEAD TIMES

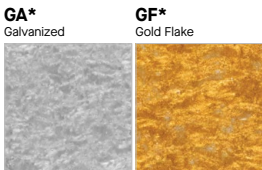
TIER 1 - STANDARD FINISHES



TIER 2 - TYPICAL FINISHES



TIER 3 - SPECIAL METAL FINISHES



CUSTOM COLOR FINISHES

CONTACT FACTORY

CC
Custom Color



*UNAVAILABLE FOR WET LOCATION

