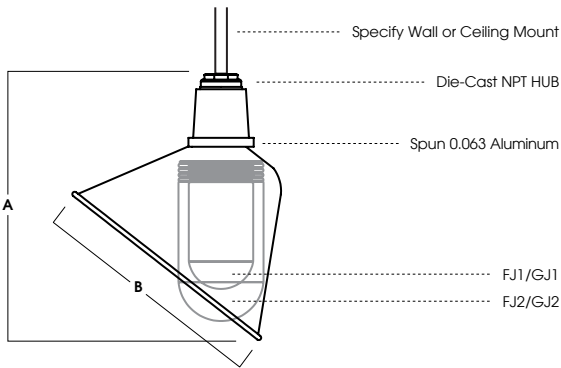




# ANGLED REFLECTOR

SIGN LIGHT SERIES / INC

PROJECT: \_\_\_\_\_  
 QUANTITY: \_\_\_\_\_ TYPE: \_\_\_\_\_



Dimensioned with **AR1214INC**

SERIES	A	B
AR1012INC	10.4	10.3
AR1214INC	12.9	12.3

## AR-INC - INTERIOR

### APPLICATION

Angled Reflector light is perfect for a variety of sign and surface lighting applications. INC Series is designed for indoor damp locations

### FEATURES

Spectrum Lighting's RLM Classics are reproductions of early American lighting fixtures reimagined with modern INC light sources and materials. The wide range of options for illumination, mounting, enclosures, guards and finishes allows for creative fixture specification and design. Available in two sizes.

### FINISH

Multi-stage polyester powder-coat process applied on our dedicated paint lines. Variety of standard and custom finishes are available. Interior is Matte White unless specified.

### ELECTRONICS

E26 Edison medium base 120V socket for incandescent or LED lamps. Contact factory for other available socket options.

### CONSTRUCTION

Fixture shades are spun in our factory from 0.063 high purity aluminum. Wall mount canopies are die-cast aluminum with stainless steel hardware. Wall arms are formed 3/4 NPT aluminum pipe.

### CODE COMPLIANCE

BAA Compliant. ETL listed for dry/damp locations. Manufactured and tested to UL standards No. 1598/8750.

SERIES	ACCESSORIES <sup>1</sup>	MOUNTING <sup>4</sup>	EXTERIOR FINISH	
AR1012INC AR1214INC	3" DIAMETER		<b>GW</b> Gloss White <b>MW</b> Matte White <b>MB</b> Matte Black <b>BZ</b> Bronze <b>PT</b> Platinum Silver <b>GA</b> Galvanized <b>CH</b> Charcoal <b>SN</b> Sun Gold <b>EG</b> Evergreen <b>BL</b> Blue Streak <b>AY</b> Aero Yellow <b>RD</b> Red Baron <b>CO</b> Copper Metallic <b>CC</b> Custom Color	
	<b>FJ1</b> <sup>2</sup>	3"x6.5" Frosted Glass		<b>WALL MOUNT</b> <b>CP6</b> <sup>6</sup> Wall Pipe Interface <b>CP3</b> CP6 Decorative Cover <b>PA</b> <sup>5</sup> Mounting Arm Style
	<b>GJ1</b>	3"x6.5" Clear Glass		
	<b>PJ3</b>	3"x6.5" Prismatic Glass		<b>CEILING MOUNT</b> <b>HM</b> <sup>3</sup> Hang Straight Pendant <b>AT</b> <sup>3</sup> Adjustable Length Hang Straight Pendant <b>PM</b> <sup>3</sup> Pendant/Straight Mount <b>HC</b> Hook/Cord <b>CD</b> <sup>3</sup> Cord and Cable Mount <b>CM</b> <sup>3</sup> Cord Mount <b>CHN</b> <sup>3</sup> Chain Mount
	<b>AJ1</b>	3"x6.5" Amber Glass		
	<b>RDJ1</b>	3"x6.5" Red Glass		
	<b>GRJ1</b>	3"x6.5" Green Glass		
	<b>BLJ1</b>	3"x6.5" Blue Glass		
	<b>WJ1</b>	Wire Guard		
	<b>CG1</b>	Cast Wire Guard		
<b>SS1</b>	Side Lamp Shield			
<b>BS1</b>	Bottom Lamp Cup			
<b>WL</b> <sup>3</sup>	Wet Location			
	4" DIAMETER			
	<b>FJ2</b> <sup>2</sup>	4"x8" Frosted Glass		
	<b>GJ2</b>	4"x8" Clear Glass		
	<b>WJ2</b>	Wire Guard		
	<b>WL</b> <sup>3</sup>	Wet Location		

**EXAMPLE:** AR1012INCFJ1HM36MW

**NOTES:**  
 1 See Enclosures & Guards Page for Wire Guards and Additional Options 2 Standard Enclosure 3 PM Mounting Recommended 4 See Mounting Pages Options and Details on Components and Finishes  
 5 See Mounting Page for Available Arm Options 6 Specify Length in Inches 7 See Color Page for More Options/Consult Factory for Special Finishes



# COLOR OPTIONS - POWDER COAT PAINT FINISHES

NOTE: NO PRINTED IMAGE CAN EQUAL THE EXACT COLOR OF FINISH ON METAL.  
SEE INDIVIDUAL SPECIFICATION SHEETS OR CONSULT FACTORY FOR ADDITIONAL INFORMATION.



## STANDARD CORD / STEM / CANOPY FINISHES

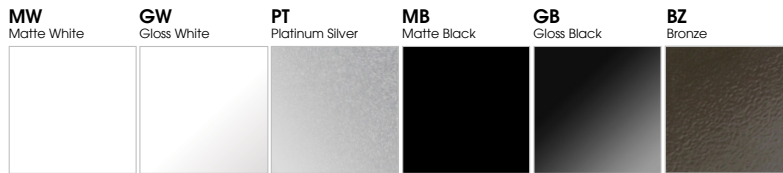
FIXTURE COLOR	STANDARD CORD COLOR	STANDARD CANOPY / STEM COLOR
Matte White, Textured White	Matte White	Matte White
Gloss White	Matte White	Gloss White
Matte Black, Gloss Black, Textured Black	Matte Black	Matte Black
All Others	Matte Black	Same Color as Fixture
Custom Color	Contact Factory	Contact Factory

## PAINT TIMES

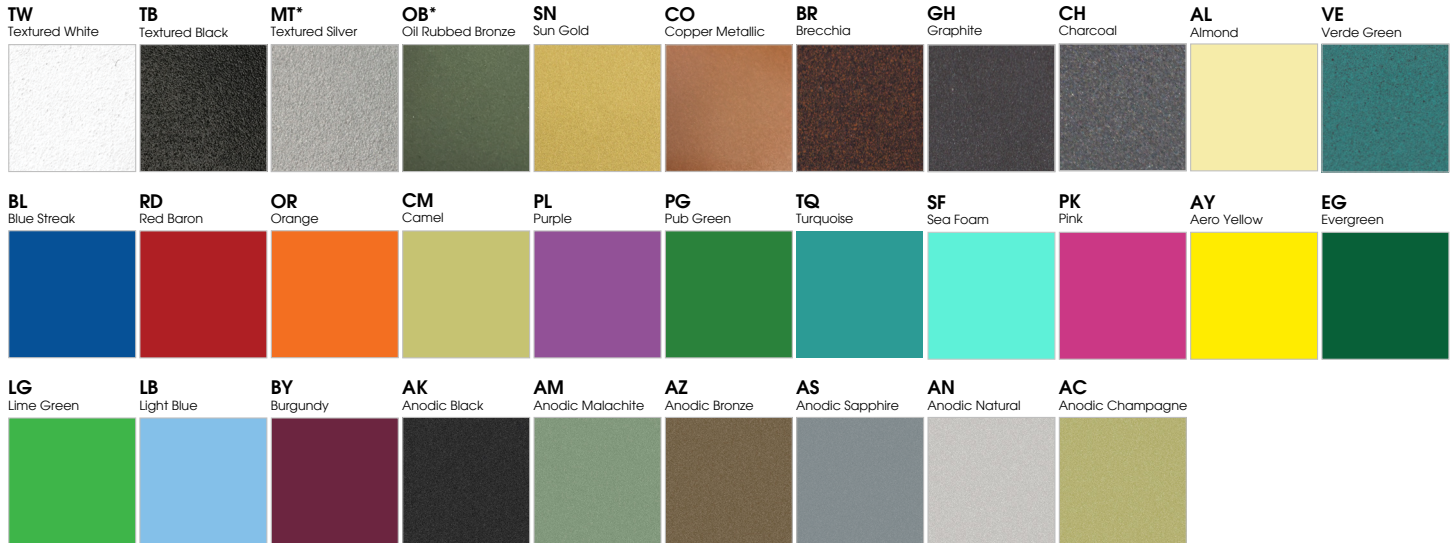
TIER	COST	AVERAGE PAINT TIME*
Tier 1 - Standard Finishes	\$	⓪
Tier 2 - Typical Finishes	\$\$	⓪⓪
Tier 3 - Special Metal Finishes	\$\$\$	⓪⓪⓪
Custom Color	Contact Factory	Contact Factory

\*CONTACT FACTORY FOR SPECIFIC PRODUCT LEAD TIMES

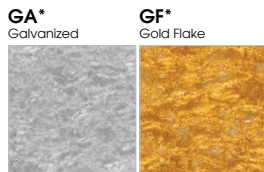
## TIER 1 - STANDARD FINISHES



## TIER 2 - TYPICAL FINISHES



## TIER 3 - SPECIAL METAL FINISHES



## CUSTOM COLOR FINISHES

CONTACT FACTORY

**CC**  
Custom Color



\*UNAVAILABLE FOR WET LOCATION

