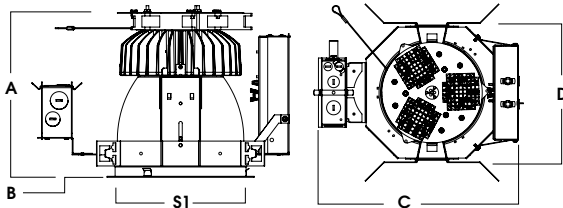
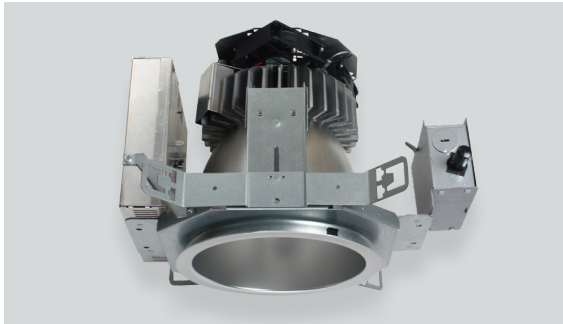
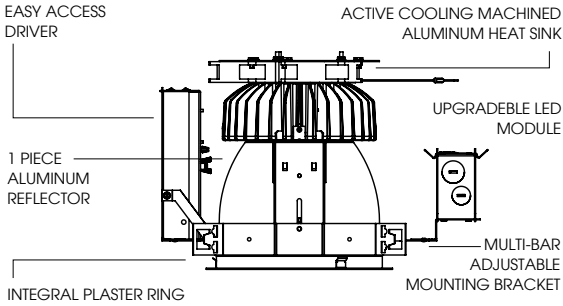




# 8" DEEP ROUND LX SERIES / 17000 LUMENS



A	B	C	D	S1
10.3	0.625	15.2	10.6	7.5
261.6 mm	15.8 mm	386.1 mm	269.2 mm	190.5 mm

## SGV8LX - TRIM FLANGE / NON-IC RATED

### APPLICATION

8" recessed open aperture high output fixture for high ceiling area lighting with deep cutoff.

### FEATURES

Single stage optical system with deep reflector design delivers smooth general illumination. Delivers a range of 5300-11700 lumens. Multi-Bar mounting brackets. BH27 Standard mounting bars included. Integral 0.625" collar, with plaster option (PR) for up to 3" thick ceiling.

### FINISH

Semi-Diffuse finish is standard with matching or white flange option.

### ELECTRONICS

LX LED system features high brightness white LED's. 3 step MacAdam Ellipse binning. Standard CRI: 80+. Higher CRI, R9 and custom LED configurations are available; consult factory. Variety of electronic 120V/277V and dimming drivers. Active cooling provided by 3 fans mounted above the heatsink, each consuming 1W.

### CONSTRUCTION

Housing/frame constructed of #20 ga. galvanized steel to resist corrosion. Self-flanged one piece trim spun from 0.063" thick high purity aluminum and finished to specification. Extruded and machined 6063-H32 aluminum heatsink. Carbon gasket for optimal thermal management.

### CODE COMPLIANCE

BAA Compliant. Non-IC rated. ETL listed for damp locations. Manufactured and tested to UL standards No. 1598/8750.

WATTAGE TO LUMENS UPDATE				
PART NUMBER	SOURCE LUMENS <sup>1</sup>	DELIVERED LUMENS <sup>2</sup>	SYSTEM WATTS	LPW
SGV8LX100L	10000	7199	86.1	84
SGV8LX140L	14000	9868	116.9	84
SGV8LX170L	17000	11748	138.2	85

SERIES	LUMENS <sup>1</sup>	CCT	BEAM	DRIVER / VOLTAGE	OPTIONS <sup>4</sup>	TRIM	FINISH	FLANGE FINISH	TRIM OPTIONS	
SGV8LX	100L	10000 Lm	27K	2700K	MD 52°	<b>BH27<sup>5</sup></b> 27" Solid Bars <b>H06</b> 6" - 12" Expandable Bars <b>H12</b> 12" - 24" Expandable Bars <b>CB24</b> 24" C-Channel Bars <b>FS</b> Fusing <b>EM1</b> Emergency Battery Pack, 120V <b>EM2</b> Emergency Battery Pack, 277V <b>CR</b> Corrosion Resistant <b>PR<sup>6</sup></b> Deep Ceiling Extension <b>TBC</b> T-bar Clips (for BH27) <b>GR</b> Goof Ring <b>EB</b> Black Housing	SG	Semi-Diffuse	<b>WF</b> White Flange <b>MF</b> Matching Flange	<b>GS</b> Gasket
	140L	14000 Lm	30K	3000K	MD 64°					
	170L	17000 Lm	35K	3500K	40K					
				<b>E_</b> Electronic Driver <b>DS10_</b> 10% 0-10V <b>DMXS_3</b> DMX Standard Configuration <b>DMXC_3</b> DMX Non-Standard Custom						

**EXAMPLE:** SGV8LX140L30KMDE1/BH27/AR8664LXWDSGW

**NOTES:**

1 Nominal Source Lumens 2 Nominal Delivered Lumens at 35K with WD Trim 3 Contact Factory 4 See Product Options Page for Details 5 Standard Bar Hangers 6 Contact Factory



PROJECT: \_\_\_\_\_  
TYPE: \_\_\_\_\_



Dimensions and values shown are nominal. Spectrum Lighting continually works to improve products and reserves the right to make changes which may alter the performance or appearance of products.

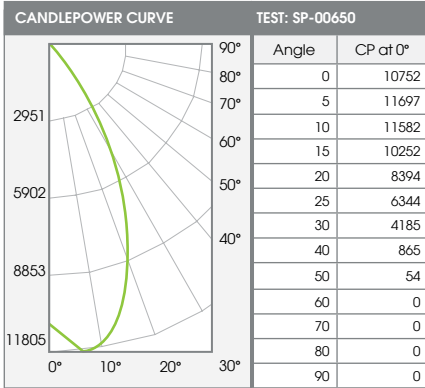
# 8" ROUND DOWNLIGHT BX SERIES / PHOTOMETRIC DATA

recessed  
fixtures



## SGV8LEDLX-170L35KMDE1-AR8664LXSG

## 170L MEDIUM - 80 CRI



ZONAL LUMENS		
0-10	1106	13%
0-20	3944	45%
0-30	6823	79%
0-40	8318	96%
0-60	8596	99%
0-80	8649	100%
0-90	8670	100%
Total Lumens	8670	100%

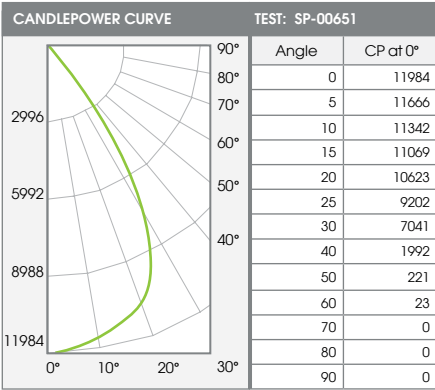
SINGLE UNIT: PERFORMANCE INITIAL FOOTCANDLES AND BEAM ANGLE DIAMETERS			
Mounting Height*	FC at Center	Diameter of Beam**	FC at Beam**
5.5'	355	5.4'	143
6.5'	254	6.4'	103
7.5'	191	7.3'	77
8.5'	149	8.3'	60
10.0'	108	9.8'	43
12.0'	75	11.7'	30
14.0'	55	13.7'	22
16.0'	42	15.6'	17

\* From aperture to horizontal surface below.  
\*\* At IESNA defined Beam Angle, to 50% Max. CP.

Delivered Lumens: 8670    CP @ 0° (Nadir): 10752    Spacing Ratio: 0.88  
Luminaire Watts: 138.2    Beam Angle: 52.1°    Output Multipliers: 100L x 0.61, 140L x 0.84  
LER: 63    CRI: 80

## SGV8LEDLX-170L35KWDE1-AR8664LXSG

## 170L WIDE - 80 CRI



ZONAL LUMENS		
0-10	1102	9%
0-20	4228	36%
0-30	8374	71%
0-40	11086	94%
0-60	11743	100%
0-80	11748	100%
0-90	11748	100%
Total Lumens	11748	100%

SINGLE UNIT: PERFORMANCE INITIAL FOOTCANDLES AND BEAM ANGLE DIAMETERS			
Mounting Height*	FC at Center	Diameter of Beam**	FC at Beam**
5.5'	396	6.9	142
6.5'	284	8.1	102
7.5'	213	9.4	77
8.5'	166	10.6	60
10.0'	120	12.5	43
12.0'	83	15.0	30
14.0'	61	17.5	22
16.0'	47	20.0	17

\* From aperture to horizontal surface below.  
\*\* At IESNA defined Beam Angle, to 50% Max. CP.

Delivered Lumens: 11748    CP @ 0° (Nadir): 11984    Spacing Ratio: 1.02  
Luminaire Watts: 138.2    Beam Angle: 64°    Output Multipliers: 100L x 0.61, 140L x 0.84  
LER: 85    CRI: 80