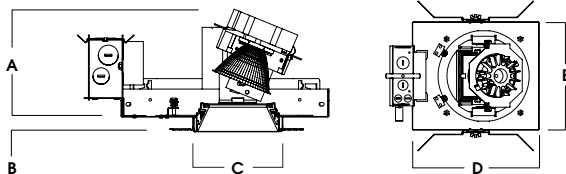
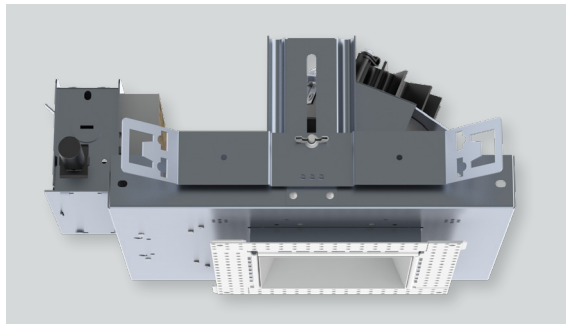
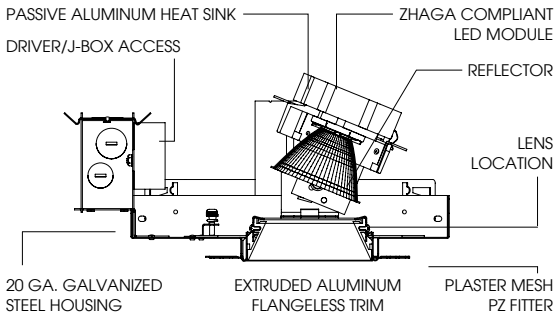




4" SQ. TRIMLESS ADJUSTABLE ACCENT

XT SERIES / 4000 LUMENS MAX



A	B	C	D	E
10L-20L: 5.8	.625	4.0	11.1	9.5
30L-40L: 6.8	15.2 mm	101.6 mm	281.9 mm	241.3 mm

SAZO4XT - TRIMLESS / NON-IC RATED

APPLICATION

Versatile 4" Square aperture recessed LED accent light with flangeless trim and a wide range of lumens and optical controls.

FEATURES

LED module tilts 35°, rotates 360°. Two-stage optical system for smooth light distribution and focus control. Quick change LED module with interchangeable optics for job site adjustment and fixture maintenance. Shallow plenum design. Tool-less driver and j-box access. Posi-lock trim retention torsion springs. Integral .625" collar with deep ceiling option for up to 2" thick ceiling (PR).

TRIM FINISH

A variety of architectural powdercoat colors are available. Plaster mesh filter included.

ELECTRONICS

LED system features Xicato LED module with proprietary phosphor technology that provides consistent, stable color with CCT control of +/- 100K over life of the light engine. Base CRI is 83 with 2-step MacAdam Ellipse binning. High CRI is 98 with 1x2-step MacAdam Ellipse binning. Variety of electronic 120V/277V and dimming drivers.

CONSTRUCTION

Housing/frame constructed of #20 ga. galvanized steel to resist corrosion. Flangeless one piece trim extruded high purity aluminum and finished to specification.

CODE COMPLIANCE

BAA Compliant. Non-IC rated. UL certified to meet US and Canadian standards. Suitable for dry or damp locations. Optional Wet location. Manufactured and tested to UL standards No. 1598/8750.

WATTAGE TO LUMENS UPDATE					
CURRENT PART NUMBER EXAMPLE	PREVIOUS PART NUMBER EXAMPLE	SOURCE LUMENS ¹	DELIVERED LUMENS ²	SYSTEM WATTS	LPW
SAZO4XT10L	SAZO4LEDX115W	1000	832	11.1	75
SAZO4XT13L	SAZO4LEDX120W	1300	1120	15.0	75
SAZO4XT20L	SAZO4LEDX133W	2000	1723	23.7	73
SAZO4XT30L	SAZO4LEDX152W	3000	2585	34.6	75
SAZO4XT40L	N/A	4000	3317	39.9	83

SERIES	LUMENS ¹	CCT	OPTICS	DRIVER / DIMMING / VOLTAGE ⁴	OPTIONS ⁶	TRIM	FINISH	TRIM OPTIONS ¹²	
SAZO4XT	83 CRI		XN ³ 10°	E Electronic Driver	1 120V	BH27 ⁷ 27" Solid Bars	SA4NXT ⁹	MW ¹⁰ Matte White	SOX ¹³ Micro Prism Solite™ Lens
	10L 1000 Lm	27K 2700K							
	13L 1300 Lm	30K 3000K	MD 40°	DS10_ 10% 0-10V	H06 6" - 12" Expandable Bars	PT Platinum Silver	PGX Prismatic Glass Lens	FGX Frosted Glass Lens	
	20L 2000 Lm	35K 3500K	WD 45°	DO10_ 1% 0-10V	H06 6" - 12" Expandable Bars	OB Oil Rubbed Bronze	FGX Frosted Glass Lens		
	30L 3000 Lm	40K 4000K	XW 50°	DS2W1 1% ELV/MLV, 120V	CB24 24" C-Channel Bars	CH Charcoal	SOW Micro Prism Solite™ Lens	GLW Clear Glass Lens	
	40L 4000 Lm			DLTE1 1% Lutron® 2-Wire Forward Phase, 120V	EM Integral Emergency Battery	AC Anodic Champagne	Wet Location		
	98 CRI			DL3E 1% Lutron® EcoSystem®, Fade	FS Fusing	AS Anodic Sapphire	Clear Glass Lens	PGW Prismatic Glass Lens	
	10L 1000 Lm	27HK 2700K		EL10_ 1%, eldoLED	EB Black Housing	AM Anodic Malachite	Wet Location		
	13L 1300 Lm	30HK 3000K		ED01_ 0.1%, eldoLED	CR Corrosion Resistant	SN Sun Gold	Wet Location	FWG Frosted Glass Lens	
	20L 2000 Lm	35HK 3500K		DALI_ DALI Control	PR ⁸ Deep Ceiling Extension	CO Copper Metallic	Wet Location		
	30L 3000 Lm	40HK 4000K		DMXS_5 DMX Standard Configuration	GR Goof Ring	GH Graphite	Wet Location		
				DMXC_5 DMX Non-Standard Custom	AMB Anti Microbial Finish	AMB Anti Microbial Finish	Wet Location		
					CC ¹¹ Custom Color	Wet Location			

EXAMPLE: SAZO4XT20L35KMDE1/H12/SA4NXTMWNSEX

NOTES:
 1 Nominal Source Lumens at Any CCT 2 Nominal Delivered Lumens 83 CRI at Any CCT with ND-MW, No Lens, Aimed at 0° 3 XN 13L Max at 83 and 98 CRI 4 Contact Factory for Additional Options 5 Contact Factory
 6 See Product Options Page for Details 7 Standard Bar Hangers 8 Contact Factory 9 "N" Indicates Flangeless Trim 10 Standard Finish 11 Contact Factory for Special Finishes 12 Contact Factory for Special Lenses/Louvers
 13 Standard Lens for MD, WD, XW 14 Standard Lens for XN and ND



PROJECT: _____
 TYPE: _____



Dimensions and values shown are nominal. Spectrum Lighting continually works to improve products and reserves the right to make changes which may alter the performance or appearance of products.