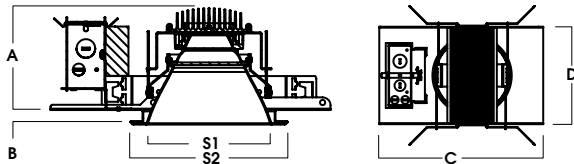
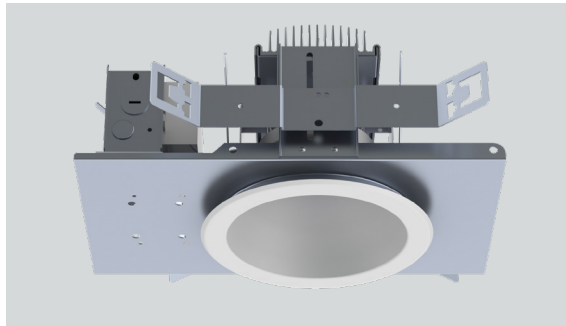
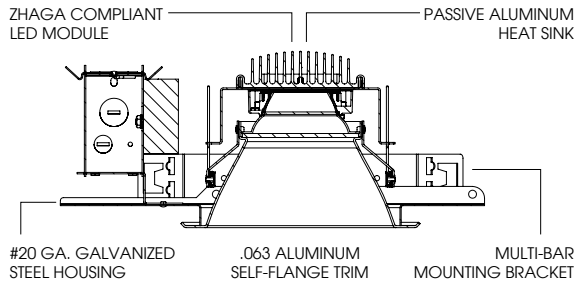


9" ROUND DOWNLIGHT FX SERIES / 4000 LUMENS MAX



A	B	C	D	S1	S2
4.5	.625	14.0	10.5	8.5	10.1
114.3 mm	15.9 mm	355.6 mm	266.7 mm	215.9 mm	256.5 mm

SGE9LEDFX - TRIM FLANGE / NON-IC RATED

APPLICATIONS

FX series 9" diameter downlights, designed for general downlighting with smooth light distribution.

FEATURES

Shallow plenum construction. Wide range of apertures. Companion retrofit and remodel fixtures available. Auto dim thermal protector for long term reliability. Zhaga international standard LED module for ease of maintenance and future replacement. Tool-less LED module, driver, and J-Box access. Multi-Bar mounting brackets, fit a variety of mounting bars. Posi-lock trim retention torsion springs. Integral 5/8" (.625) collar, works in ceiling up to 1" Deep. BH27 Standard mounting bars included. Intended for Non-IC new construction.

FINISH

Variety of powdercoat and anodized finishes available. Matte white flange is standard.

ELECTRONICS

LED system features high efficacy Philips LEDs. Standard CRI is >80. Drivers are overload and short circuit protected as well as thermally regulated. Sound rating A.

CONSTRUCTION

Housing/frame constructed of #20 ga. galvanized steel to resist corrosion. Self-flanged one piece trim spun from 0.063 3002 high purity aluminum and finished to specification. Passive machined aluminum heatsink.

CODE COMPLIANCE

ENERGY STAR® Certified when used with SG or MW trims only. BAA Compliant. Non-IC New Construction only. ETL certified to meet US and Canadian standards. Suitable for dry or damp locations. Optional Wet location listed trim. LM79/LM80 data available. Manufactured and tested to UL standards No. 1598/8750.

RATED LIFE

Rated for 60,000 Hours at 70% lumen maintenance. (L70)

LUMENS / WATTAGE DATA

PART NUMBER	SOURCE LUMENS ¹	DELIVERED LUMENS ²	SYSTEM WATTS	LPW
SGE9LEDFX10L	1000	831	9.2	90
SGE9LEDFX15L	1500	1285	13.1	98
SGE9LEDFX20L	2000	1713	17	101
SGE9LEDFX30L	3000	2519	25	101
SGE9LEDFX40L	4000	3400	34.6	98

SERIES	LUMENS ¹	CCT	DRIVER / VOLTAGE	OPTIONS	TRIM	FINISH	TRIM OPTIONS		
SGE9LEDFX	10L	1000 Lm	DX 1%, 0-10V, 120V/277V	BH27 ³ 27" Solid Bars H12 12" - 24" Expandable Bars H06 6" - 12" Expandable Bars CB24 24" C-Channel Bars EM Integral Emergency Battery EMRM ⁴ Remote Emergency Battery Pack FS Fusing CR Corrosion Resistant PR ⁵ Deep Ceiling Extension	AR9223FX	MW Matte White MB Matte Black SG Semi-Diffuse PT Platinum Silver CC ⁶ Custom Color	WF White Flange MF ⁷ Matching Flange SO ⁸ Micro Prism Solite™ Lens SOW Micro Prism Solite™ Lens Wet Location		
	15L	1500 Lm						30K	3000K
	20L	2000 Lm						35K	3500K
	30L	3000 Lm						40K	4000K
	40L	4000 Lm							

EXAMPLE: SGE9LEDFX30L30KDX/BH27/AR9223FXMWMF50

NOTES:
 1 Nominal Source Lumens at 35K 2 Nominal Delivered Lumens at 35K with MW-SO Trim 3 Standard Bar Hangers 4 Installer Responsible for EM Access 5 Contact Factory 6 Contact Factory for Special Finishes
 7 Flange Same Color as Inside of Trim 8 Standard Lens



PROJECT: _____
 TYPE: _____



Dimensions and values shown are nominal. Spectrum Lighting continually works to improve products and reserves the right to make changes which may alter the performance or appearance of products.

9" ROUND DOWNLIGHT FX SERIES / PHOTOMETRIC DATA

recessed
fixtures



SGx9LEDFX-40L35KDX-AR9223FX-MW-SO

CANDLEPOWER CURVE TEST SP-00747_M-40L	INTENSITY CANDELA 0° AZIMUTH	ZONAL LUMENS	SINGLE UNIT: PERFORMANCE DIRECT FOOTCANDLES BASED ON DOWNLIGHT ONLY				MULTIPLE UNITS: PERFORMANCE 80/50/20% REFLECTANCES INITIAL FOOTCANDLES AND WATTS PER SQUARE FOOT								
			Mounting Height AFF	FC at Center on Floor	Beam Diameter	FC at Beam Edge	Ceiling Height	Fixture Spacing	RCR 2		RCR 4				
	0°	2031	0° - 10°	195	6%	6.5'	48 fc	11.8'	10 fc	12'	8'	52	0.55	44	0.55
	5°	2029	0° - 20°	740	22%	7.5'	36 fc	13.6'	7 fc	16'	10'	26	0.27	22	0.27
	15°	1935	0° - 30°	1545	45%	8.5'	28 fc	15.4'	6 fc	20'	12'	21	0.22	13	0.16
	25°	1756	0° - 40°	2413	71%	10.0'	20 fc	18.1'	4 fc	Delivered Illuminance Rating: (DIR)		95 FC per W/Sq. Ft.		79 FC per W/Sq. Ft.	
	35°	1405	0° - 60°	3311	97%	12.0'	14 fc	21.7'	3 fc	Recessed mounting Square rooms used for multiple units: RCR 2: Length & Width = Ceiling Ht. - 2.5' x 5.00 RCR 4: Length & Width = Ceiling Ht. - 2.5' x 2.50 * Average Footcandles at 2.5' Above Floor					
	45°	842	0° - 80°	3397	100%	14.0'	10 fc	25.3'	2 fc						
	55°	266	0° - 90°	3400	100%	16.0'	8 fc	29.0'	2 fc						
	90°	1	Total	3400	100%	20.0'	5 fc	36.2'	1 fc						

Delivered Lumens: 3400
Luminaire Watts: 34.6
LER: 98.27

CP at 0° (Nadir): 2031
CRI: 80+

Beam Angle: 84°
Spacing Ratio: 1.18

Lumen Multiplier: 10L x 0.25, 15L x 0.38, 20L x 0.50, 30L x 0.74
CCT Multiplier: 27K x 0.95, 30K x 1.0, 40K x 1.08

SGx9LEDFX-40L35KDX-AR9223FX-SG-SO

CANDLEPOWER CURVE TEST SP-00747_1_M-40L	INTENSITY CANDELA 0° AZIMUTH	ZONAL LUMENS	SINGLE UNIT: PERFORMANCE DIRECT FOOTCANDLES BASED ON DOWNLIGHT ONLY				MULTIPLE UNITS: PERFORMANCE 80/50/20% REFLECTANCES INITIAL FOOTCANDLES AND WATTS PER SQUARE FOOT								
			Mounting Height AFF	FC at Center on Floor	Beam Diameter	FC at Beam Edge	Ceiling Height	Fixture Spacing	RCR 2		RCR 4				
	0°	2116	0° - 10°	204	6%	6.5'	50 fc	11.4'	11 fc	12'	8'	53	0.55	45	0.55
	5°	2113	0° - 20°	785	23%	7.5'	38 fc	13.2'	8 fc	16'	10'	26	0.27	22	0.27
	15°	2059	0° - 30°	1646	48%	8.5'	29 fc	15.0'	6 fc	20'	12'	21	0.22	13	0.16
	25°	1882	0° - 40°	2543	74%	10.0'	21 fc	17.6'	4 fc	Delivered Illuminance Rating: (DIR)		97 FC per W/Sq. Ft.		81 FC per W/Sq. Ft.	
	35°	1449	0° - 60°	3382	99%	12.0'	15 fc	21.1'	3 fc	Recessed mounting Square rooms used for multiple units: RCR 2: Length & Width = Ceiling Ht. - 2.5' x 5.00 RCR 4: Length & Width = Ceiling Ht. - 2.5' x 2.50 * Average Footcandles at 2.5' Above Floor					
	45°	814	0° - 80°	3426	100%	14.0'	11 fc	24.7'	2 fc						
	55°	230	0° - 90°	3428	100%	16.0'	8 fc	28.2'	2 fc						
	90°	1	Total	3428	100%	20.0'	5 fc	35.2'	1 fc						

Delivered Lumens: 3428
Luminaire Watts: 34.6
LER: 99.08

CP at 0° (Nadir): 2116
CRI: 80+

Beam Angle: 83°
Spacing Ratio: 1.19

Lumen Multiplier: 10L x 0.25, 15L x 0.38, 20L x 0.50, 30L x 0.74
CCT Multiplier: 27K x 0.95, 30K x 1.0, 40K x 1.08