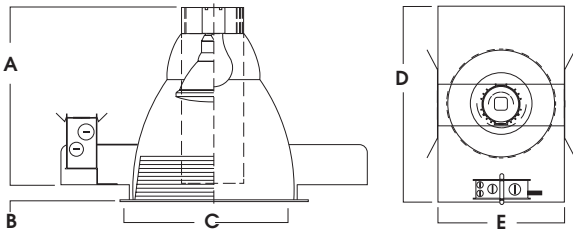
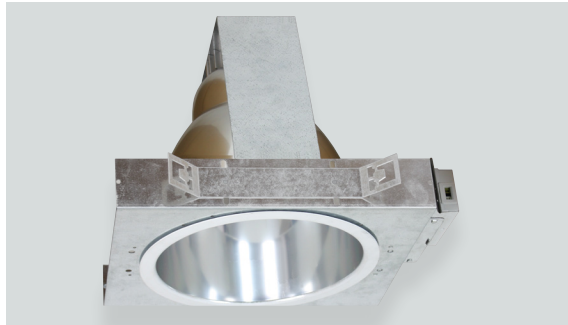
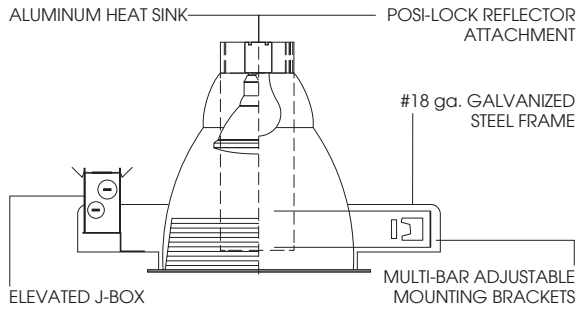




10" OPEN REFLECTOR/ BAFFLE

PAR SERIES / 300 WATT MAX INC



A	B	C	D	E
13.0 330.2 mm	0.6 15.8 mm	10.0 254.0 mm	19.0 482.6 mm	12.0 304.8 mm

SG10IN

APPLICATION

Series features a deep reflector and excellent cutoff.

FEATURES

Efficient reflector design optimized for Incandescent lamps. Posi-lock reflector attachment. Integral 5/8" (0.625) plaster ring. Maximum wattage label (MWL) for low wattage Incandescent or LED lamps. Tool-less ballast access. Multi-bar adjustable mounting brackets.

FINISH

Variety of powdercoat and anodized finishes available on reflector. Eco Black (EB) finish available on frame/housing.

ELECTRONICS

120 Volt is standard. Use option T277 for 277V supply feed.

CONSTRUCTION

Frame constructed of 18 ga. galvanized steel. Reflectors spun from .063 high purity aluminum and finished to specification.

LABELS

UL/ETL Listed for Damp locations. Manufactured and tested to UL Standard No. 1598.

SERIES	OPTIONS	TRIM / FINISH	TRIM OPTIONS	FIXTURE LAMPING*										
SG10IN- Spectrum Gold 10" Vertical	BH27 -27" Bar Hangers (Supplied) CB24 -C-Channel Bars CCEA -Chicago Ceiling Plenum CR -Corrosion Resistant T277 -Step Down Transformer 277V to 120V FS -Fuse Holder and Fuse PR -Plaster Ring (Special Depth) TBC -T-bar Clips (Fit BH27) MWL -Max Wattage Label (Specify Wattage) EB -Eco Black Housing Finish	AR1010-SG -Semi-Diffuse Low-Iridescent (Standard) CL -Clear Bright Alzak GO -Gold Alzak HZ -Matte Low Iridescent PW -Pewter Alzak UM -Umber Alzak WE -Wheat Alzak BK -Black Finish WH -White Finish PF -Polished Flange	GS -Gasket BB -Black Micro Baffle WB -White Micro Baffle	<table border="1"> <thead> <tr> <th>LAMP</th> <th>MAX. WATTAGE</th> </tr> </thead> <tbody> <tr> <td>A21</td> <td>200w</td> </tr> <tr> <td>PS25</td> <td>300w</td> </tr> <tr> <td>PAR38</td> <td>250w</td> </tr> <tr> <td>R40¹</td> <td>300w</td> </tr> </tbody> </table> <p>All lamps are medium base (standard) ¹ Specify MG for Mogul Base NOTE: This lamping is for NON-IC only.</p> <p>*For Available Decorative Architectural Trims, Consult Factory.</p>	LAMP	MAX. WATTAGE	A21	200w	PS25	300w	PAR38	250w	R40 ¹	300w
LAMP	MAX. WATTAGE													
A21	200w													
PS25	300w													
PAR38	250w													
R40 ¹	300w													
	¹ For R40 300w Only	Note: White Flange is Standard.												

EXAMPLE: SG10IN/ AR1010 SG



PROJECT: _____
 TYPE: _____



Dimensions and values shown are nominal. Spectrum Lighting continually works to improve products and reserves the right to make changes which may alter the performance or appearance of products.