



COMMERCIAL DOWNLIGHT SERIES BY SPECTRUM

14" ROUND DOWNLIGHT

NON-IC CONSTRUCTION

Spectrum's Infinium 14" recessed round downlight series features a shallow plenum housing for general illumination.

LUMENS AND WATTAGE CHART			
PART NUMBER	DELIVERED LUMENS ¹	SYSTEM WATTS	LPW
SGE14FX10L	934	6.6	142
SGE14FX15L	1451	10.5	138
SGE14FX20L	1969	14.4	137
SGE14FX30L	2954	21.9	135
SGE14FX40L	3989	30	133
SGE14FX50L	5075	38.3	132

¹ Nominal Delivered Lumens at 35K with MW SO



PROJECT: _____
 QUANTITY: _____ TYPE: _____

MATTE WHITE
MATCHING FLANGE



MATTE BLACK
MATCHING FLANGE



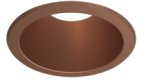
SEMI-DIFFUSE
MATCHING FLANGE



PLATINUM SILVER
MATCHING FLANGE

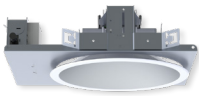


BRONZE
MATCHING FLANGE



AVAILABLE HOUSING TYPE

SGE14FX - New Construction



PRODUCT SELECTOR GUIDE

SERIES	LUMENS	CRI / CCT	DRIVER / VOLTAGE	EMERGENCY	BAR HANGERS	TRIM TYPE	FINISH	FLANGE FINISH	LENS	TRIM OPTIONS
SGE14FX						AR1423FX				
EXAMPLE										
SGE14FX	15L	35K	DX		BH27	AR1423FX	MW	MF	SO	

FIXTURE HOUSING SPECIFICATION

SERIES	LUMENS	CRI / CCT	DRIVER / VOLTAGE	EMERGENCY	BAR HANGERS
SGE14FX	10L 950 Lm	90 Minimum	DX 1%, 0-10V, 120V/277V	EM Integral Emergency Battery	BH27 27" Solid Bars Standard Bar Hangers H12 12" - 24" Expandable Bars CB24 24" C-Channel Bars
	15L 1450 Lm	27HK 2700K	DS2W1 1%, ELV/TRIAC, 120V	EMRM Remote Emergency Battery Pack Installer Responsible For EM Access	
	20L 2000 Lm	30HK 3000K			
	30L 2950Lm	35HK 3500K			
	40L 4000 Lm	40HK 4000K			
	50L 5100 Lm	80 Minimum			
	Nominal Delivered Lumens at 35K with MW SO	30K 3000K 35K 3500K 40K 4000K 50K 5000K			

- Up to 5000 delivered lumens.
- Smooth light distribution for general illumination.
- Shallow plenum construction.
- L70 at >60,000 Hours at 70% lumens maintenance.
- 5 year warranty on fixture and electronics.
- Sustainable fixture.
- Damp or wet location listed.
- Ease of maintenance.
- Posi-lock trim retention torsion springs.

TRIM SPECIFICATION

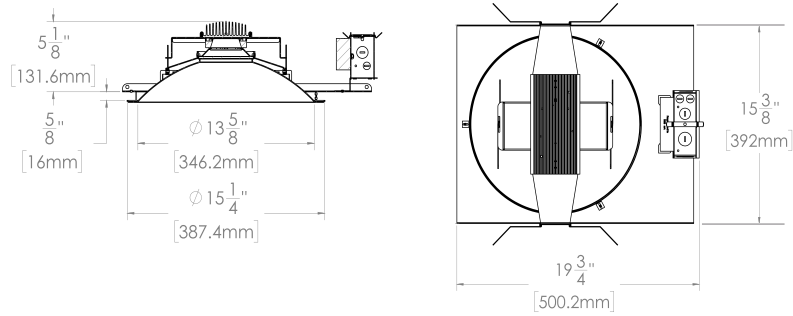
TRIM TYPE	FINISH	FLANGE FINISH	LENS	TRIM OPTIONS
AR1423FX	MW Matte White	MF Matching Flange NON MATCHING	SO Micro Prism Solite™ Lens	W Wet Location Gasket is Supplied with "W" Option
	MB Matte Black			
	SG Semi-Diffuse	WF White Flange		
	PT Platinum Silver	BF Black Flange		
CC Custom Color Consult Factory	SF Platinum Flange		GS Gasket	
	CCF Custom Color Flange Consult Factory			
	See Color Guide for Full Range of Color Options	See Color Guide for Full Range of Color Options		



HOUSING DIMENSIONS

SGE14FX - NEW CONSTRUCTION

Non-IC rated, thermally protected frame-in kit for new construction.



TRIM DATA

AR1423FX - DOWNLIGHT



FEATURES

APPLICATIONS

FX series 14" diameter downlights, designed for general downlighting with smooth light distribution.

FEATURES

Shallow plenum construction. Companion retrofit and remodel fixtures available. Auto dim thermal protector for long term reliability. Zhaga international standard LED module for ease of maintenance and future replacement. Tool-less LED module, driver, and J-Box access. Multi-Bar mounting brackets, fit a variety of mounting bars. Posi-lock trim retention torsion springs. Integral 5/8" (.625) collar, works in ceiling up to 1" Deep. Intended for Non-IC new construction.

FINISH

Variety of powdercoat and anodized finishes available. Matte white flange is standard.

ELECTRONICS

LED system features high efficacy Philips LEDs. Standard CRI is >80. Drivers are overload and short circuit protected as well as thermally regulated. Sound rating A.

CONSTRUCTION

Housing/frame constructed of #20 ga. galvanized steel to resist corrosion. Self-flanged one piece trim spun from 0.063 3002 high purity aluminum and finished to specification. Passive machined aluminum heatsink.

CODE COMPLIANCE

BAA Compliant. Non-IC New Construction only. ETL certified to meet US and Canadian standards. Suitable for dry or damp locations. Optional Wet location listed trim. LM79/LM80 data available. Manufactured and tested to UL standards No. 1598.

RATED LIFE

Rated for 60,000 Hours at 70% lumen maintenance. (L70)



PHOTOMETRIC DATA - 14" ROUND DOWNLIGHT

SGE14FX 50L 35K XX AR1423FX MW WF SO

CANDLEPOWER CURVE TEST SP-01217	INTENSITY CANDELA 0° AZIMUTH	ZONAL LUMENS	SINGLE UNIT: PERFORMANCE DIRECT FOOTCANDLES BASED ON DOWNLIGHT ONLY				MULTIPLE UNITS: PERFORMANCE 80/50/20% REFLECTANCES INITIAL FOOTCANDLES AND WATTS PER SQUARE FOOT					
			Mounting Height AFF	FC at Center on Floor	Beam Diameter	FC at Beam Edge	Ceiling Height	Fixture Spacing	RCR 2		RCR 4	
								FC *	W/Sq. Ft.	FC *	W/Sq. Ft.	
	0°	0° - 10° 209 4%	8'	34 fc	18.4'	5 fc	10'	8'	83	0.68	42	0.44
	0°	0° - 20° 793 16%	10'	22 fc	23.0'	3 fc	12'	10'	51	0.43	26	0.27
	5°	0° - 30° 1678 33%	12'	15 fc	27.7'	2 fc	16'	10'	37	0.30	29	0.30
	15°	0° - 40° 2701 53%	14'	11 fc	32.3'	2 fc	Delivered Illuminance Rating: (DIR)		121 FC per W/Sq. Ft.		97 FC per W/Sq. Ft.	
	25°	0° - 60° 4416 87%	16'	8 fc	36.9'	1 fc	Recessed mounting Square rooms used for multiple units: RCR 2: Length & Width = Ceiling Ht. - 2.5' x 5.00 RCR 4: Length & Width = Ceiling Ht. - 2.5' x 2.50 * Average Footcandles at 2.5' Above Floor					
	35°	0° - 80° 5019 99%	20'	5 fc	46.1'	1 fc						
	45°	0° - 90° 5063 100%	24'	4 fc	55.3'	1 fc						
	55°	Total 5075 100%	28'	3 fc	64.5'	0 fc						
	90°											

Delivered Lumens: 5075
Luminaire Watts: 38.4
LER: 132.16

CP at 0° (Nadir): 2160
CRI: 80+

Beam Angle: 98°
Spacing Ratio: 1.23

Lumen Multiplier: 10L x 0.18, 15L x 0.29, 20L x 0.39, 30L x 0.58, 40L x 0.78
CCT Multiplier: 27HK x 0.77, 30K x 0.96, 40K x 1.03, 50K x 1.04

See Page 1 for System Watts for all outputs

SGE14FX 50L 35K XX AR1423FX SG WF SO

CANDLEPOWER CURVE TEST SP-01217	INTENSITY CANDELA 0° AZIMUTH	ZONAL LUMENS	SINGLE UNIT: PERFORMANCE DIRECT FOOTCANDLES BASED ON DOWNLIGHT ONLY				MULTIPLE UNITS: PERFORMANCE 80/50/20% REFLECTANCES INITIAL FOOTCANDLES AND WATTS PER SQUARE FOOT					
			Mounting Height AFF	FC at Center on Floor	Beam Diameter	FC at Beam Edge	Ceiling Height	Fixture Spacing	RCR 2		RCR 4	
								FC *	W/Sq. Ft.	FC *	W/Sq. Ft.	
	0°	0° - 10° 263 6%	8'	43 fc	12.9'	10 fc	12'	8'	68	0.61	56	0.61
	0°	0° - 20° 999 23%	10'	27 fc	16.1'	7 fc	16'	10'	46	0.41	28	0.30
	5°	0° - 30° 2047 47%	12'	19 fc	19.4'	5 fc	20'	12'	27	0.25	17	0.18
	15°	0° - 40° 3092 70%	14'	14 fc	22.6'	3 fc	Delivered Illuminance Rating: (DIR)		110 FC per W/Sq. Ft.		92 FC per W/Sq. Ft.	
	25°	0° - 60° 4227 96%	16'	11 fc	25.8'	3 fc	Recessed mounting Square rooms used for multiple units: RCR 2: Length & Width = Ceiling Ht. - 2.5' x 5.00 RCR 4: Length & Width = Ceiling Ht. - 2.5' x 2.50 * Average Footcandles at 2.5' Above Floor					
	35°	0° - 80° 4374 100%	20'	7 fc	32.3'	2 fc						
	45°	0° - 90° 4375 100%	24'	5 fc	38.7'	1 fc						
	55°	Total 4387 100%	28'	3 fc	45.2'	1 fc						
	90°											

Delivered Lumens: 4387
Luminaire Watts: 38.4
LER: 114.24

CP at 0° (Nadir): 2743
CRI: 80+

Beam Angle: 79°
Spacing Ratio: 1.10

Lumen Multiplier: 10L x 0.18, 15L x 0.29, 20L x 0.39, 30L x 0.58, 40L x 0.78
CCT Multiplier: 27HK x 0.77, 30K x 0.96, 40K x 1.03, 50K x 1.04

See Page 1 for System Watts for all outputs

