



**GIANT DOME**  
**DAMP LOCATION**  
**RUSTIC SERIES**

PROJECT: \_\_\_\_\_

QUANTITY: \_\_\_\_\_ TYPE: \_\_\_\_\_



GD2619LX  
 MB - Matte Black



GD2619LX  
 MW - Matte White



GD2619LX  
 PT - Platinum Silver

SERIES	WATTS <sup>1</sup>	CCT	DRIVER / VOLTAGE	OPTIONS	MOUNTING <sup>2</sup>	FINISH <sup>4</sup>
GD2619LX	60L 6000Lm	27K 2700K 30K 3000K 35K 3500K 40K 4000K	EX Electronic Driver DS10X 10% 0-10V DO10X 1% 0-10V	FS Fusing	CP113 Large Driver Canopy HM <sub>3</sub> Hang Straight Pendant PM <sub>3</sub> Pendant / Straight Mount CD <sub>3</sub> Cord and Cable Mount CM <sub>3</sub> Cord Mount	MW <sup>5</sup> Matte White MB <sup>5</sup> Matte Black PT <sup>5</sup> Platinum Silver CC Custom Color  Reference Color Sheet Located on Product Webpage for Full List of Available Colors (83-10172)

EXAMPLE: GD2619LX60L35KEXCP113HM36MW

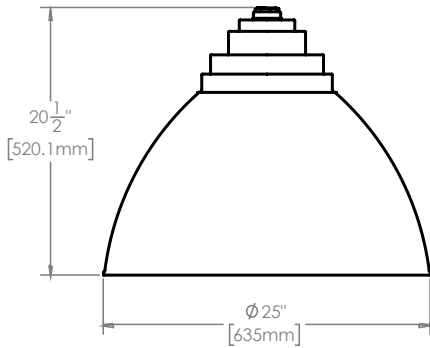
**NOTES:**  
 1 Nominal Source Lumens at 35K 2 See Mounting Page for Details on Components and Finishes 3 Specify Length in Inches: See Mounting Page for Available Lengths  
 4 Reference Color Sheet Located on Product Webpage for Full List of Available Colors 5 Standard Finishes





**GIANT DOME**  
**DAMP LOCATION**  
**RUSTIC SERIES**

**HOUSING DIMENSIONS**



**APPLICATION**

Giant Dome fixture offers wide distribution for general illumination.

**FEATURES**

Spectrum Lighting's RLM Classics are inspired by vintage lighting fixtures redesigned with modern LED light sources and materials. The wide range of options for illumination, mounting, enclosures, guards and finishes allows for creative fixture specification and design. LED module and driver are serviceable for future replacement.

**FINISH**

Multi-stage polyester powder-coat process applied on our dedicated paint lines. Variety of standard and custom finishes are available. Matte White interior finish standard. Custom Color interior finish available.

**ELECTRONICS**

LED system features high brightness white Nichia LEDs. 3-step MacAdam Ellipses binning. Standard CRI: 80+. Higher CRI, R6 and custom LED configurations are available; consult factory. Variety of electronic 120v/277v and dimming drivers. LED module is 2 circuit with 2 drivers for multicircuit option.

**CONSTRUCTION**

Fixture shades are spun in our factory from 0.063 high purity aluminum.

**CODE COMPLIANCE**

BAA Compliant. ETL/UL/CSA listed for damp locations. Manufactured and tested to UL standards No. 1598/8750.

**CEILING MOUNT**

(SEE MOUNTING PAGES FOR MORE OPTIONS & CANOPY DIMENSIONS.)

**HM / PM**

HANG STRAIGHT / PENDANT



GD2619LX SHOWN WITH CP113HM

**CD**

CORD / CABLE MOUNT



GD2619LX SHOWN WITH CP113HM

**CM**

CORD MOUNT



GD2619LX SHOWN WITH CP113HM

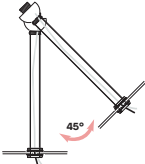
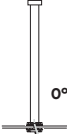
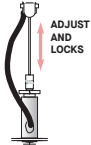



# MOUNTING & ACCESSORIES

SOME OPTIONS NOT AVAILABLE ON ALL FIXTURES, CONSULT SPECIFICATION SHEETS. SEE INDIVIDUAL SPECIFICATION SHEETS OR CONSULT FACTORY FOR ADDITIONAL INFORMATION.  
NOTE: THIS IS TYPICAL OF SPECLUME SPECIFICATION FOR PENDANT MOUNTING. INDIVIDUAL FIXTURES OR PROJECTS MAY HAVE SPECIALIZED REQUIREMENTS.



## CEILING MOUNTING

<p><b>HM*</b> HANG STRAIGHT 45° SWIVEL 1/2" STEM - 3/8" NPT</p>  <p>ORDER: HM (Length) SPECIFY LENGTH: HM3 - 3"    HM24 - 24" HM6 - 6"    HM36 - 36" HM12 - 12"    HM48 - 48" HM18 - 18"    HM72 - 72" HMLC(XX) Custom Length (Specify in Inches)</p>	<p><b>PM*</b> RIGID PENDANT MOUNT RIGID 1/2" STEM - 3/8" NPT</p>  <p>ORDER: PM (Length) SPECIFY LENGTH: PM3 - 3"    PM24 - 24" PM6 - 6"    PM36 - 36" PM12 - 12"    PM48 - 48" PM18 - 18"    PM72 - 72" PMLC(XX) Custom Length (Specify in Inches)</p>	<p><b>CD</b> CORD / CABLE MOUNT SJ CORD WITH 1/16 SS CABLE</p>  <p>ORDER: CD (Length) SPECIFY LENGTH: CD36 - 36" CD72 - 72" CD144 - 144" CDLC(XX) Custom Length (Specify in Inches)</p>	<p><b>CM</b> CORD MOUNT SJ CORD WITH STRAIN RELIEF</p>  <p>ORDER: CM (Length) SPECIFY LENGTH: CM36 - 36" CM72 - 72" CM144 - 144" CMLC(XX) Custom Length (Specify in Inches)</p>
--	---	--	--

\*MAXIMUM ONE PIECE STEM LENGTH IS 72". \*\*MAXIMUM ONE PIECE STEM LENGTH IS 36". LONGER LENGTHS ARE POSSIBLE USING MULTIPLE STEMS AND COUPLERS.  
\*\*ORDER IN 12" INCREMENTS, ODD SIZES MAY BE FIELD CUT

