

SR8SQLEDOA

APPLICATION

8" square recessed LED downlight LED features soffit/area light for optimal performance.

FEATURES

Efficient, powerful LED light source, designed to exceed 50,000 hours of life (**L70**). Multi-Bar mounting brackets. All LED modules and drivers are replaceable and up-gradeable. New and Retrofit/Remodeler options. Wet location use screws fasteners. (4)

FINISH

A variety of architectural powdercoat and anodized finishes are available. Matte White flange is standard.

ELECTRONICS

LED module features high brightness white Nichia LEDs. 3-step MacAdam Ellipses binning and CRI 84 minimum. Variety of electronic 120V/277V and dimming drivers.

CONSTRUCTION

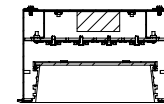
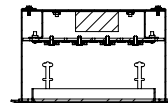
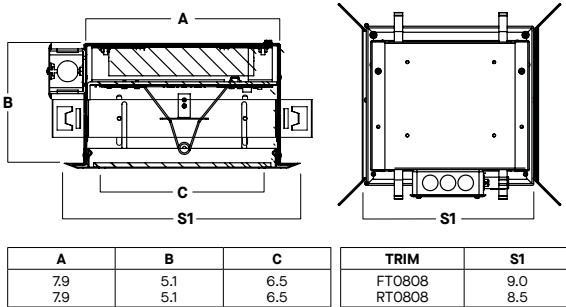
Housing constructed of .050 5052-H32 aluminum. Trim fabricated from aluminum extrusion and finished to specification.

CODE COMPLIANCE

BAA Compliant. Non-IC rated. ETL certified to meet US and Canadian standards. Suitable for dry or damp locations. Optional Wet location. Manufactured and tested to UL standards No. 1598/8750.

WATTAGE TO LUMENS UPDATE

CURRENT PART NUMBER EXAMPLE	PREVIOUS PART NUMBER EXAMPLE	SOURCE LUMENS ¹	SYSTEM WATTS
SR8SQLEDOA7L	SR8SQLEDOA11W	750	11
SR8SQLEDOA15L	SR8SQLEDOA18W	1500	18
SR8SQLEDOA22L	SR8SQLEDOA25W	2250	25
SR8SQLEDOA30L	SR8SQLEDOA34W	3000	34



SERIES	LUMENS ¹	CCT	DRIVER / VOLTAGE ²	OPTIONS ³	TRIM	FINISH	OPTIONS	
SR8SQLEDOA	7L 15L 22L 30L	750 Lm 1500 Lm 2250 Lm 3000 Lm	30K 35K 40K 50K	3000K 3500K 4000K 5000K	BH27⁴ 27" Solid Bars H12 12" - 24" Expandable Bars H06 6" - 12" Expandable Bars CB24 24" C-Channel Bars FS Fusing EM Integral Emergency Battery CR Corrosion Resistant RM Remodeler Housing	FLUSH TRIM FT0808 Flush Extruded Aluminum Door	MW⁵ Matte White MB Matte Black PT Platinum CC⁶ Custom Color	FO⁸ Matte White Acrylic Lens SO 90% Efficient Solute Lens WL⁹ Wet Location
				E_ Electronic Driver DS10_ 10%, 0-10V		1 120V 2 277V		

EXAMPLE: SR8SQLEDOA15L30KE1BH27/FT0808MW/FO

NOTES:
 1 Nominal Source Lumens 2 Contact Factory for Additional Options 3 See Product Options Page for Details 4 Standard Bar Hangers 5 Contact Factory for Special Finishes 6 Standard Finish
 7 For use with Non Matte White Trim Finish 8 Standard Lens 9 Trim Secured with 4 Screws



PROJECT: _____
 QUANTITY: _____ TYPE: _____

