



16" ALUMINUM TECH SERIES



ATXAL16GV

APPLICATION

Lumen Max GV series performance pendant for low and mid-bay applications. Aluminum reflector designed for maximum downlight. Decorative support arms and lower parts

FEATURES

Extruded Fixture Housing (EXT) features a clean and modern design. Single-stage optical system for smooth light distribution. 80 CRI minimum. Consult factory for high CRI or special applications. LED module and driver designed for ease of maintenance and replacement. Posi-lock reflector retention ring will absorb shocks and impact. Optional safety cable. Variety of optical lenses and mounting methods.

FINISH

Multi-stage polyester powder-coat process applied on our dedicated paint lines. Variety of standard and custom finishes are available. All exposed materials are chromate pretreated to resist corrosion. Standard Matte White interior finish on reflectors.

ELECTRONICS

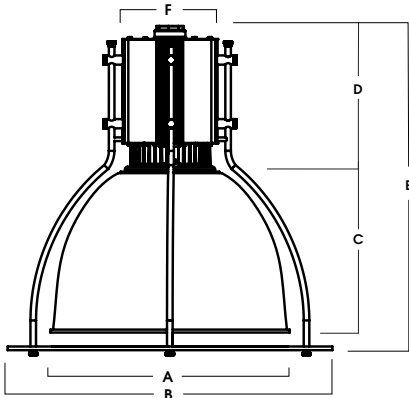
GV LED system features high brightness white Samsung LED's. 3-step MacAdam Ellipse binning. Standard CRI: 80+. Higher CRI, R9 and custom LED configurations are available; consult factory. Variety of electronic 120V/277V and dimming drivers.

CONSTRUCTION

Extruded and machined 6063-T5 aluminum housing. Graphite gasket for optimal thermal management. Die-cast aluminum heat sink. Reflector made of spun .060" aluminum. Arms are chrome plated, formed steel tubing. 1MR option is spun aluminum.

CODE COMPLIANCE

BAA compliant. ETL certified to meet US and Canadian standards. Suitable for dry or damp locations. Manufactured and tested to UL standards No. 1598/8750.



| A | B | C | D | E | F |
|----------|----------|----------|----------|----------|----------|
| 16.0 | 22.0 | 11.2 | 10.7 | 21.9 | 6.5 |
| 406.4 mm | 558.8 mm | 284.5 mm | 271.8 mm | 556.3 mm | 165.1 mm |

Fixture Weight: 18.3 lbs

| LUMENS / WATTAGE DATA | | |
|-----------------------|----------------------------|--------------|
| PART NUMBER | SOURCE LUMENS ¹ | SYSTEM WATTS |
| ATXAL16GV15L | 1500 | 10 |
| ATXAL16GV27L | 2700 | 18 |
| ATXAL16GV37L | 3700 | 26 |
| ATXAL16GV55L | 5500 | 39 |

| SERIES | LUMENS ¹ | CCT | DRIVER / DIMMING ² | OPTIONS ³ | MOUNTING ⁴ | REFLECTOR | TIER OPTIONS | FINISH ¹² |
|-----------|---------------------|------------------------|---|---|--|--|---|---|
| ATXAL16GV | 15L 1500 Lm | 27K 2700K | EX Electronic Driver, 120V/277V DS10X 10% 0-10V, DO10X 1% 0-10V, 120V/277V | FS Fusing E347 347V Driver SC1 Safety Cable | HM ⁵ Hang Straight AT ⁵ Hang Straight All Thread PM ⁵ Rigid Pendant CD ⁵ Cord / Cable Mount HC ^{5/6/7} Hook & Cord NM2 ^{5/7/8} 1/2" NPT Hub NM3 ^{5/7/8} 3/4" NPT Hub EMERGENCY BATTERY OPTIONS | AL16/MW ⁹ Matte White Inside AL16/FCI ¹⁰ Fixture Color Inside | CFG ¹¹ Center Frosted Glass Tier FGR ¹¹ Frosted Glass Ring 1MR ¹⁰ Single Metal Ring | MW ¹³ Matte White MB ¹³ Matte Black PT ¹³ Platinum Silver CC ¹³ Custom Color |
| | 27L 2700 Lm | 30K 3000K | | | | | | |
| | 37L 3700 Lm | 35K 3500K | | | | | | See Page 4 for Full Range of Color Options (83-90081) |
| | 55L 5500 Lm | 40K 4000K 50K 5000K | | | | | | |

EXAMPLE: ATXAL16GV15L27KEX/HM36/AL16/MW/FGR/MT

NOTES:
 1 Nominal Source Lumens at 35K 2 Contact Factory for Additional Options 3 See Product Options Page for Details 4 See Mounting Page for Details on Components and Finishes 5 Specify Length in Inches: See Mounting Page for Available Lengths 6 Mounting Supplied by Others 7 Not Available with EMCR 8 12" Leads Unless Specified 9 Reflector Finished Matte White with Finish Color Out 10 Same Finish as Housing 11 Tier to Match Fixture if Finish Not Specified 12 See Color Page for More Options / Consult Factory for Special Finishes 13 Standard Finishes



PROJECT: _____
 QUANTITY: _____ TYPE: _____



16" ALUMINUM

TECH SERIES / FIXTURE OPTIONS



STANDARD FINISHES

MW
MATTE WHITE



MB
MATTE BLACK



PT
PLATINUM SILVER



DECO-TIER OPTIONS

1MR
SINGLE METAL RING



CFG
CENTERED FROSTED GLASS

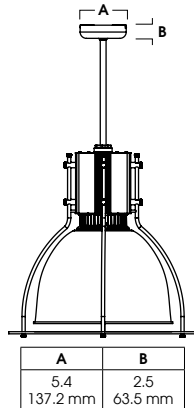


FGR
FROSTED GLASS RING

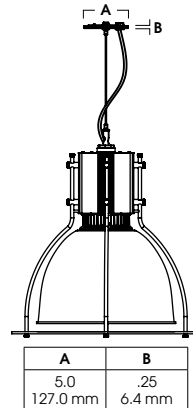


MOUNTING TYPES

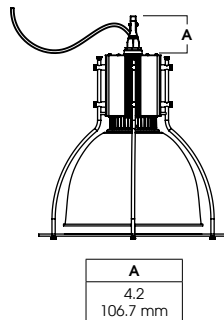
HM / AT / PM
HANG STRAIGHT / ALL THREAD / PENDANT



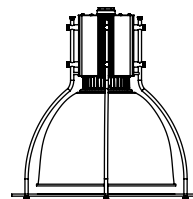
CD
CORD / CABLE MOUNT



HC
HOOK CORD



NM
NO MOUNT

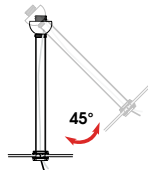

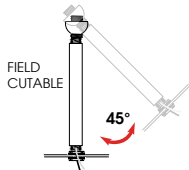
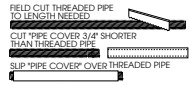

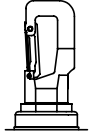


MOUNTING & ACCESSORIES

SOME OPTIONS NOT AVAILABLE ON ALL FIXTURES, CONSULT SPECIFICATION SHEETS. SEE INDIVIDUAL SPECIFICATION SHEETS OR CONSULT FACTORY FOR ADDITIONAL INFORMATION. NOTE: THIS IS TYPICAL OF LUMEN MAX SPECIFICATION FOR PENDANT MOUNTING. INDIVIDUAL FIXTURES OR PROJECTS MAY HAVE SPECIALIZED REQUIREMENTS.



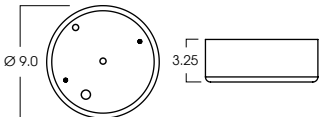
MOUNTING TYPES

| | | | | |
|--|---|--|---|---|
| <p>HM* HANG STRAIGHT 45° SWIVEL 5/8" OD STEM - 3/8" IP</p>  <p>ORDER: HM (Length) SPECIFY LENGTH: HM3 - 3" HM24 - 24" HM6 - 6" HM36 - 36" HM12 - 12" HM48 - 48" HM18 - 18" HM72 - 72" HMLC(XX) Custom Length (Specify in Inches)</p> | <p>PM* RIGID PENDANT MOUNT RIGID 5/8" OD STEM - 3/8" IP</p>  <p>ORDER: PM (Length) SPECIFY LENGTH: PM3 - 3" PM24 - 24" PM6 - 6" PM36 - 36" PM12 - 12" PM48 - 48" PM18 - 18" PM72 - 72" PMLC(XX) Custom Length (Specify in Inches)</p> | <p>AT** HANG STRAIGHT ALL THREAD 45° SWIVEL 5/8" OD STEM - 1/4" IP</p>  <p>ORDER: AT (Length) SPECIFY LENGTH: AT12 - 12" AT24 - 24" AT36 - 36"</p>  | <p>CD CORD / CABLE MOUNT SJ CORD WITH 1/16 SS CABLE</p>  <p>ORDER: CD (Length) SPECIFY LENGTH: CD36 - 36" CD72 - 72" CD144 - 144" CDLC(XX) Custom Length (Specify in Inches)</p> | <p>HC HOOK & CORD FOR INDEPENDENT MOUNTING</p>  <p>ORDER: HC</p> |
|--|---|--|---|---|

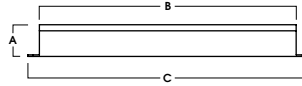

*MAXIMUM ONE PIECE STEM LENGTH IS 72". **MAXIMUM ONE PIECE STEM LENGTH IS 36". LONGER LENGTHS ARE POSSIBLE USING MULTIPLE STEMS AND COUPLERS.

EMERGENCY BATTERY OPTIONS

EMCR - LARGE DRIVER CANOPY FOR 10W EMERGENCY BATTERY



REMOTE EMERGENCY BATTERY OPTIONS

| <p>EMRM* - 7W REMOTE EMERGENCY BATTERY (50' MAX)</p>  <table border="1"> <thead> <tr> <th>A</th> <th>B</th> <th>C</th> </tr> </thead> <tbody> <tr> <td>1.3</td> <td>12.6</td> <td>13.0</td> </tr> </tbody> </table> | A | B | C | 1.3 | 12.6 | 13.0 | <p>EMEN* - 7W REMOTE EMERGENCY BATTERY WITH ENCLOSURE (50' MAX)</p>  <table border="1"> <thead> <tr> <th>A</th> <th>B</th> <th>C</th> </tr> </thead> <tbody> <tr> <td>2.0</td> <td>17.0</td> <td>6.2</td> </tr> </tbody> </table> | A | B | C | 2.0 | 17.0 | 6.2 |
|---|------|------|---|-----|------|------|--|---|---|---|-----|------|-----|
| A | B | C | | | | | | | | | | | |
| 1.3 | 12.6 | 13.0 | | | | | | | | | | | |
| A | B | C | | | | | | | | | | | |
| 2.0 | 17.0 | 6.2 | | | | | | | | | | | |

*OTHER EM BATTERY SIZES AVAILABLE, CONSULT FACTORY

ADDITIONS


FS - FUSING

Slow blow type fuse protects fixture against voltage surges. Factory installed.



LSP10 - SM - SURGE PROTECTOR

Surge protector absorbs transient electrical spikes and protects fixtures and electronics 120/277v. Re-sets after surge. Factory Installed.



SAFETY CABLE OPTIONS

SC1 - SAFETY CABLE

1/16" stainless steel safety cable for added support. Standard kit is 18" and double barrel locks are provided. Approved for California seismic requirements. Rated at 50 lbs.




COLOR OPTIONS - POWDER COAT PAINT FINISHES

NOTE: NO PRINTED IMAGE CAN EQUAL THE EXACT COLOR OF FINISH ON METAL.
SEE INDIVIDUAL SPECIFICATION SHEETS OR CONSULT FACTORY FOR ADDITIONAL INFORMATION.



STANDARD CORD / STEM / CANOPY FINISHES

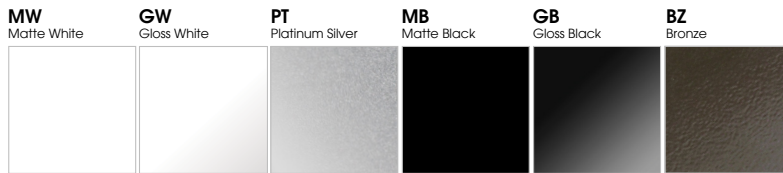
| FIXTURE COLOR | STANDARD CORD COLOR | STANDARD CANOPY / STEM COLOR |
|--|---------------------|------------------------------|
| Matte White, Textured White | Matte White | Matte White |
| Gloss White | Matte White | Gloss White |
| Matte Black, Gloss Black, Textured Black | Matte Black | Matte Black |
| All Others | Matte Black | Same Color as Fixture |
| Custom Color | Contact Factory | Contact Factory |

PAINT TIMES

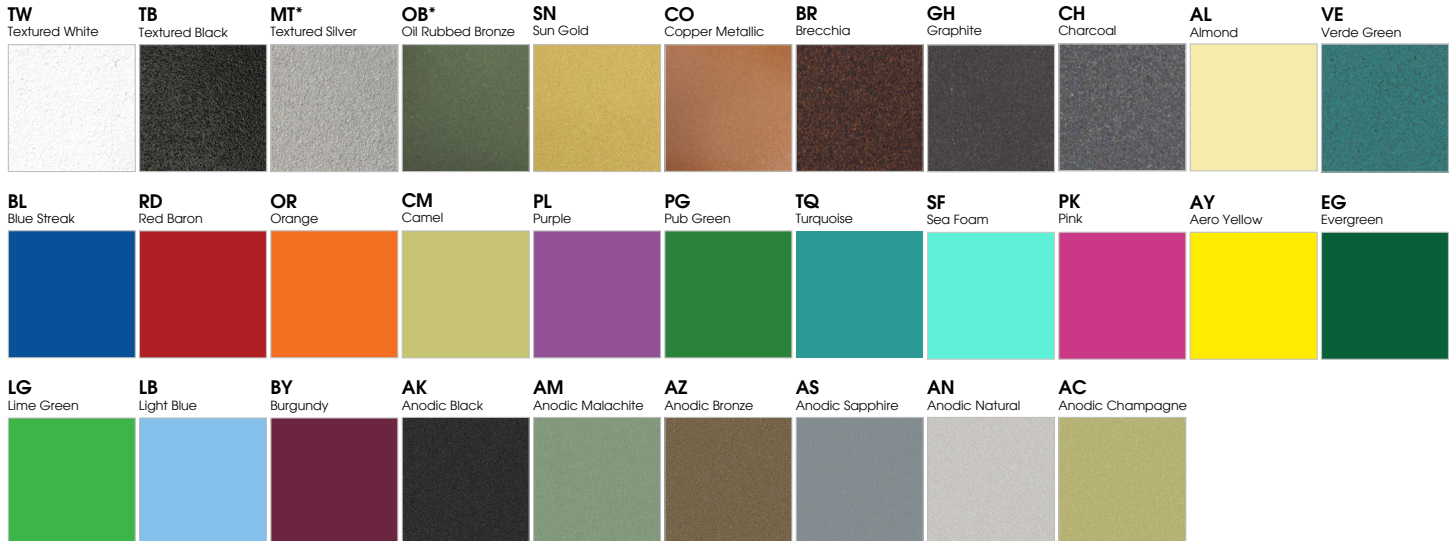
| TIER | COST | AVERAGE PAINT TIME* |
|----------------------------|-----------------|---------------------|
| Tier 1 - Standard Finishes | \$ | ⓪ |
| Tier 2 - Typical Finishes | \$\$ | ⓪⓪ |
| Custom Color | Contact Factory | Contact Factory |

*CONTACT FACTORY FOR SPECIFIC PRODUCT LEAD TIMES

TIER 1 - STANDARD FINISHES



TIER 2 - TYPICAL FINISHES



CUSTOM COLOR FINISHES

CONTACT FACTORY

CC
Custom Color



*UNAVAILABLE FOR WET LOCATION

