



ICON 12" GLASS PENDANT
DAMP LOCATION
XT SERIES

PROJECT: _____
 QUANTITY: _____ TYPE: _____



DP12XT
 BL - Blue Streak



DP12XT
 PG - Pub Green



DP12XT
 AC - Anodic Champagne



DP12XT
 SN - Sun Gold

SERIES	LUMENS ¹	CCT	DRIVER / DIMMING ²	MOUNTING ⁴	FINISH ⁸
DP12XT	10L 1000 Lm	83 CRI	EX Electronic Driver, 120V/277V DO10X 1%, 0-10V, 120V/277V DS2W1 ELV/MLV, 120V DLTE1 ³ Lutron® 2-Wire Forward Phase (MLV), 120V DL3EX ³ 1%, Lutron® EcoSystem®, 120V/277V	RDC5 ⁵ Small Driver Canopy CP13 ³ Large Driver Canopy HM ⁶ Hang Straight AT ⁶ Hang Straight All Thread PM ⁶ Rigid Pendant Mount CD ⁶ Cord / Cable Mount CM ⁶ Cord Mount EMCR ⁷ 10W Canopy Mounted EM EMRM 7W Remote EM EMEN 7W Remote with Enclosure	MW ⁸ Matte White MB ⁸ Matte Black PT ⁸ Platinum Silver CC Custom Color See Page 5 for Full Range of Color Options (83-90081)
	13L 1300 Lm				
	20L 2000 Lm				
	30L 3000 Lm				
	27K 2700K	98 CRI			
	30K 3000K				
	35K 3500K				
	40K 4000K				
	27HK 2700K				
	30HK 3000K				
35HK 3500K					
40HK 4000K					

EXAMPLE: DP12XT10L27KEX/RDC5CD36BA

NOTES:
 1 Nominal Source Lumens At Any CCT 2 Contact Factory for Additional Options 3 CP13 Required for Lutron Drivers 4 See Mounting Page for Details on Components and Finishes
 5 Required for All Drivers Excluding Lutron Drivers 6 Specify Length in Inches: See Mounting Page for Available Lengths 7 EMCR Replaces RDC5 or CP13 8 See Color Page for More Options/Consult Factory for Special Finishes 9 Standard Finishes





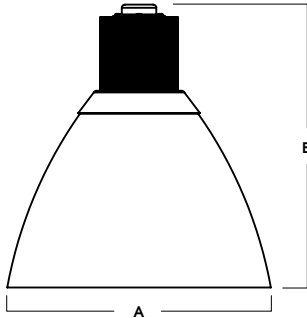
DECORATIVE

ICON 12" GLASS PENDANT DAMP LOCATION XT SERIES

LUMENS / WATTAGE DATA				
PART NUMBER	SOURCE LUMENS ¹	DELIVERED LUMENS ²	SYSTEM WATTS	LPW
DP12XT10L	1000	856	9.1	94
DP12XT13L	1300	1152	13.0	89
DP12XT20L	2000	1774	21.7	82
DP12XT30L	3000	2660	32.6	82

¹ Nominal Source Lumens At Any CCT ² Nominal Delivered Lumens 83 CRI At Any CCT

HOUSING DIMENSIONS



A	B
11.5 292.1 mm	12.3 312.4 mm

APPLICATION

The Icon Pendant series features a classic, curved molded glass shade with 68 degree beam angle for beautiful, soft-edge area lighting.

FEATURES

Speculume series fixtures offer contemporary decorative style with functional lighting performance. Separate finishes may be specified for fixture and mounting. Interchangeable LED module for ease of maintenance. Electronic LED Driver in canopy for optimal thermal management. A variety of mounting and finish options available.

FINISH

Multi-stage polyester powder-coat process applied on our dedicated paint lines. A wide variety of standard and custom finishes are available. All exposed materials are chromate pretreated to resist corrosion.

ELECTRONICS

LED system features Xicato LED module with proprietary phosphor technology that provides consistent stable color with CCT control of +/- 100K over life of the light engine. Base CRI is 83 with 1 x 2-step MacAdam Ellipse binning. High CRI is 98 with 1 x 2-step MacAdam Ellipse binning. Variety of electronic 120V/277V and dimmable drivers.

CONSTRUCTION

Glass is molded blown white cased inside and soft etched outside for uniform illumination. Passive extruded aluminum heatsink for optimal thermal management. OSD diffusion optic lens standard.

CODE COMPLIANCE

BAA compliant. ETL certified to meet US and Canadian standards. Suitable for dry or damp locations. Manufactured and tested to UL standards No. 1598/8750.

CEILING MOUNT

(SEE MOUNTING PAGES FOR MORE OPTIONS & CANOPY DIMENSIONS.)

HM / AT / PM

HANG STRAIGHT / ALL THREAD / PENDANT



DP12XT SHOWN WITH RDC5PM

CD

CORD / CABLE MOUNT



DP12XT SHOWN WITH RDC5CD

CM

CORD MOUNT



DP12XT SHOWN WITH RDC5CM

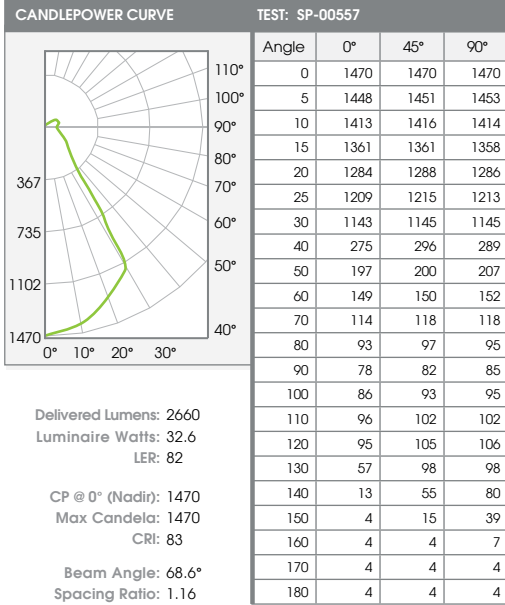




ICON 12" GLASS PENDANT DAMP LOCATION XT SERIES / PHOTOMETRIC DATA

DECORATIVE

DP12LEDXT-30LxxK-EX-xxxx-xx



ZONAL LUMENS

Angle	Lumens	%
0-10	138	5%
0-20	521	20%
0-30	182	7%
0-40	1506	57%
0-60	1849	70%
0-80	2093	79%
0-90	2189	82%
90-180	471	18%
Total Lumens	2660	100%

SINGLE UNIT: PERFORMANCE
INITIAL FOOTCANDLES AND BEAM ANGLE DIAMETERS

Mounting Height**	FC at Center	Diameter of Beam**	FC at Beam**
5.5'	49	7.5'	17
6.5'	35	8.9'	12
7.5'	26	10.2'	9
8.5'	20	11.6'	7
10'	15	13.6'	5
12'	10	16.4'	3
14'	8	19.1'	3
16'	6	21.8'	2

* From aperture to horizontal surface below.
** At IESNA defined Beam Angle, to 50% Max. CP.

Output Multipliers: 10L x 0.322, 13L x 0.433, 20L x 0.667, 30L x 1

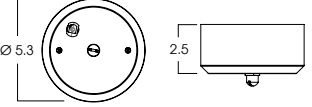
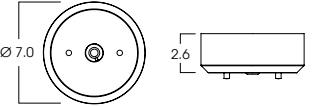
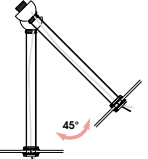
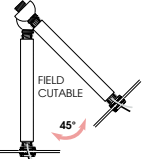
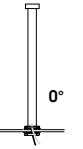
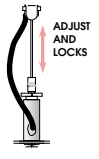



MOUNTING & ACCESSORIES

SOME OPTIONS NOT AVAILABLE ON ALL FIXTURES. CONSULT SPECIFICATION SHEETS. SEE INDIVIDUAL SPECIFICATION SHEETS OR CONSULT FACTORY FOR ADDITIONAL INFORMATION. NOTE: THIS IS TYPICAL OF SPECULUME SPECIFICATION FOR PENDANT MOUNTING. INDIVIDUAL FIXTURES OR PROJECTS MAY HAVE SPECIALIZED REQUIREMENTS.



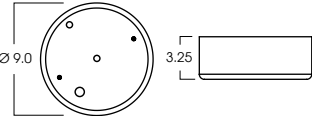
CEILING MOUNTING

<p>RDC5 - SMALL DRIVER CANOPY (STANDARD) MOUNTS TO 4" OCTO J-BOX</p>  <p>CP13 - LARGE DRIVER CANOPY</p> 	<p>HM* HANG STRAIGHT 45° SWIVEL 1/2" STEM - 3/8" NPT</p>  <p>ORDER: HM (Length) SPECIFY LENGTH: HM3 - 3" HM24 - 24" HM6 - 6" HM36 - 36" HM12 - 12" HM48 - 48" HM18 - 18" HM72 - 72" HMLC(XX) Custom Length (Specify in Inches)</p>	<p>AT** HANG STRAIGHT ALL-THREAD 45° SWIVEL 1/2" STEM - 1/4" IP</p>  <p>ORDER: AT (Length) SPECIFY LENGTH: AT12 - 12" AT24 - 24" AT36 - 36" <small>FIELD CUT: THREADED PIPE TO LENGTH WANTED. CUT PIPE COVER 3/4" SHORTER THAN THREADED PIPE. SUPPLY PIPE COVER OVER THREADED PIPE.</small></p>	<p>PM* RIGID PENDANT MOUNT RIGID 1/2" STEM - 3/8" NPT</p>  <p>ORDER: PM (Length) SPECIFY LENGTH: PM3 - 3" PM24 - 24" PM6 - 6" PM36 - 36" PM12 - 12" PM48 - 48" PM18 - 18" PM72 - 72" PMLLC(XX) Custom Length (Specify in Inches)</p>	<p>CD CORD / CABLE MOUNT SJ CORD WITH 1/16 SS CABLE</p>  <p>ORDER: CD (Length) SPECIFY LENGTH: CD36 - 36" CD72 - 72" CD144 - 144" CDLC(XX) Custom Length (Specify in Inches)</p>	<p>CM CORD MOUNT SJ CORD WITH STRAIN RELIEF</p>  <p>ORDER: CM (Length) SPECIFY LENGTH: CM36 - 36" CM72 - 72" CM144 - 144" CMLC(XX) Custom Length (Specify in Inches)</p>
--	--	--	---	--	--

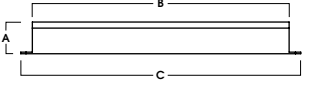
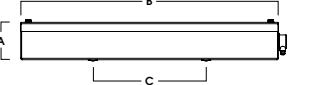
*MAXIMUM ONE PIECE STEM LENGTH IS 72". **MAXIMUM ONE PIECE STEM LENGTH IS 36". LONGER LENGTHS ARE POSSIBLE USING MULTIPLE STEMS AND COUPLERS. **ORDER IN 12" INCREMENTS. ODD SIZES MAY BE FIELD CUT

EMERGENCY BATTERY OPTIONS

EMCR - LARGE DRIVER CANOPY FOR 10W EMERGENCY BATTERY (FOR ROUND CEILING MOUNT TYPES)



REMOTE EMERGENCY BATTERY OPTIONS

<p>EMRM* - 7W REMOTE EMERGENCY BATTERY (50' MAX)</p>  <table border="1" data-bbox="576 1029 771 1071"> <thead> <tr> <th>A</th> <th>B</th> <th>C</th> </tr> </thead> <tbody> <tr> <td>1.3</td> <td>12.6</td> <td>13.0</td> </tr> </tbody> </table>	A	B	C	1.3	12.6	13.0	<p>EMEN* - 7W REMOTE EMERGENCY BATTERY WITH ENCLOSURE (50' MAX)</p>  <table border="1" data-bbox="941 1029 1136 1071"> <thead> <tr> <th>A</th> <th>B</th> <th>C</th> </tr> </thead> <tbody> <tr> <td>2.0</td> <td>17.0</td> <td>6.2</td> </tr> </tbody> </table>	A	B	C	2.0	17.0	6.2
A	B	C											
1.3	12.6	13.0											
A	B	C											
2.0	17.0	6.2											

*OTHER EM BATTERY SIZES AVAILABLE. CONSULT FACTORY



COLOR OPTIONS - POWDER COAT PAINT FINISHES

NOTE: NO PRINTED IMAGE CAN EQUAL THE EXACT COLOR OF FINISH ON METAL.
SEE INDIVIDUAL SPECIFICATION SHEETS OR CONSULT FACTORY FOR ADDITIONAL INFORMATION.



STANDARD CORD / STEM / CANOPY FINISHES

FIXTURE COLOR	STANDARD CORD COLOR	STANDARD CANOPY / STEM COLOR
Matte White, Textured White	Matte White	Matte White
Gloss White	Matte White	Gloss White
Matte Black, Gloss Black, Textured Black	Matte Black	Matte Black
All Others	Matte Black	Same Color as Fixture
Custom Color	Contact Factory	Contact Factory

PAINT TIMES

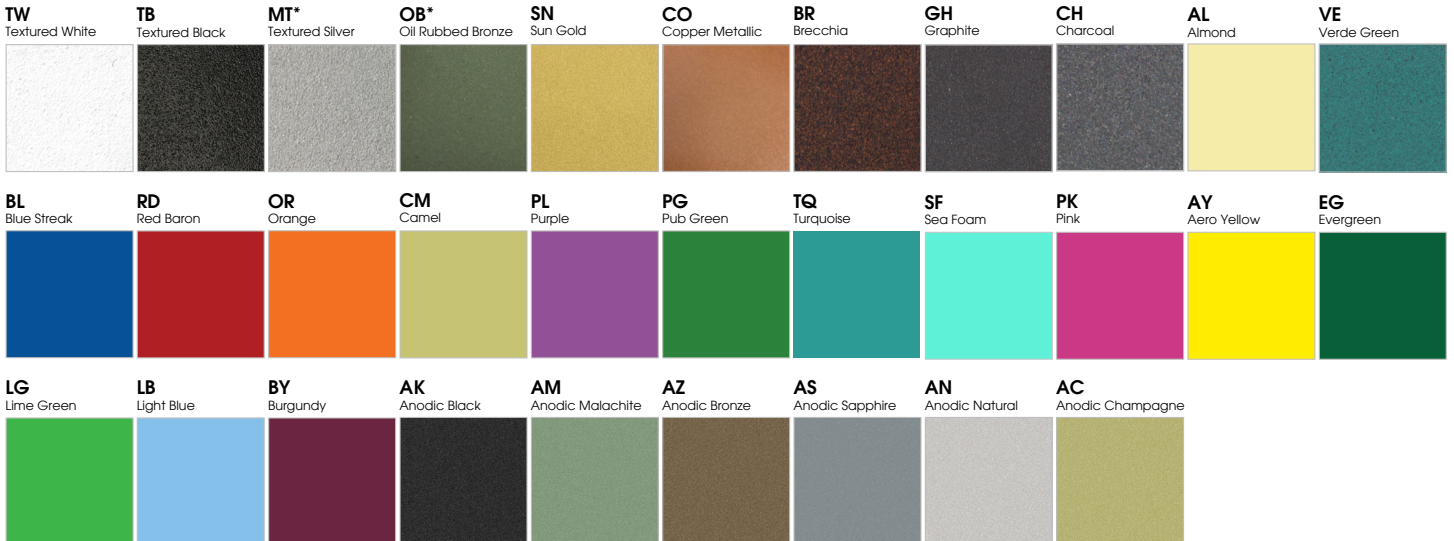
TIER	COST	AVERAGE PAINT TIME*
Tier 1 - Standard Finishes	\$	⌚
Tier 2 - Typical Finishes	\$\$	⌚⌚
Custom Color	Contact Factory	Contact Factory

*CONTACT FACTORY FOR SPECIFIC PRODUCT LEAD TIMES

TIER 1 - STANDARD FINISHES



TIER 2 - TYPICAL FINISHES



CUSTOM COLOR FINISHES

CONTACT FACTORY

CC
Custom Color



*UNAVAILABLE FOR WET LOCATION

