

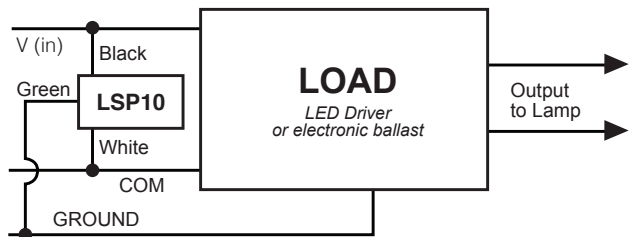
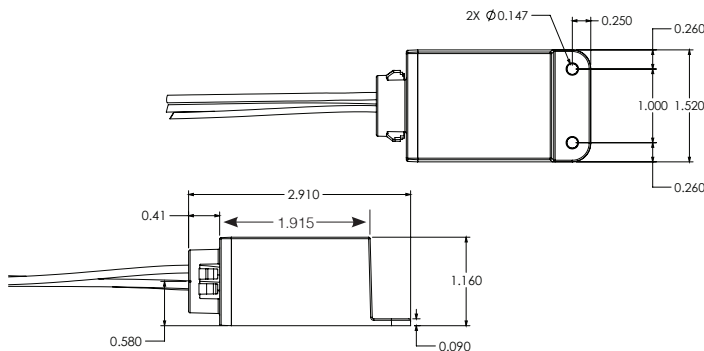
- Designed to protect electronic lighting equipment from damaging transients found in outdoor lighting applications.
- 10kV/kA Model.
- 120/277VAC.
- If specified, this device will be factory installed in fixture.

MODEL NUMBER LSP10-SM

CATALOG NUMBER	NOMINAL INPUT	SURGE PROTECTION LEVEL	MOUNTING
LSP10M	120-277 VAC	10KV,10KA,ANSI C62.41 Category C	SNAPLOCK™/FOOTED

For More Information On A 20Kv With Higher Line Voltages, Consult

- One step secure mounting to a 3/4" standard electrical Knockout
- Eliminates need for lock nuts - quick and easy tool-less installation



Dimensions shown are nominal. Spectrum Lighting is continually improving products and reserves the right to make changes that will not alter performance or appearance with or without written notice.

PROJECT:	TYPE:
CAT. NO.:	