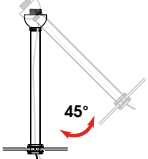
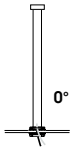
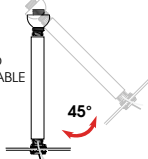
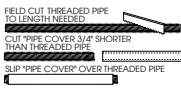

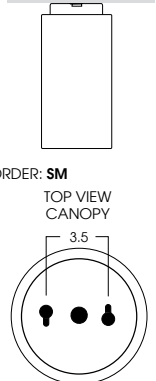
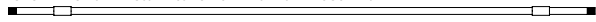


# STANDARD MOUNTING & ACCESSORIES

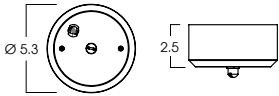
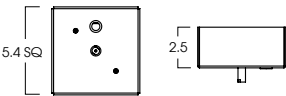
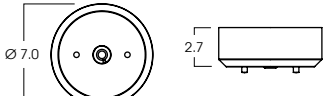
SOME OPTIONS NOT AVAILABLE ON ALL FIXTURES. CONSULT SPECIFICATION SHEETS. SEE INDIVIDUAL SPECIFICATION SHEETS OR CONSULT FACTORY FOR ADDITIONAL INFORMATION. NOTE: THIS IS TYPICAL OF CYLINDERS SPECIFICATION FOR PENDANT MOUNTING. INDIVIDUAL FIXTURES OR PROJECTS MAY HAVE SPECIALIZED REQUIREMENTS.



## MOUNTING TYPES

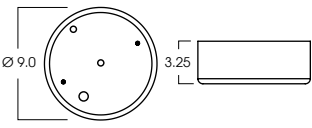
|  |   |  |   |  |
|--|---|--|---|--|
| <p><b>HM*</b><br/>HANG STRAIGHT<br/>45° SWIVEL 5/8" OD STEM - 3/8" IP</p>  <p>ORDER: <b>HM</b> (Length)<br/>SPECIFY LENGTH:<br/><b>HM3</b> - 3"    <b>HM24</b> - 24"<br/><b>HM6</b> - 6"    <b>HM36</b> - 36"<br/><b>HM12</b> - 12"    <b>HM48</b> - 48"<br/><b>HM18</b> - 18"    <b>HM72</b> - 72"<br/><b>HMLC(XX)</b><br/>Custom Length<br/>(Specify in Inches)</p> | <p><b>PM*</b><br/>RIGID PENDANT MOUNT<br/>RIGID 5/8" OD STEM - 3/8" IP</p>  <p>ORDER: <b>PM</b> (Length)<br/>SPECIFY LENGTH:<br/><b>PM3</b> - 3"    <b>PM24</b> - 24"<br/><b>PM6</b> - 6"    <b>PM36</b> - 36"<br/><b>PM12</b> - 12"    <b>PM48</b> - 48"<br/><b>PM18</b> - 18"    <b>PM72</b> - 72"<br/><b>PMLC(XX)</b><br/>Custom Length<br/>(Specify in Inches)</p> | <p><b>AT**</b><br/>HANG STRAIGHT ALL THREAD<br/>45° SWIVEL 5/8" OD STEM - 1/4" IP</p>  <p>ORDER: <b>AT</b> (Length)<br/>SPECIFY LENGTH:<br/><b>AT12</b> - 12"<br/><b>AT24</b> - 24"<br/><b>AT36</b> - 36"</p>  | <p><b>CD</b><br/>CORD / CABLE MOUNT<br/>SJ CORD WITH 1/16 SS CABLE</p>  <p>ORDER: <b>CD</b> (Length)<br/>SPECIFY LENGTH:<br/><b>CD36</b> - 36"<br/><b>CD72</b> - 72"<br/><b>CD144</b> - 144"<br/><b>CDLC(XX)</b><br/>Custom Length<br/>(Specify in Inches)</p> | <p><b>SM</b><br/>SURFACE MOUNT<br/>WIRING COMPARTMENT / TOP HAT</p>  <p>ORDER: <b>SM</b><br/>TOP VIEW CANOPY<br/>3.5</p> <p>KEY SLOTS MOUNT CANOPY TO WALL JUNCTION BOX. JUNCTION BOX IS COVERED.</p> |
| <p>*MAXIMUM ONE PIECE STEM LENGTH IS 72". **MAXIMUM ONE PIECE STEM LENGTH IS 36". LONGER LENGTHS ARE POSSIBLE USING MULTIPLE STEMS AND COUPLERS.</p>    |   |  |   |  |

## DRIVER CANOPY OPTIONS

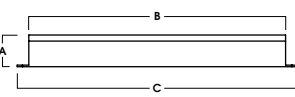
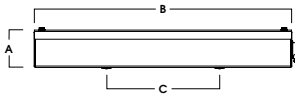
|   |  |  |
|---|--|--|
| <p><b>RDC5</b> - SMALL DRIVER CANOPY (STANDARD)</p>  | <p><b>SDC5</b> - SMALL DRIVER CANOPY</p>  | <p><b>CP13</b> - LARGE DRIVER CANOPY</p>  |
|---|--|--|

## EMERGENCY BATTERY OPTIONS

**EMCR** - LARGE DRIVER CANOPY FOR 10W EMERGENCY BATTERY



## REMOTE EMERGENCY BATTERY OPTIONS

| <p><b>EMRM*</b> - 7W REMOTE EMERGENCY BATTERY (50" MAX)</p>  <table border="1" data-bbox="576 1501 771 1543"> <thead> <tr> <th>A</th> <th>B</th> <th>C</th> </tr> </thead> <tbody> <tr> <td>1.3</td> <td>12.6</td> <td>13.0</td> </tr> </tbody> </table> | A    | B    | C | 1.3 | 12.6 | 13.0 | <p><b>EMEN*</b> - 7W REMOTE EMERGENCY BATTERY WITH ENCLOSURE (50" MAX)</p>  <table border="1" data-bbox="933 1501 1128 1543"> <thead> <tr> <th>A</th> <th>B</th> <th>C</th> </tr> </thead> <tbody> <tr> <td>2.0</td> <td>17.0</td> <td>6.2</td> </tr> </tbody> </table> | A | B | C | 2.0 | 17.0 | 6.2 |
|---|------|------|---|-----|------|------|---|---|---|---|-----|------|-----|
| A   | B    | C    |   |     |      |      |   |   |   |   |     |      |     |
| 1.3   | 12.6 | 13.0 |   |     |      |      |   |   |   |   |     |      |     |
| A   | B    | C    |   |     |      |      |   |   |   |   |     |      |     |
| 2.0   | 17.0 | 6.2  |   |     |      |      |   |   |   |   |     |      |     |

\*OTHER EM BATTERY SIZES AVAILABLE. CONSULT FACTORY