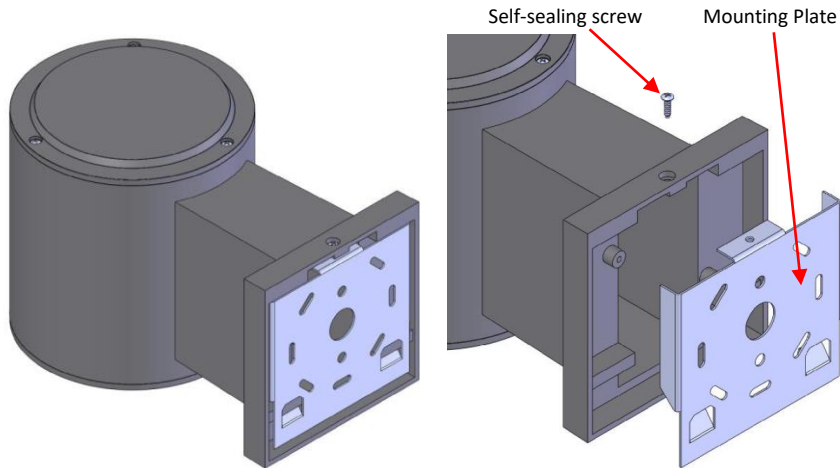
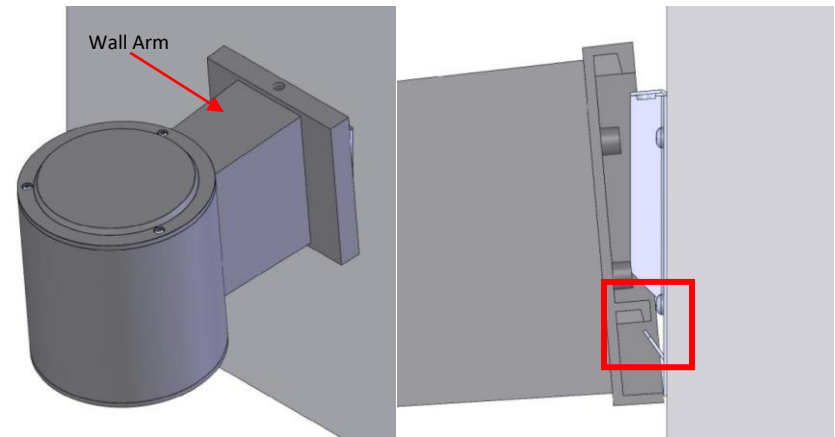


Gamma Cylinder Series
Wall Mount Installation Instructions

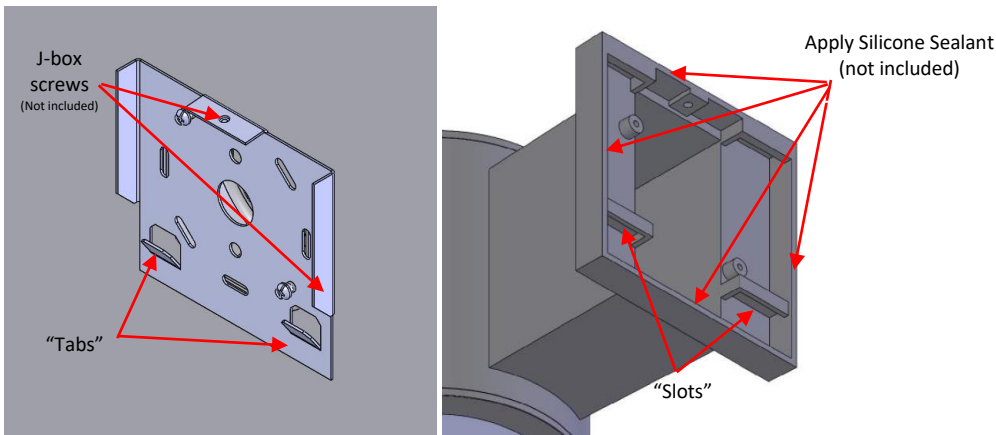
WARNING: Be certain all power is OFF! Wire according to local and national codes. This product should be installed by a qualified electrician.



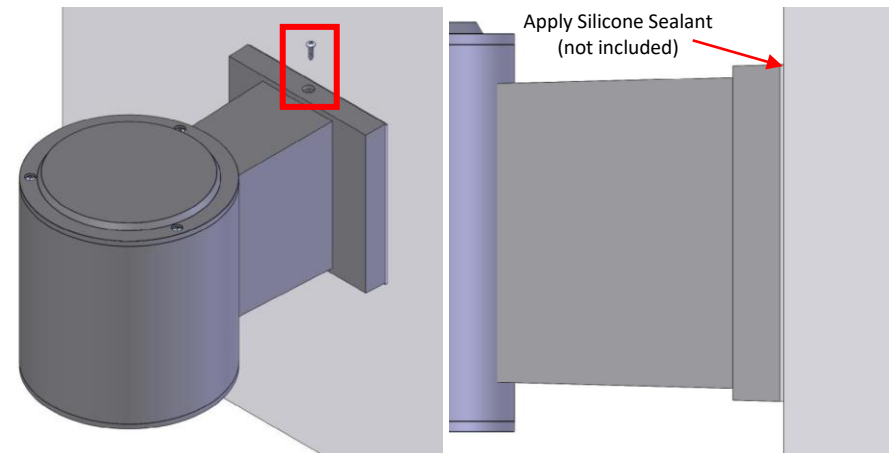
1. Remove Mounting Plate by taking out self-sealing screw.
 - a. Put the screw and fixture aside for now.



5. Take fixture and Align Wall Arm with Mounting Plate.
 - a. "Tabs" on Mounting Plate align with "Slots" inside Wall Arm.
 - b. Engage "Tabs" first, then move inwards and downwards.



2. Attach Mounting Plate to Octagonal J-box (not included) in wall, as shown above.
 - a. Note the "Tabs" (left) and "Slots" (right) for step 4.
3. Make any necessary Power connections with fixture in accordance with Local and National Codes.
4. For **Wet Location Installation**, apply Silicone Sealant (not included) where the Wall Arm will meet the Mounting Surface on all surfaces.



6. Insert Self-Sealing screw and tighten until Wall Arm is flush to wall.
7. For **Wet Location Installation**, apply Silicone Sealant (not included) where the Wall Arm meets the Mounting Surface on all sides.