



LUMENSTICK

3" SQUARE DECORATIVE SERIES



DC0312SQ, DC0318SQ, DC0324SQ - CEILING MOUNT

APPLICATION

3" square x 12", 18" or 24" high decorative cylinder offers a minimalist design for accent and general illumination.

FEATURES

Decorative Cylinder series fixtures offer contemporary style with functional luminaire performance. Passive integral heat sink, LED module and driver are replaceable and upgradable. A variety of mounting options are available. Standard beam is soft distribution (OSD) with wide angle domed optic. Optional closed bottom (CSD) domed optic. Available in three lengths and a variety of mounting options.

FINISH

Multi-stage polyester powder-coat process applied on our dedicated paint lines. See mounting and color pages for standard finishes. Specify both interior and exterior finish.

ELECTRONICS

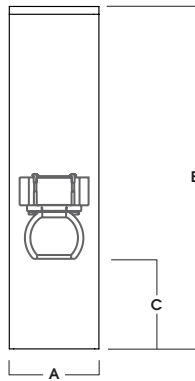
LED system features Xicato LED module with proprietary phosphor technology that provides consistent stable color with CCT control of +/- 100K over life of the light engine. Base CRI is 83 with 2-step MacAdam Ellipse binning. High CRI is 98 with 1 x 2-step MacAdam Ellipse binning. Variety of electronic 120V/277V and dimming drivers.

CONSTRUCTION

Machined aluminum .125 thick fixture housing. Stainless steel hardware with galvanized brackets to resist corrosion.

CODE COMPLIANCE

BAA compliant. ETL certified to meet US and Canadian standards. Suitable for dry or damp locations. Manufactured and tested to UL standards No. 1598/8750.



Dimensioned with DC0312SQXT & OSD

SERIES	A	B	C
DC0312SQXT	3.0	12.3	3.2
DC0318SQXT	3.0	18.3	3.1
DC0324SQXT	3.0	24.3	3.1

Fixture Weight: 4.7 lbs

LUMENS / WATTAGE DATA				
PART NUMBER	SOURCE LUMENS ¹	DELIVERED LUMENS ²	SYSTEM WATTS ³	LPW
DC0312SQXT7L	700	245	6	40
DC0312SQXT10L	1000	328	9	36
DC0312SQXT13L	1300	442	13	34

*Matte White Interior Finish and OSD Optic

SERIES	LUMENS ¹	CCT	OPTICS	DRIVER / DIMMING ⁵	MOUNTING ⁷	CORD OPTIONS ¹⁰	INTERIOR ¹¹	FINISH ¹¹
DC0312SQXT 3" x 12" Cylinder	7L	700 Lm	83 CRI	EX Electronic Driver, 120V/277V	HM ⁸ Hang Straight PM ⁸ Rigid Pendant Mount	STANDARD CORDS	MWI ¹² Matte White CCI Custom Color	MW ¹² Matte White MB ¹² Matte Black
	10L	1000 Lm	27K 2700K 30K 3000K					
DC0318SQXT 3" x 18" Cylinder	13L	1300 Lm	35K 3500K 40K 4000K	CSD Closed Sphere Diffuser	DS10X ⁶ 10%, 0-10V, 120V/277V DS2W1 ELV/MLV, 120V DO10X ⁶ 1%, 0-10V, 120V/277V	DECORATIVE CORDS See Page 6 for Decorative Braided Color Cords	See Page 6 for Full Range of Color Options (83-90093)	See Page 6 for Full Range of Color Options (83-90093)
			DC0324SQXT 3" x 24" Cylinder	98 CRI 27HK 2700K 30HK 3000K 35HK 3500K 40HK 4000K				

EXAMPLE: DC0312SQXT10L35KOSDEX/PM36/MBIMW

NOTES:

1 Nominal Source Lumen at Any CCT 2 Nominal Delivered Lumens at 83 CRI at Any CCT with OSD-MWI 3 At 83 CRI 4 Standard Optic 5 Contact Factory for Additional Options 6 Decorative Cord Not Available. Contact Factory for Additional Information 7 See Mounting Page for Details on Components and Finishes 8 Specify Length in Inches; See Mounting Page for Available Lengths 9 EMxxx Option Requires 2 Cords 10 Available with CM/CD Mounting Only, Decorative Cord 120" Max Length 11 See Color Page for More Options/Consult Factory for Special Finishes 12 Standard Finishes



PROJECT: _____
TYPE: _____



Dimensions and values shown are nominal. Spectrum Lighting continually works to improve products and reserves the right to make changes which may alter the performance or appearance of products.

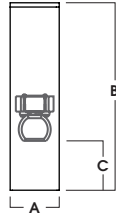
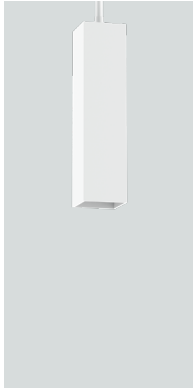
LUMENSTICK

3" SQUARE DECORATIVE SERIES / FIXTURE OPTIONS



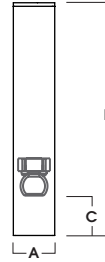
SERIES SIZES

DC0312SQXT



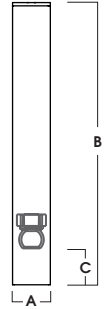
A	B	C
3.0	12.3	3.2
76.2 mm	312.4 mm	81.3 mm

DC0318SQXT



A	B	C
3.0	18.3	3.1
76.2 mm	464.8 mm	78.7 mm

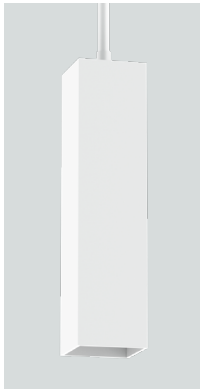
DC0324SQXT



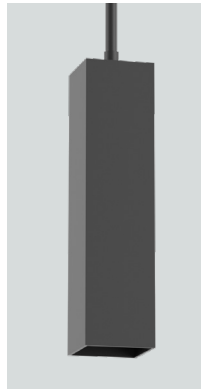
A	B	C
3.0	24.3	3.1
76.2 mm	617.2 mm	78.7 mm

STANDARD FINISHES

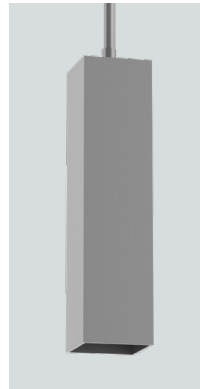
MW
MATTE WHITE



MB
MATTE BLACK

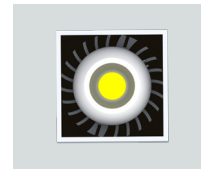


PT
PLATINUM SILVER

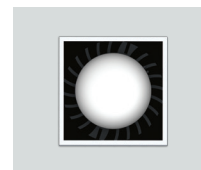


OPTICS

OSD
OPEN SPHERE DIFFUSER

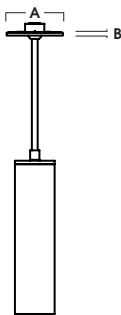
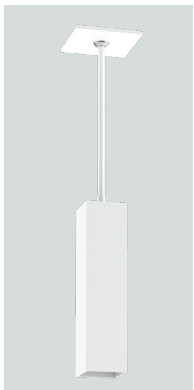


CSD
CLOSED SPHERE DIFFUSER



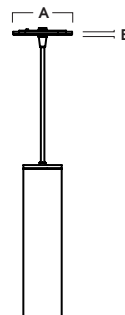
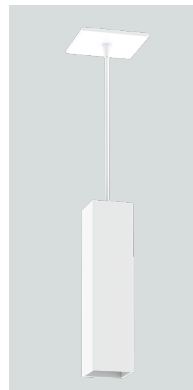
MOUNTING TYPES

HM / PM / AT
HANG STRAIGHT / PENDANT / ALL THREAD



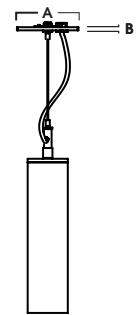
A	B
5.0	.25
127.0 mm	6.4 mm

CM
CORD MOUNT



A	B
5.0	.25
127.0 mm	6.4 mm

CD
CORD / CABLE MOUNT



A	B
5.0	.25
127.0 mm	6.4 mm

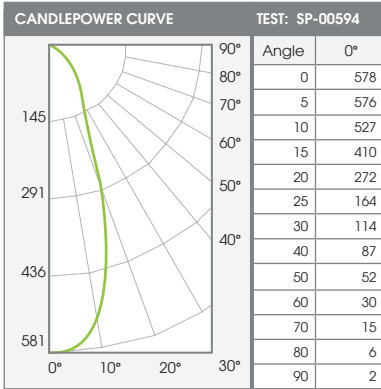
LUMENSTICK

3" SQUARE DECORATIVE SERIES / PHOTOMETRIC DATA



DC03xxSQXT-13LxxK-OSDEX-MWI-MW

13L / OSD - 83 CRI



ZONAL LUMENS		
0-10	53	12%
0-20	162	37%
0-30	244	55%
0-40	311	70%
0-60	404	91%
0-80	437	99%
0-90	441	100%
Total Lumens	442	100%

SINGLE UNIT: PERFORMANCE INITIAL FOOTCANDLES AND BEAM ANGLE DIAMETERS			
Mounting Height*	FC at Center	Diameter of Beam**	FC at Beam**
5.5'	19	3.8'	9
6.5'	14	4.5'	6
7.5'	10	5.1'	5
8.5'	8	5.8'	4
10.0'	6	6.8'	3
12.0'	4	8.2'	2
14.0'	3	9.6'	1
16.0'	2	11.0'	1

* From aperture to horizontal surface below.
** At IESNA defined Beam Angle, to 50% Max. CP.

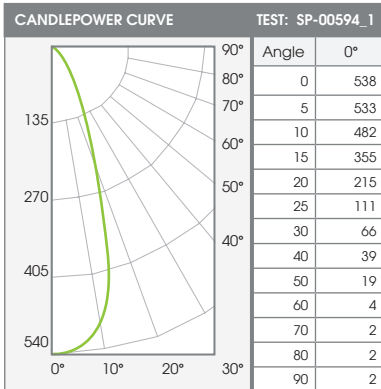
Delivered Lumens: 442
Luminaire Watts: 13
LER: 34

CP @ 0° (Nadir): 578
Beam Angle: 37.8°
CRI: 83

Spacing Ratio: 0.64
Output Multipliers: 7L x 0.55, 10L x 0.74

DC03xxSQXT-13LxxK-OSDEX-MBI-MB

13L / OSD - 83 CRI



ZONAL LUMENS		
0-10	49	17%
0-20	143	51%
0-30	198	71%
0-40	234	84%
0-60	271	97%
0-80	277	99%
0-90	279	100%
Total Lumens	280	100%

SINGLE UNIT: PERFORMANCE INITIAL FOOTCANDLES AND BEAM ANGLE DIAMETERS			
Mounting Height*	FC at Center	Diameter of Beam**	FC at Beam**
5.5'	18	3.5'	8
6.5'	13	4.1'	6
7.5'	10	4.8'	4
8.5'	7	5.4'	3
10.0'	5	6.4'	2
12.0'	4	7.7'	2
14.0'	3	8.9'	1
16.0'	2	10.2'	1

* From aperture to horizontal surface below.
** At IESNA defined Beam Angle, to 50% Max. CP.

Delivered Lumens: 280
Luminaire Watts: 13
LER: 22

CP @ 0° (Nadir): 538
Beam Angle: 35.4°
CRI: 83



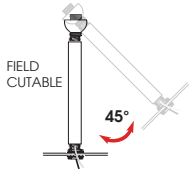
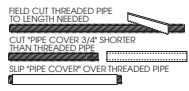


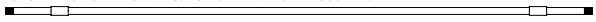
Spacing Ratio: 0.62
Output Multipliers: 7L x 0.55, 10L x 0.74

STANDARD MOUNTING & ACCESSORIES

SOME OPTIONS NOT AVAILABLE ON ALL FIXTURES. CONSULT SPECIFICATION SHEETS. SEE INDIVIDUAL SPECIFICATION SHEETS OR CONSULT FACTORY FOR ADDITIONAL INFORMATION. NOTE: THIS IS TYPICAL OF CYLINDERS SPECIFICATION FOR PENDANT MOUNTING. INDIVIDUAL FIXTURES OR PROJECTS MAY HAVE SPECIALIZED REQUIREMENTS.



MOUNTING TYPES

<p>HM* HANG STRAIGHT 45° SWIVEL 5/8" OD STEM - 3/8" IP</p>  <p>ORDER: HM (Length) SPECIFY LENGTH: HM3 - 3" HM24 - 24" HM6 - 6" HM36 - 36" HM12 - 12" HM48 - 48" HM18 - 18" HM72 - 72" HMLC(XX) Custom Length (Specify in Inches)</p>	<p>PM* RIGID PENDANT MOUNT RIGID 5/8" OD STEM - 3/8" IP</p>  <p>ORDER: PM (Length) SPECIFY LENGTH: PM3 - 3" PM24 - 24" PM6 - 6" PM36 - 36" PM12 - 12" PM48 - 48" PM18 - 18" PM72 - 72" PMLC(XX) Custom Length (Specify in Inches)</p>	<p>AT** HANG STRAIGHT ALL THREAD 45° SWIVEL 5/8" OD STEM - 1/4" IP</p>  <p>ORDER: AT (Length) SPECIFY LENGTH: AT12 - 12" AT24 - 24" AT36 - 36"</p>  <p>FIELD CUT THREADED PIPE TO LENGTH NEEDED CUT PIPE COVER 3/4" SHORTER THAN THREADED PIPE SLIP PIPE COVER OVER THREADED PIPE</p>	<p>CM CORD MOUNT SJ CORD WITH STRAIN RELIEF</p>  <p>ORDER: CM (Length) SPECIFY LENGTH: CM36 - 36" CM72 - 72" CM144 - 144" CMLC(XX) Custom Length (Specify in Inches)</p>	<p>CD CORD / CABLE MOUNT SJ CORD WITH 1/16 SS CABLE</p>  <p>ORDER: CD (Length) SPECIFY LENGTH: CD36 - 36" CD72 - 72" CD144 - 144" CDLC(XX) Custom Length (Specify in Inches)</p>
<p>*MAXIMUM ONE PIECE STEM LENGTH IS 72". **MAXIMUM ONE PIECE STEM LENGTH IS 36". LONGER LENGTHS ARE POSSIBLE USING MULTIPLE STEMS AND COUPLERS.</p> 				

COLOR OPTIONS - POWDER COAT PAINT FINISHES



STANDARD CORD / STEM / CANOPY FINISHES

FIXTURE COLOR	STANDARD CORD COLOR	STANDARD CANOPY / STEM COLOR
Matte White, Textured White	Matte White	Matte White
Gloss White	Matte White	Gloss White
Matte Black, Gloss Black, Textured Black	Matte Black	Matte Black
All Others	Matte Black	Same Color as Fixture
Custom Color	Contact Factory	Contact Factory

PAINT TIMES

TIER	COST	AVERAGE PAINT TIME*
Tier 1 - Standard Finishes	\$	⓪
Tier 2 - Typical Finishes	\$\$	⓪⓪
Tier 3 - Special Metal Finishes	\$\$\$	⓪⓪⓪
Tier 4 - Tri-Coat Finishes	\$\$\$	⓪⓪⓪⓪
Custom Color	Contact Factory	Contact Factory

*CONTACT FACTORY FOR SPECIFIC PRODUCT LEAD TIMES

CORD OPTIONS

STANDARD VINYL CORDS

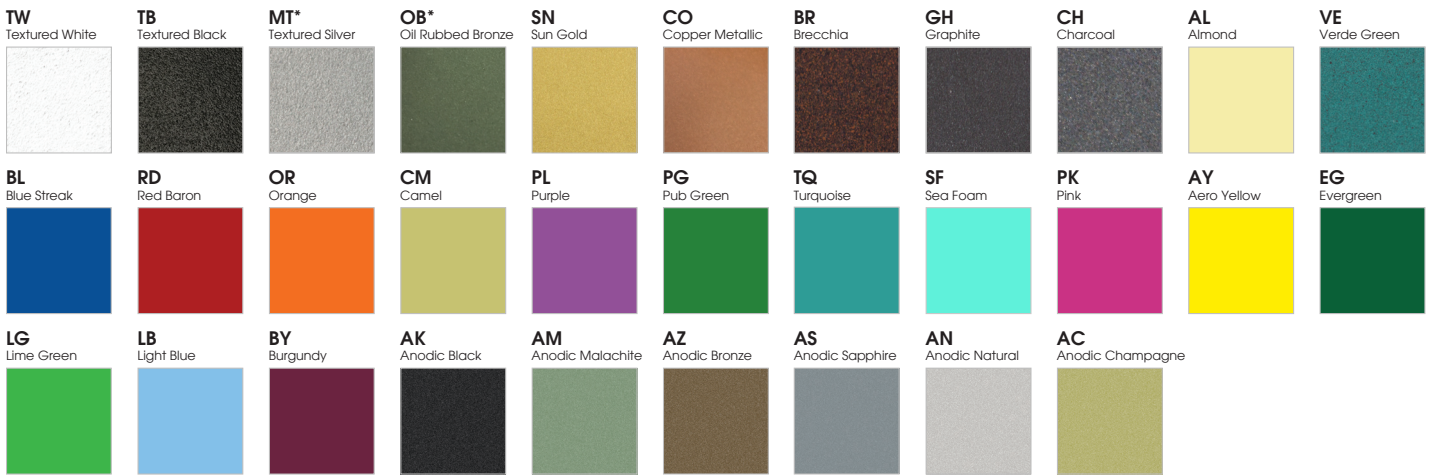
DECORATIVE BRAIDED COLOR CORDS



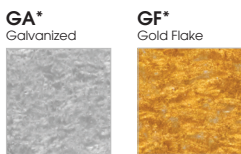
TIER 1 - STANDARD FINISHES



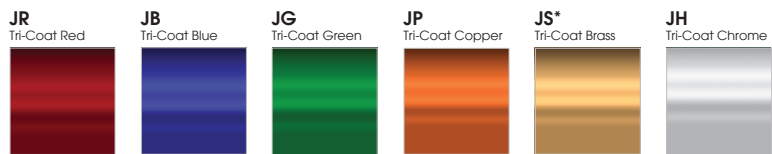
TIER 2 - TYPICAL FINISHES



TIER 3 - SPECIAL METAL FINISHES



TIER 4 - TRI-COAT FINISHES



CUSTOM COLOR FINISHES

CONTACT FACTORY

CC Custom Color



*UNAVAILABLE FOR WET LOCATION

** UNAVAILABLE FOR INTERIOR