



**ICON 12" ALUMINUM PENDANT**  
**DAMP LOCATION**  
 XT SERIES

PROJECT: \_\_\_\_\_  
 QUANTITY: \_\_\_\_\_ TYPE: \_\_\_\_\_



AP12XT  
 CO - Copper Metallic  
 ANI - Anodic Natural Interior



AP12XT  
 VE - Verde Green  
 BR - Brecchia Interior



AP12XT  
 AL - Almond  
 MWI - Matte White Interior



AP12XT  
 MW - Matte White  
 MWI - Matte White Interior

SERIES	LUMENS <sup>1</sup>	CCT	DRIVER / DIMMING <sup>2</sup>	MOUNTING <sup>4</sup>	INTERIOR <sup>8</sup>	FINISH <sup>8</sup>			
AP12XT	10L	1000 Lm	<b>EX</b> Electronic Driver, 120V/277V <b>DO10X</b> 1%, 0-10V, 120V/277V <b>DS2W1</b> ELV/MLV, 120V <b>DLTE1<sup>3</sup></b> Lutron® 2-Wire Forward Phase (MLV), 120V <b>DL3EX<sup>3</sup></b> 1%, Lutron® EcoSystem®, 120V/277V	<b>RDC5<sup>5</sup></b> Small Driver Canopy <b>CP13<sup>3</sup></b> Large Driver Canopy <b>HM<sup>6</sup></b> Hang Straight <b>AT<sup>6</sup></b> Hang Straight All Thread <b>PM<sup>6</sup></b> Rigid Pendant Mount <b>CD<sup>6</sup></b> Cord / Cable Mount <b>CM<sup>6</sup></b> Cord Mount <b>EMCR<sup>7</sup></b> 10W Canopy Mounted EM <b>EMRM</b> 7W Remote EM <b>EMEN</b> 7W Remote with Enclosure	<b>MW<sup>9</sup></b> Matte White <b>CCI</b> Custom Color <b>FCI</b> Fixture Color Interior	<b>MW<sup>9</sup></b> Matte White <b>MB<sup>9</sup></b> Matte Black <b>PT<sup>9</sup></b> Platinum Silver <b>CC</b> Custom Color			
	13L	1300 Lm					83 CRI	See Page 5 for Full Range of Color Options (83-90081)	See Page 5 for Full Range of Color Options (83-90081)
	20L	2000 Lm					27K 2700K		
	30L	3000 Lm					30K 3000K		
							35K 3500K		
							40K 4000K		
							98 CRI		
							27HK 2700K		
							30HK 3000K		
							35HK 3500K		
		40HK 4000K							

EXAMPLE: AP12XT10L27KEX/RDC5CD36GFITB

**NOTES:**  
 1 Nominal Source Lumens at Any CCT 2 Contact Factory for Additional Options 3 CP13 Required for Lutron Drivers 4 See Mounting Page for Details on Components and Finishes  
 5 Required for All Drivers Excluding Lutron Drivers 6 Specify Length in Inches. See Mounting Page for Available Lengths 7 EMCR Replaces RDC5 or CP13 8 See Color Page for More Options/Consult Factory for Special Finishes 9 Standard Finishes





# ICON 12" ALUMINUM PENDANT

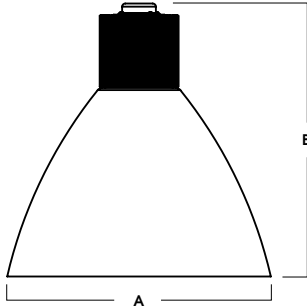
## DAMP LOCATION

### XT SERIES

LUMENS / WATTAGE DATA				
PART NUMBER	SOURCE LUMENS <sup>1</sup>	DELIVERED LUMENS <sup>2</sup>	SYSTEM WATTS	LPW
AP12XT10L	1000	543	8	70
AP12XT13L	1300	730	11	65
AP12XT20L	2000	1112	18	62
AP12XT30L	3000	1697	30	56

<sup>1</sup> Nominal Source Lumens at Any CCT    <sup>2</sup> Nominal Delivered Lumens at Any CCT

## HOUSING DIMENSIONS



A	B
11.7 297.2 mm	12.3 312.4 mm

### APPLICATION

The Icon Pendant series features a classic curved hand spun aluminum for decorative area lighting.

### FEATURES

Speculume series fixtures offer contemporary style with functional luminaire performance. Separate finishes may be chosen for fixture and mounting. Interchangeable LED module for ease of maintenance. Electronic LED Driver in canopy for thermal management. A variety of mounting and finish options available.

### FINISH

Multi-stage polyester powder-coat process applied on our dedicated paint lines. A wide variety of standard and custom finishes are available. Specify inside and outside finish. Matte White interior is standard.

### ELECTRONICS

LED system features Xicato LED module with proprietary phosphor technology that provides consistent stable color with CCT control of +/- 100K over life of the light engine. Base CRI is 83 with 1 x 2-step MacAdam Ellipse binning. High CRI is 98 with 1 x 2-step MacAdam Ellipse binning. Variety of electronic 120V/277V and dimming drivers.

### CONSTRUCTION

Fixtures are spun in our factory from 0.063 high purity aluminum. Passive extruded aluminum heatsink for optimal thermal management. OSD diffusion optic lens standard.

### CODE COMPLIANCE

BAA compliant. ETL certified to meet US and Canadian standards. Suitable for dry or damp locations. Manufactured and tested to UL standards No. 1598/8750.

## CEILING MOUNT

(SEE MOUNTING PAGES FOR MORE OPTIONS & CANOPY DIMENSIONS.)

### HM / AT / PM

HANG STRAIGHT / ALL THREAD / PENDANT



AP12XT SHOWN WITH RDC5PM

### CD

CORD / CABLE MOUNT



AP12XT SHOWN WITH RDC5CD

### CM

CORD MOUNT



AP12XT SHOWN WITH RDC5CM



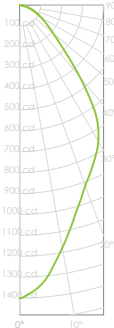


# ICON 12" ALUMINUM PENDANT DAMP LOCATION XT SERIES / PHOTOMETRIC DATA

DECORATIVE

AP12XT 30L 35K XX MWI

CANDLEPOWER CURVE TEST SP-00684_4	INTENSITY CANDELA 0° AZIMUTH	ZONAL LUMENS	SINGLE UNIT: PERFORMANCE INITIAL FOOTCANDLES BASED ON IES BEAM ANGLE				MULTIPLE UNITS: PERFORMANCE 80/50/20% REFLECTANCES INITIAL FOOTCANDLES AND WATTS PER SQUARE FOOT					
			Mounting Height AFF	FC at Center on Floor	Beam Diameter	FC at Beam Edge	Ceiling Height	Fixture Spacing	RCR 3		RCR 5	
	0°	0° - 10° 123 7%	6.5'	33 fc	8.3'	10 fc	12'	6'	38	0.77	22	0.54
	0°	0° - 20° 411 24%	7.5'	25 fc	9.5'	8 fc	15'	8'	19	0.40	15	0.62
	5°	0° - 30° 795 47%	8.5'	19 fc	10.8'	6 fc	18'	10'	12	0.24	15	0.37
	15°	0° - 40° 1,177 69%	10.0'	14 fc	12.7'	4 fc	Delivered Illuminance Rating: (DIR)					
	25°	0° - 60° 1,558 92%	12.0'	10 fc	15.2'	3 fc	49 FC per W/Sq. Ft.		41 FC per W/Sq. Ft.			
	35°	0° - 80° 1,688 99%	14.0'	7 fc	17.8'	2 fc	2' Suspension Length to luminous height midpoint Square rooms used for multiple units: RCR 3: Length & Width = Ceiling Ht. - 5.5' x 3.33 RCR 5: Length & Width = Ceiling Ht. - 5.5' x 2.00 * Average Footcandles at 2.5' Above Floor					
	45°	Downlight 1,697 100%	16.0'	5 fc	20.3'	2 fc						
	55°	Total 1,697 100%	20.0'	4 fc	25.4'	1 fc						
	90°	2										



Delivered Lumens: 1,697  
Luminaire Watts: 30.2  
LER: 56.19

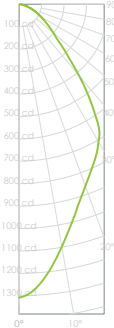
CRI: 80

Beam Angle: 65°  
Spacing Ratio: 0.81

Lumen Multiplier: 10L x 0.32, 13L x 0.43, 20L x 0.67  
CCT Multiplier: Same for all available CCT's

AP12XT 30L 35HK XX MWI

CANDLEPOWER CURVE TEST SP-00684_2	INTENSITY CANDELA 0° AZIMUTH	ZONAL LUMENS	SINGLE UNIT: PERFORMANCE INITIAL FOOTCANDLES BASED ON IES BEAM ANGLE				MULTIPLE UNITS: PERFORMANCE 80/50/20% REFLECTANCES INITIAL FOOTCANDLES AND WATTS PER SQUARE FOOT					
			Mounting Height AFF	FC at Center on Floor	Beam Diameter	FC at Beam Edge	Ceiling Height	Fixture Spacing	RCR 3		RCR 5	
	0°	0° - 10° 115 7%	6.5'	31 fc	8.4'	9 fc	12'	6'	36	0.92	21	0.64
	0°	0° - 20° 389 24%	7.5'	23 fc	9.7'	7 fc	15'	8'	18	0.47	24	0.73
	5°	0° - 30° 751 46%	8.5'	18 fc	11.0'	5 fc	18'	10'	11	0.28	14	0.44
	15°	0° - 40° 1,111 69%	10.0'	13 fc	12.9'	4 fc	Delivered Illuminance Rating: (DIR)					
	25°	0° - 60° 1,473 91%	12.0'	9 fc	15.5'	3 fc	39 FC per W/Sq. Ft.		33 FC per W/Sq. Ft.			
	35°	0° - 80° 1,598 99%	14.0'	7 fc	18.1'	2 fc	2' Suspension Length to luminous height midpoint Square rooms used for multiple units: RCR 3: Length & Width = Ceiling Ht. - 5.5' x 3.33 RCR 5: Length & Width = Ceiling Ht. - 5.5' x 2.00 * Average Footcandles at 2.5' Above Floor					
	45°	Downlight 1,608 99%	16.0'	5 fc	20.7'	2 fc						
	55°	Total 1,617 100%	20.0'	3 fc	25.8'	1 fc						
	90°	2										



Delivered Lumens: 1,617  
Luminaire Watts: 35.9  
LER: 45.04

CRI: 98

Beam Angle: 66°  
Spacing Ratio: 0.82

Lumen Multiplier: 10L x 0.32, 13L x 0.43, 20L x 0.67  
CCT Multiplier: Same for all available CCT's

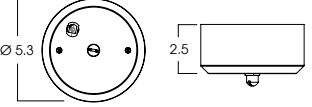
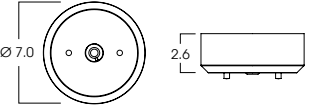
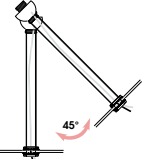
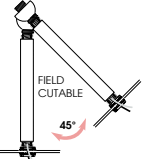
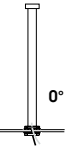
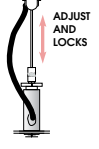



# MOUNTING & ACCESSORIES

SOME OPTIONS NOT AVAILABLE ON ALL FIXTURES. CONSULT SPECIFICATION SHEETS. SEE INDIVIDUAL SPECIFICATION SHEETS OR CONSULT FACTORY FOR ADDITIONAL INFORMATION. NOTE: THIS IS TYPICAL OF SPECLUME SPECIFICATION FOR PENDANT MOUNTING. INDIVIDUAL FIXTURES OR PROJECTS MAY HAVE SPECIALIZED REQUIREMENTS.



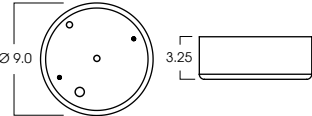
## CEILING MOUNTING

<p><b>RDC5</b> - SMALL DRIVER CANOPY (STANDARD) MOUNTS TO 4" OCTO J-BOX</p>  <p><b>CP13</b> - LARGE DRIVER CANOPY</p> 	<p><b>HM*</b> HANG STRAIGHT 45° SWIVEL 1/2" STEM - 3/8" NPT</p>  <p>ORDER: <b>HM</b> (Length) SPECIFY LENGTH: HM3 - 3" HM24 - 24" HM6 - 6" HM36 - 36" HM12 - 12" HM48 - 48" HM18 - 18" HM72 - 72" <b>HMLC(XX)</b> Custom Length (Specify in Inches)</p>	<p><b>AT**</b> HANG STRAIGHT ALL-THREAD 45° SWIVEL 1/2" STEM - 1/4" IP</p>  <p>ORDER: <b>AT</b> (Length) SPECIFY LENGTH: AT12 - 12" AT24 - 24" AT36 - 36" <small>FIELD CUT: THREADED PIPE TO LENGTH NEEDED. CUT PIPE COVER 3/4" SHORTER THAN THREADED PIPE. SUPPLY PIPE COVER OVER THREADED PIPE.</small></p>	<p><b>PM*</b> RIGID PENDANT MOUNT RIGID 1/2" STEM - 3/8" NPT</p>  <p>ORDER: <b>PM</b> (Length) SPECIFY LENGTH: PM3 - 3" PM24 - 24" PM6 - 6" PM36 - 36" PM12 - 12" PM48 - 48" PM18 - 18" PM72 - 72" <b>PMLC(XX)</b> Custom Length (Specify in Inches)</p>	<p><b>CD</b> CORD / CABLE MOUNT SJ CORD WITH 1/16 SS CABLE</p>  <p>ORDER: <b>CD</b> (Length) SPECIFY LENGTH: CD36 - 36" CD72 - 72" CD144 - 144" <b>CDLC(XX)</b> Custom Length (Specify in Inches)</p>	<p><b>CM</b> CORD MOUNT SJ CORD WITH STRAIN RELIEF</p>  <p>ORDER: <b>CM</b> (Length) SPECIFY LENGTH: CM36 - 36" CM72 - 72" CM144 - 144" <b>CMLC(XX)</b> Custom Length (Specify in Inches)</p>
--	--	--	--	--	--

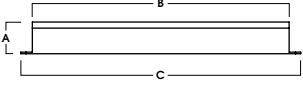
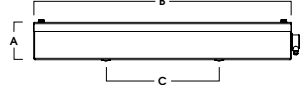
\*MAXIMUM ONE PIECE STEM LENGTH IS 72". \*\*MAXIMUM ONE PIECE STEM LENGTH IS 36". LONGER LENGTHS ARE POSSIBLE USING MULTIPLE STEMS AND COUPLERS. \*\*ORDER IN 12" INCREMENTS. ODD SIZES MAY BE FIELD CUT

## EMERGENCY BATTERY OPTIONS

**EMCR** - LARGE DRIVER CANOPY FOR 10W EMERGENCY BATTERY (FOR ROUND CEILING MOUNT TYPES)



## REMOTE EMERGENCY BATTERY OPTIONS

<p><b>EMRM*</b> - 7W REMOTE EMERGENCY BATTERY (50' MAX)</p>  <table border="1"> <thead> <tr> <th>A</th> <th>B</th> <th>C</th> </tr> </thead> <tbody> <tr> <td>1.3</td> <td>12.6</td> <td>13.0</td> </tr> </tbody> </table>	A	B	C	1.3	12.6	13.0	<p><b>EMEN*</b> - 7W REMOTE EMERGENCY BATTERY WITH ENCLOSURE (50' MAX)</p>  <table border="1"> <thead> <tr> <th>A</th> <th>B</th> <th>C</th> </tr> </thead> <tbody> <tr> <td>2.0</td> <td>17.0</td> <td>6.2</td> </tr> </tbody> </table>	A	B	C	2.0	17.0	6.2
A	B	C											
1.3	12.6	13.0											
A	B	C											
2.0	17.0	6.2											

\*OTHER EM BATTERY SIZES AVAILABLE. CONSULT FACTORY



# COLOR OPTIONS - POWDER COAT PAINT FINISHES

NOTE: NO PRINTED IMAGE CAN EQUAL THE EXACT COLOR OF FINISH ON METAL.  
SEE INDIVIDUAL SPECIFICATION SHEETS OR CONSULT FACTORY FOR ADDITIONAL INFORMATION.



## STANDARD CORD / STEM / CANOPY FINISHES

FIXTURE COLOR	STANDARD CORD COLOR	STANDARD CANOPY / STEM COLOR
Matte White, Textured White	Matte White	Matte White
Gloss White	Matte White	Gloss White
Matte Black, Gloss Black, Textured Black	Matte Black	Matte Black
All Others	Matte Black	Same Color as Fixture
Custom Color	Contact Factory	Contact Factory

## PAINT TIMES

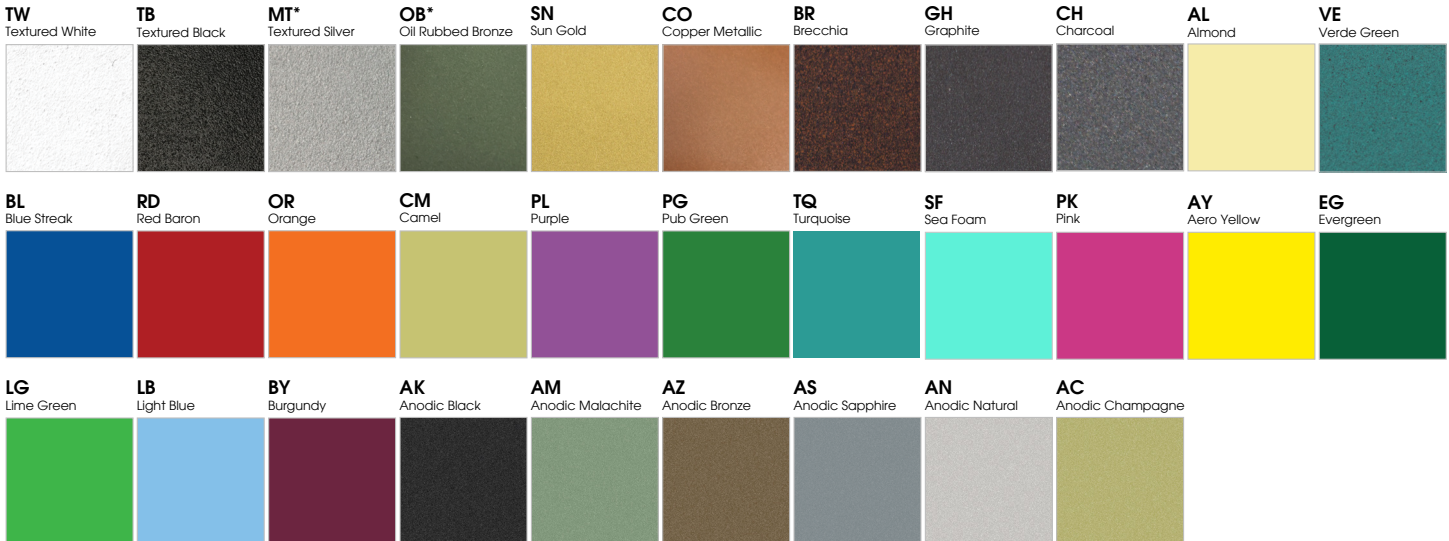
TIER	COST	AVERAGE PAINT TIME*
Tier 1 - Standard Finishes	\$	⌚
Tier 2 - Typical Finishes	\$\$	⌚⌚
Custom Color	Contact Factory	Contact Factory

\*CONTACT FACTORY FOR SPECIFIC PRODUCT LEAD TIMES

## TIER 1 - STANDARD FINISHES



## TIER 2 - TYPICAL FINISHES



## CUSTOM COLOR FINISHES

CONTACT FACTORY

**CC**  
Custom Color



\*UNAVAILABLE FOR WET LOCATION

