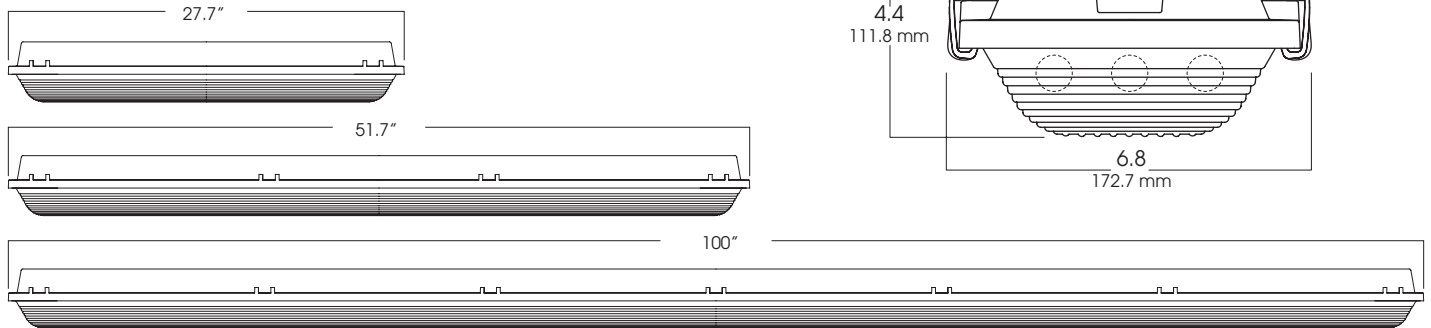


# LINEAR VAPORTIGHT FLUORESCENT

UP TO (3) x 32 WATT T8 LAMPS  
UP TO (3) x 54 WATT T5-HO LAMPS



## PRODUCT INFORMATION:

- Spectrum VT series is a high performance dust/vapor tight lighting tool.
- T8, T5, T5-HO lamping available.
- 5VA rated glass-fiber molded housing body with poured-in-place full perimeter gasket achieves IP67 rating.
- High-impact, UV stabilized DR linear ribbed acrylic diffusers are standard. Polycarbonate lenses are available.
- "Hands-Free" tethered gear tray allows ease of installation and wiring.
- High-Performance mirror reflector available.
- Surface or Pendant (1/4-20 all-thread) mounting available.
- NSF Rated.
- Manufactured and tested to UL standard No. 1589.

SERIES	WATTS	BALLAST	OPTIONS	MOUNTING
VT2	(1,2 or 3) <b>17w T8</b> (1,2 or 3) <b>14w T5</b> (1,2 or 3) <b>21w T5-HO</b>	<b>EX</b> -Electronic 120v-277v Normal Power Factor (standard)	<b>EM</b> -Emergency battery pack 1-420 (specify voltage) <b>FS</b> -Fuse holder and fuse <b>REF</b> -Internal Performance Reflector <b>SD</b> -Step Dimming (2 Circuit) <b>POLY</b> -Polycarbonate Lens <b>OC</b> -Occupancy Sensor	<b>SM</b> -Surface Mount <b>VH</b> -Stainless Steel V-Hook Hangers <b>NM2</b> -1/2" Die Cast Hub <b>NM3</b> -3/4" Die Cast Hub <b>H</b> -Hook <b>HC</b> -Hook/Cord 6' SJ3 <b>HCP</b> -Hook/Cord/Plug (specify 120v/277v)
VT4	(1,2 or 3) <b>32w T8</b> (1,2 or 3) <b>28w T5</b> (1,2 or 3) <b>54w T5-HO</b>			
VT8	(2, 4 or 6) <b>32w T8</b> (2, 4 or 6) <b>28w T5</b> (2, 4 or 6) <b>54w T5-HO</b> <b>**Tandem**</b>			
<b>VT4</b>	<b>232T8</b>	<b>EX</b>	<b>REF</b>	<b>VH</b>

Dimensions shown are nominal. Spectrum Lighting is continually improving products and reserves the right to make changes that will not alter performance or appearance with or without written notice.



<b>PROJECT:</b>	<b>TYPE:</b>
<b>CAT. NO.:</b>	

