

# TRIMLESS 4" DOWNLIGHT PZ PLASTER CEILING TRIMLESS 65 WATT MAX MR-16 LAMP



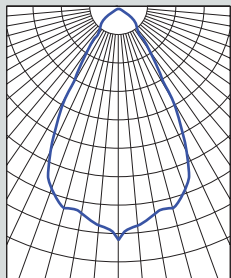
## FEATURES & SPECIFICATIONS:

- Series features a deep trim for good cutoff, with a variety of lens /accessory options.
- PZ series for trimless installation in plaster ceilings. (consult factory for wood or other ceiling type)
- Intended for Non-IC new construction.  
For IC applications, refer to page 1-400.
- Frame constructed of 20 ga. aluminum.
- Supplied with 27" long, heavy ga. galvanized steel bar hangers.
- Electronic transformer is standard.
- For options detail, see page numbers listed below.
- UL Listed for Damp Locations.
- Manufactured and tested to UL standard No. 1598.

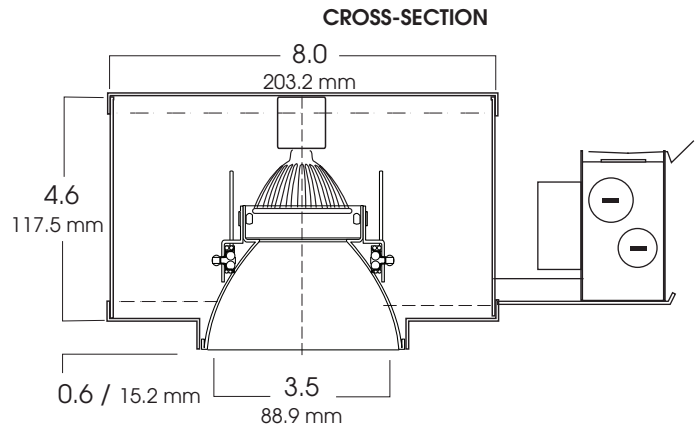
Max Ceiling Thickness: 1.5 (38.1 mm)  
Ceiling Cutout: 4.6 Ø (116.8 mm Ø)  
Fixture Weight: 4.0 lbs

DISTANCE FROM CEILING		DIAMETER OF CIRCLE
5.5	29	6.0
7.5	16	9.0
9.5	10	11.0
11.5	7	13.0
13.5	5	16.0

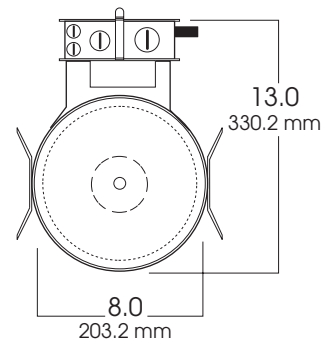
CONE OF LIGHT



DG4PZ37w- Efficiency: 80.0%  
Spacing: 1.00



TOP VIEW



SERIES	TRANSFORMER	OPTIONS	TRIMLESS	TRIM/FINISH	TRIM OPTIONS	FIXTURE LAMPING				
<b>SGDG4PZ-</b> Spectrum Gold 4" Vertical with No Flange	<b>E1</b> -Electronic, 120v <b>E2</b> -Electronic, 277v <b>MGN-1</b> -Magnetic Transformer 120v <b>MGN-2</b> -Magnetic Transformer 277v	<b>BH6</b> -Expandable Bar Hangers, 6" - 12" <b>BH12</b> -Expandable Bar Hangers, 12" - 24" <b>CB24</b> -C-Channel bars 1-470 <b>CCEA</b> -Chicago Ceiling Plenum CCEA 1-480 <b>CR</b> -Corrosion Resistant 1-460 <b>FS</b> -Fuse holder and fuse <b>IC</b> -Insulation Contact 1-400 <b>MWL(**)</b> -Maximum Wattage dedicated transformer and label (20w, 37w, 50w) <b>PR</b> -Plaster Ring 1-430 <b>RM</b> -Remodeler Housing 1-450 <b>TBC</b> -T-bar clips 1-475 <b>TR</b> -Top Relamping Option  * For available Louvers / Lenses see Page 1-410	<b>PZ4</b> -Trimless 4" Round	<b>NF4250-MW</b> -Matte White	<b>GL</b> -Clear Glass lens (standard) <b>GS</b> -Gasket <b>SO</b> -Micro Prism Solite™ lens <b>PG</b> -Prismatic (T73) lens <b>WL</b> -Wet Location	<table border="1"> <thead> <tr> <th>LAMP</th> <th>MAX. WATTAGE</th> </tr> </thead> <tbody> <tr> <td>MR-16</td> <td>65w</td> </tr> </tbody> </table> <p>* For 75w lamp, use Philips or Ushio-America or consult factory</p> <p>*For Available Decorative Architectural Trims, see page 1-490</p>	LAMP	MAX. WATTAGE	MR-16	65w
LAMP	MAX. WATTAGE									
MR-16	65w									
<b>SGDG4PZ</b>	<b>E1</b>	<b>MWL50</b>	<b>PZ4</b>	<b>NF4250 MW</b>	<b>GS</b>					

Dimensions shown are nominal. Spectrum Lighting is continually improving products and reserves the right to make changes that will not alter performance or appearance with or without written notice.



PROJECT:	TYPE:
CAT. NO.:	





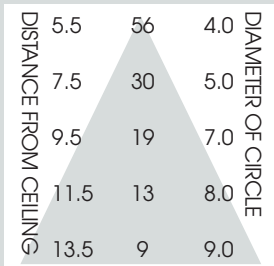
# 4" TRIMLESS WALL WASH PZ PLASTER CEILING TRIMLESS 65 WATT MAX MR-16 LAMP



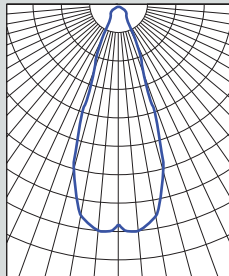
## FEATURES & SPECIFICATIONS:

- Series features up to 45° of vertical adjustment with 359° of axial rotation.
- PZ series for trimless installation in plaster ceilings. (consult factory for wood or other ceiling type)
- Intended for Non-IC new construction.  
For IC applications, refer to page 1-400.
- Frame constructed of 20 ga. aluminum.
- Supplied with 27" long, heavy ga. galvanized steel bar hangers.
- Electronic transformer is standard.
- UL Listed for Damp Locations.
- For options detail, see page numbers listed below.

Max Ceiling Thickness: 1.5 (38.1 mm)  
 Ceiling Cutout: 4.6 Ø (116.8 mm Ø)  
 Fixture Weight: 4.0 lbs

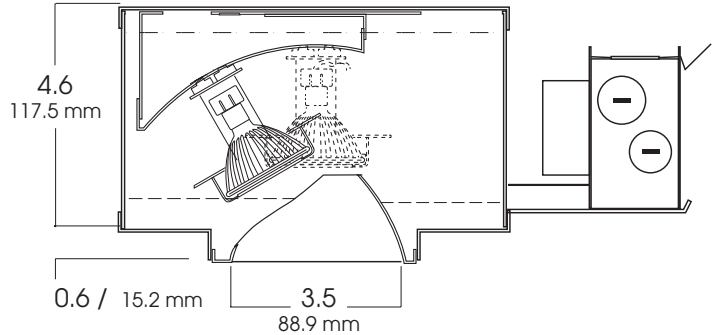


CONE OF LIGHT

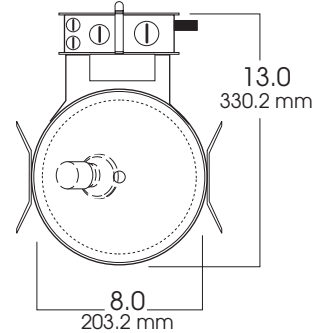


AG4PZ37w- Efficiency: 80.0%  
Spacing: 0.66

CROSS-SECTION



TOP VIEW



SERIES	TRANSFORMER	OPTIONS	TRIMLESS TRIM/FINISH	TRIM OPTIONS	FIXTURE LAMPING
<b>SGAG4PZ-</b> Spectrum Gold 4" Vertical Adjustable	<b>E1</b> -Electronic, 120v <b>E2</b> -Electronic, 277v <b>MGN-1</b> -Magnetic Transformer 120v <b>MGN-2</b> -Magnetic Transformer 277v	<b>BH6</b> -Expandable Bar Hangers, 6" - 12" <b>BH12</b> -Expandable Bar Hangers, 12" - 24" <b>CB24</b> -C-Channel bars 1-470 <b>CCEA</b> -Chicago Ceiling Plenum CCEA 1-480 <b>CR</b> -Corrosion Resistant 1-460 <b>FS</b> -Fuse holder and fuse <b>IC</b> -Insulation Contact 1-400 <b>MWL(**)</b> -Maximum Wattage dedicated transformer and label (20w, 37w, 50w) <b>PR</b> -Plaster Ring 1-430 <b>RM</b> -Remodeler Housing 1-450 <b>TBC</b> -T-bar clips 1-475 <b>TR</b> -Top Relamping Option  * For available Louvers / Lenses see Page 1-410	<b>PZ4</b> -Trimless 4" Round	<b>NF4200-MW</b> -Matte White <b>SG</b> -Semi-Diffuse Low Iridescent <b>CL</b> -Clear Bright Alzak <b>GO</b> -Gold Alzak <b>HZ</b> -Matte Low Iridescent <b>PW</b> -Pewter Alzak <b>UM</b> -Umber Alzak <b>WE</b> -Wheat Alzak <b>BL</b> -Black Finish <b>WH</b> -White Finish <b>PF</b> -Polished Flange	<b>GL</b> -Clear Glass lens (standard) <b>GS</b> -Gasket <b>SO</b> -Micro Prism Solite™ lens <b>PG</b> -Prismatic (173) lens <b>WL</b> -Wet Location
<b>SGAG4PZ</b>	<b>E1</b>	<b>MWL50</b>	<b>PZ4</b>	<b>NF4250 MW</b>	<b>GS</b>

LAMP	MAX. WATTAGE
MR-16	65w

\* For 75w lamp, use Philips or Ushio-America or consult factory

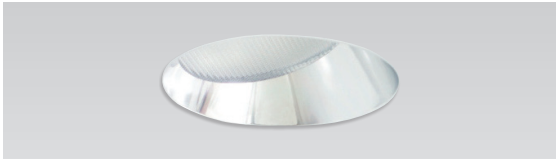
\*For Available Decorative Architectural Trims, see page 1-490

Dimensions shown are nominal. Spectrum Lighting is continually improving products and reserves the right to make changes that will not alter performance or appearance with or without written notice.



PROJECT:	TYPE:
CAT. NO.:	





**4" TRIMLESS WALL WASH  
PZ PLASTER CEILING TRIMLESS  
65 WATT MAX MR-16 LAMP**



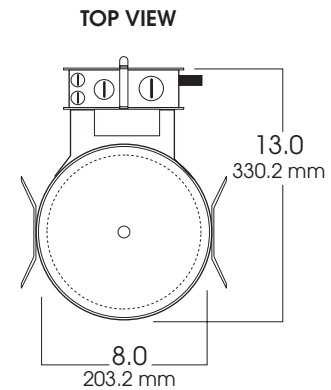
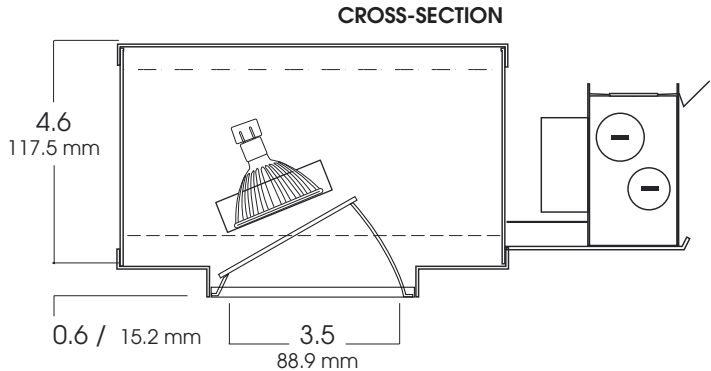
**FEATURES & SPECIFICATIONS:**

- Small aperture series with medium cutoff and even wall wash.
- PZ series for trimless installation in plaster ceilings. (consult factory for wood or other ceiling type)
- Intended for Non-IC new construction.  
For IC applications, refer to page 1-400.
- Frame constructed of 20 ga. aluminum.
- Supplied with 27" long, heavy ga. galvanized steel bar hangers.
- Electronic transformer is standard.
- For options detail, see page numbers listed below.
- UL Listed for Damp Locations.
- Manufactured and tested to UL standard No. 1598.

Max Ceiling Thickness: 1.5 (38.1 mm)  
Ceiling Cutout: 4.6 Ø (116.8 mm Ø)  
Fixture Weight: 4.0 lbs

DISTANCE FROM CEILING	3 FEET ON CENTER		
	FIXTURE 1		FIXTURE 2
1.0	4	3	4
3.0	61	49	61
5.0	24	25	24
7.0	5	6	5
9.0	2	2	2

**WALL ILLUMINATION:** 3 FEET FROM WALL



SERIES	TRANSFORMER	OPTIONS	TRIMLESS TRIM/FINISH	TRIM OPTIONS	FIXTURE LAMPING				
<b>SGLG4PZ-</b> Spectrum Gold 4" Spread Lensed Wall Wash with No Flange	<b>E1</b> -Electronic, 120v <b>E2</b> -Electronic, 277v <b>MGN-1</b> -Magnetic Transformer 120v <b>MGN-2</b> -Magnetic Transformer 277v	<b>BH6</b> -Expandable Bar Hangers, 6" - 12" <b>BH12</b> -Expandable Bar Hangers, 12" - 24" <b>CB24</b> -C-Channel bars 1-470 <b>CCEA</b> -Chicago Ceiling Plenum CCEA 1-480 <b>CR</b> -Corrosion Resistant 1-460 <b>FS</b> -Fuse holder and fuse <b>IC</b> -Insulation Contact 1-400 <b>MWL(**)</b> -Maximum Wattage dedicated transformer and label (20w, 37w, 50w) <b>PR</b> -Plaster Ring 1-430 <b>RM</b> -Remodeler Housing 1-450 <b>TBC</b> -T-bar clips 1-475 <b>TR</b> -Top Relamping Option  * For available Louvers / Lenses see Page 1-410	<b>PZ4</b> -Trimless 4" Round	<b>NF4200</b> -Matte White <b>SLWW-MW</b> <b>SG</b> -Semi- Diffuse Low Iridescent <b>CL</b> -Clear Bright Alzak <b>GO</b> -Gold Alzak <b>HZ</b> -Matte Low Iridescent <b>PW</b> -Pewter Alzak <b>UM</b> -Umber Alzak <b>WE</b> -Wheat Alzak <b>BL</b> -Black Finish <b>WH</b> -White Finish <b>PF</b> -Polished Flange	<b>GL</b> -Clear Glass lens (standard) <b>GS</b> -Gasket <b>SO</b> -Micro Prism Solite™ lens <b>PG</b> -Prismatic (T73) lens <b>WL</b> -Wet Location				
<b>SGLG4PZ</b>	<b>E1</b>	<b>MWL50</b>	<b>PZ4</b>	<b>GS</b>	<table border="1"> <thead> <tr> <th>LAMP</th> <th>MAX. WATTAGE</th> </tr> </thead> <tbody> <tr> <td>MR-16</td> <td>65w</td> </tr> </tbody> </table> <p>* For 75w lamp, use Philips or Ushio-America or consult factory</p> <p>*For Available Decorative Architectural Trims, see page 1-490</p>	LAMP	MAX. WATTAGE	MR-16	65w
LAMP	MAX. WATTAGE								
MR-16	65w								

Dimensions shown are nominal. Spectrum Lighting is continually improving products and reserves the right to make changes that will not alter performance or appearance with or without written notice.



<b>PROJECT:</b>	<b>TYPE:</b>
<b>CAT. NO.:</b>	

994 Jefferson Street, Fall River, MA 02721 508.678.2303 FAX 508.678.2260

