

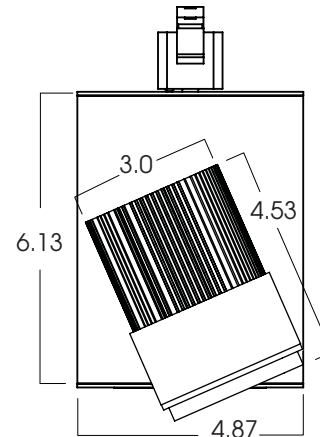


**INFINIUM™ LED
MODULAR LED**
DIMMING 30 WATT MAX



PRODUCT INFORMATION:

- Spectrac STX4 high output dimmable LED track light.
- 2 Wire 120v dimming driver optional.
- Machined aluminum construction.
- Single high powered LED produces point source quality and luminaire focus.
- 50,000 hours rated LED systems life means low maintenance.
- 2700°, 3100°, 3500°, 4100° or 5100° Kelvin.
- Narrow, medium or wide beam distribution
- Optics are field interchangeable.
- All LED modules are replaceable and upgradable.
- Manufactured and tested to UL Standard No. 8750.



GES66/TEK100
adaptors for use with
GET/TEK/XTS TRACK

KELVIN°	WATTAGE	LUMENS
27K°	30W	1280
31K°	30W	1400
35K°	30W	1520
41K°	30W	1650
51K°	30W	1900

MODEL	LED	KELVIN	BEAM	DRIVER	ADAPTOR	FINISH	ACCESSORIES*
STX4LED- Spectrum Lighting Infinium™ Dimmable LED Track Light	20W 30W	27K -2700° K 31K -3100° K 35K -3500° K 41K -4100° K 51K -5100° K	ND (12°) MD (22°) WD (38°)	E1 -Electronic,120V E2 -Electronic,277V DLTE1 -Lutron Hi-Lume™ 120v (dimming level 1%) *120v ONLY for 2 Wire Dimming Dimming; See Page 1-444	GES66 -Works with GET Track TEK100 -Works with TEK Track GA100 -Works with XTS Track GES70 -Monopoint Canopy PC1 -Pipe Clamp	MT -Mini Textured Silver MB -Matte Black MW -Matte White CC -Custom Color *See SPECTRUM color chart for a full list of colors (MT/MB)-with black adaptor & cord MW -with white adaptor & cord)	FG -Frosted Face Lens LN34 -Lens (see lens pages) SN34 -Snoot HL34 -Hex Louver *Accessory finish will match fixture.
STX4LED	30W	31K	MD	DL1(2WIRE)	TEK100	MT	SN34

Dimensions shown are nominal. Spectrum Lighting is continually improving products and reserves the right to make changes that will not alter performance or appearance with or without written notice.



PROJECT:	TYPE:
CAT. NO.:	

