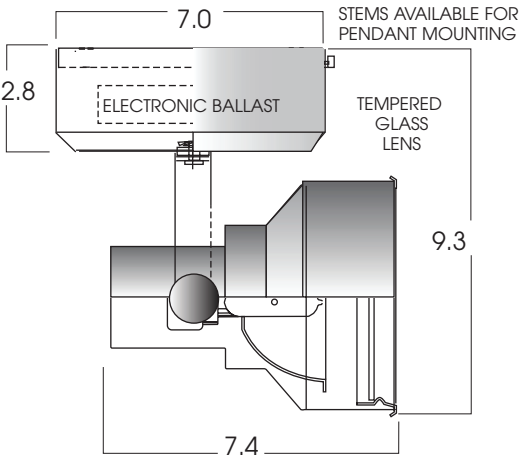


**SPEC TRAK SERIES
MH SURFACE MOUNT**
100 WATT MAXIMUM



PRODUCT INFORMATION:

- Spectrum Lighting *SpecTrak* Metal Halide track series features the latest in lamp / ballast / reflector technology.
- Unique low profile ballast housing mounts directly to J-Box.
- Fixture tilts, locks and rotates for precision aiming.
- Designed for T4, T6, ED17 and PAR30 / PAR38 lamps.
- Electronic ballast mounted in spun aluminum canopy.
- Manufactured and tested to UL Standard No. 1598.



MODEL	WATTS	BALLAST	LAMPS	REFLECTOR	OPTIONS	FINISH	ACCESSORIES*
STTMH- Spec Trak Metal Halide Lamp Series, Surface Mounted	39 50 70 100	E1 -Electronic, 120v E2 -Electronic, 277v	T4 T6 ED17 PAR30 PAR38	ND -Narrow MD -Medium WD -Wide	SW -On/Off Switch TL -Top Rotation Lock SM/CP13 -Surface Mount/Spun Aluminum Ballast Housing PM*/CP13 -Pendant Mount/Spun Aluminum Ballast Housing (specify length in 12" increments)	MT -Mini Textured Silver MB -Matte Black MW -Matte White CC -Custom Color *See SPECTRUM color chart for a full list of colors (MT/MB-with black adaptor & cord MW-with white adaptor & cord)	LN -Lens Holder (see lens page) HL -Hex Louver *Accessories finish will match fixture
STTMH	70	E1	T4	ND	SM/CP13	MT	LN

Dimensions shown are nominal. Spectrum Lighting is continually improving products and reserves the right to make changes that will not alter performance or appearance with or without written notice.



PROJECT:	TYPE:
CAT. NO.:	

