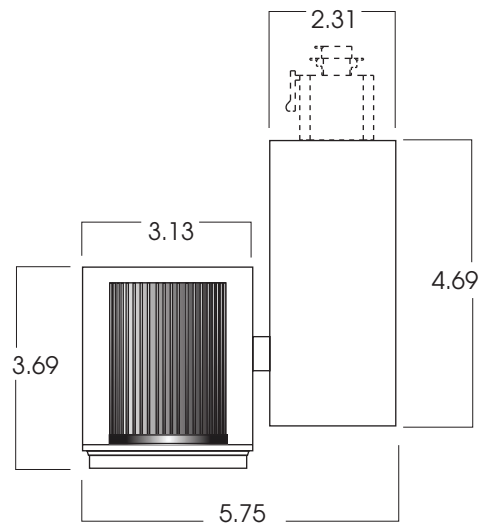


**INFINIUM™ PULSE TECH
TRACK CYLINDER**
14 WATT MAXIMUM



PRODUCT INFORMATION:

- Infinium™ Pulse Tech features integral air-cooling technology.
- Single high powered LED produces point source quality and luminaire focus.
- 50,000 hours rated lamp life means low maintenance.
- High flux density 14w LED.
- All LED modules are replaceable and upgradable.
- Equivalent to 50w MR16, 20w Metal Halide, and 75w incandescent lamps.
- Manufactured and tested to UL Standard No. 8750.



TEK100/HTEK100
adaptors for use with
GET/TEK/HTEK/XTS TRACK

KELVIN°	WATTAGE	LUMENS
27K°	14W	350
31K°	14W	375
35K°	14W	400
41K°	14W	480
55K°	14W	560

MODEL	LED	KELVIN	BEAM	DRIVER	ADAPTOR	FINISH	ACCESSORIES*
SRTTLED- Spectrum Lighting Infinium™ Pulse Tech Mini Ballast LED	14w	27K -2700° K 29K -2900° K 31K -3100° K 41K -4100° K 55K -5500° K	ND (12°) MD (22°) WD (38°)	E1 -Electronic 120v E2 -Electronic 277v Dimming Not Available	GES66 -Works with GET Track TEK100 -Works with TEK Track HTEK100 -Works with HTEK Track GA100 -Works with XTS Track GES70 -Monopoint Canopy PC1 -Pipe Clamp	MT -Mini Textured Silver MB -Matte Black MW -Matte White CC -Custom Color *See SPECTRUM color chart for a full list of colors (MT/MB -with black adaptor & cord MW -with white adaptor & cord)	FG -Frosted Face Lens LN20 -Lens (see lens pages) SN20 -Snoot HL20 -Hex Louver *Accessory finish will match fixture.
SRTTLED	14W	31K	MD	E1	TEK100	MT	HL20

Dimensions shown are nominal. Spectrum Lighting is continually improving products and reserves the right to make changes that will not alter performance or appearance with or without written notice.



PROJECT:	TYPE:
CAT. NO.:	

