

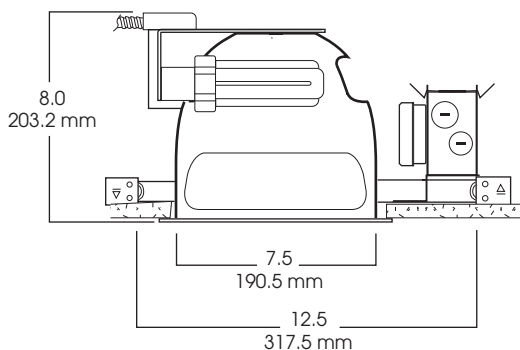


8" HORIZONTAL FLUORESCENT OPEN WALL WASH 2 x 42 WATT MAX

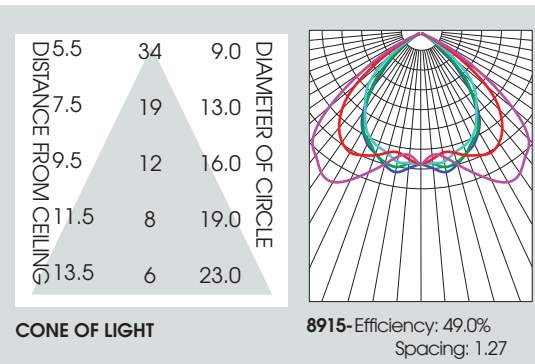
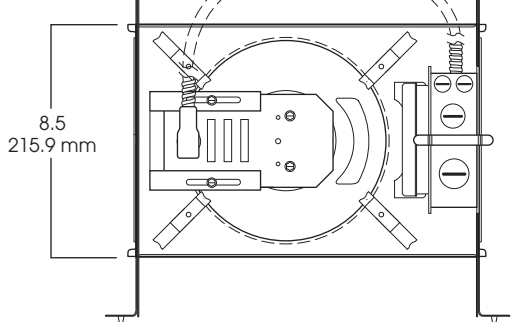
W8HF
SPECTRUM
SILVER SERIES™

- 8" horizontal lamp compact fluorescent.
- 20 gauge galvanized steel frame.
- 12" bar hangers expandable to 24" standard.
- .0625 spun aluminum reflector.
- Junction box pre-wired, grounded.
- Electronic ballast 120/277V standard.
- Ballast serviceable from the ceiling aperture.
- Suitable for use in damp location.
- UL listed to standard no. 1598.

SIDE VIEW



TOP VIEW

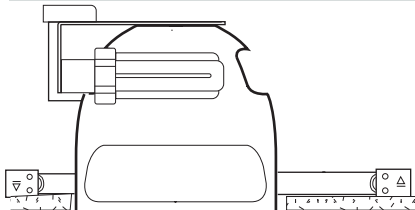


1. SPECIFY FRAME

FRAME	WATTS	BALLAST	OPTIONS
SPW8HF	2 LAMP QUAD	EX -Electronic 120/277 (standard)	EM -Emergency battery pack (specify voltage)
Spectrum	13		FS -Fuse holder and fuse
Silver 8"	18	DA1 -Advance Mark10™ dimming, 120v	PR -Plaster ring (pg 1-430)
Horizontal	26	DA2 -Advance Mark 10™ powerline dimming, 277v	RM -Remodler housing
	1/2 LAMP TT	DM7 -Advance MK7 Dimming 120/277	BH27 -27" mounting bar
	13	DL1 -Lutron Compact SET™ 120v (min. dimming level 5%) ¹	TBC -T-bar clip
	18	DL2 -Lutron Compact SET™ 277v (min. dimming level 5%) ¹	
	26		
	32		
	42		
SPW8HF	126	EX	

2. SPECIFY TRIM

8" OPEN WALL WASH



TRIM #	FINISH	OPTIONS
8905	SG -Soft Glow	PF -Polished
2 LAMPS	CL -Clear Alzak	Flange
13W-26W	GO -Gold Alzak	BF -Black
(QUAD ONLY)	HZ -Haze	Flange
8915	PW -Pewter	BB -Black
1 LAMP	UM -Umber Alzak	Micro
13W-42W	WE -Wheat Alzak	Baffle
TT	BL -Black Finish	WB -White
8925	WH -White Finish	Micro
2 LAMP		Baffle
13W-42W		GS -Gasket
TT		
8905 SG		GS

3. FINISHED ORDER:

SPW8HF132EX/8915 SG

Dimensions shown are nominal. Spectrum Lighting is continually improving products and reserves the right to make changes that will not alter performance or appearance with or without written notice.



PROJECT:

TYPE:

CAT. NO.:

