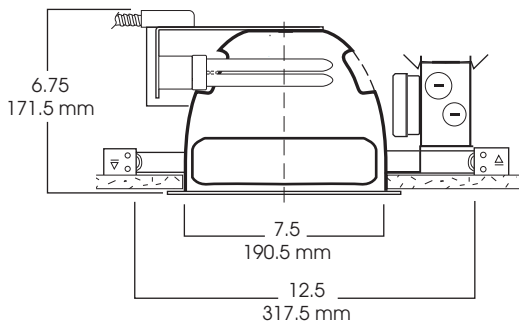


8" HORIZONTAL FLUORESCENT WALL WASH/MEDIUM DEPTH 2 x 42 WATT MAX

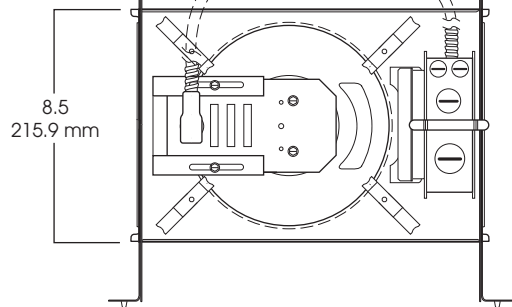
W8HF
SPECTRUM
SILVER SERIES™

- 8" Medium Depth horizontal lamp compact fluorescent.
- 20 gauge galvanized steel frame.
- 12" bar hangers expandable to 24" standard.
- .0625 spun aluminum reflector.
- Junction box pre-wired, grounded.
- Electronic ballast 120/277V standard.
- Ballast serviceable from the ceiling aperture.
- Suitable for use in damp location.
- UL listed to standard no. 1598.

SIDE VIEW

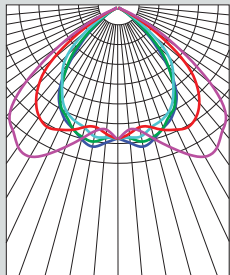


TOP VIEW



DISTANCE FROM CEILING		DIAMETER OF CIRCLE
5.5	34	9.0
7.5	19	13.0
9.5	12	16.0
11.5	8	19.0
13.5	6	23.0

CONE OF LIGHT



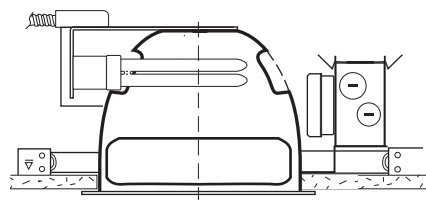
W8H232w-Efficiency: 49.0%
Spacing: 1.27

1. SPECIFY FRAME

FRAME	WATTS	BALLAST	OPTIONS
SPW8HF	2 LAMP QUAD	EX -Electronic 120/277 (standard)	EM -Emergency battery pack (specify voltage)
Spectrum Silver 8"	13	DA1 -Advance Mark10™ dimming, 120v	FS -Fuse holder and fuse
Horizontal	18	DA2 -Advance Mark 10™ powerline dimming, 277v	PR -Plaster ring (pg 1-430)
	1/2 LAMP TT	DM7 -Advance MK7 Dimming 120/277	RM -Remodler housing
	13TT	DL1 -Lutron Compact SE™ 120v (min. dimming level 5%) ¹	BH27 -27" mounting bar
	18TT	DL2 -Lutron Compact SE™ 277v (min. dimming level 5%) ¹	TBC -T-bar clip
	26TT		
	32TT		
	42TT		
SPW8HF	142	EX	EM/

2. SPECIFY TRIM

OPEN WALL WASH



TRIM #	FINISH	OPTIONS
8490	SG -Soft Glow	PF -Polished
2 LAMPS	CL -Clear Alzak	Flange
13W-26W	GO -Gold Alzak	BF -Black
(QUAD ONLY)		Flange
8495	HZ -Haze	GS -Gasket
1 LAMP	PW -Pewter	
13W-42W	UM -Umber Alzak	
TT	WE -Wheat Alzak	
8498	BL -Black Finish	
2 LAMP	WH -White Finish	
13W-42W		
TT		
8495 SG		GS

3. FINISHED ORDER:

SPW8HF142EX/8495 SG

Dimensions shown are nominal. Spectrum Lighting is continually improving products and reserves the right to make changes that will not alter performance or appearance with or without written notice.



PROJECT:

TYPE:

CAT. NO.:

