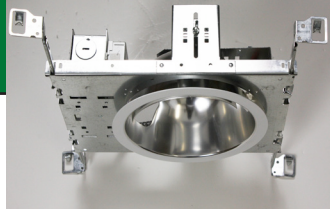
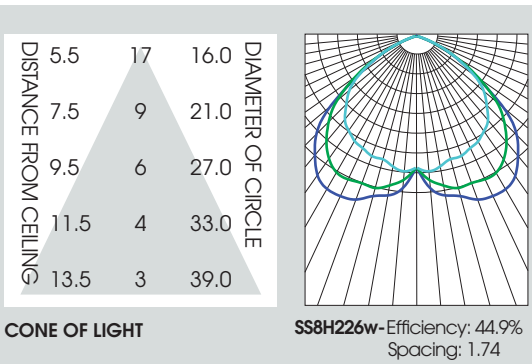
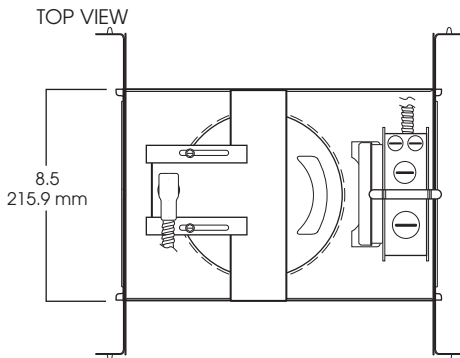
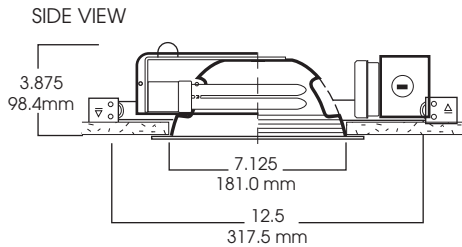


8" HORIZONTAL FLUORESCENT SUPER SHALLOW 1 x 42 WATT MAX

SS8HF SPECTRUM SILVER SERIES™



- 8" Super shallow horizontal lamp compact fluorescent.
- Available open and lensed.
- 20 gauge galvanized steel frame.
- 12" bar hangers expandable to 24" standard.
- .0625 spun aluminum reflector.
- Junction box pre-wired, grounded.
- Electronic ballast 120/277V standard.
- Ballast serviceable from the ceiling aperture.
- Suitable for use in damp location. Lensed fixture has Wet Location option.
- UL listed to standard no. 1598.



1. SPECIFY FRAME

FRAME	WATTS	BALLAST	OPTIONS
SPSS8HF	2 LAMPS	EX -Electronic 120/277 (standard).	EM -Emergency battery pack 1-420
Spectrum	13	DA1 -Advance Mark10™ dimming, 120v	FS -Fuse holder and fuse
Silver 8"	18	DA2 -Advance Mark 10™ powerline dimming, 277v	EM -Emergency (Specify voltage)
Horizontal	1 LAMP	DM7 -Advance MK7 Dimming 120/277	EMIT -Emergency w/ integral test switch(SV)
	13	DL1 -Lutron Compact SE™ 120v (min. dimming level 5%) ¹	BH27 -27" mounting bars
	18	DL2 -Lutron Compact SE™ 277v (min. dimming level 5%) ¹	PR -Plaster ring (see available depths)
	26		
	32		
	42		
SPSS8HF	126	EX	

2. SPECIFY TRIM

OPEN			LENSED		
TRIM #	FINISH	OPTIONS	TRIM #	FINISH	OPTIONS
8010	SG -Soft Glow	PF -Polished Flange	8020	WS -White / White flange (standard)	PG -Prismatic Glass lens (standard)
2 QUAD	CL -Clear Alzak	BF -Black Flange	2 QUAD (QUAD)	SGS -Soft Glow/ White flange	FG -Frosted Glass
8015	HZ -Haze	BB -Black Micro Baffle	8025	RB -Regressed Black baffle	
1TT	PW -Pewter	WB -White Micro Baffle	1TT	RW -Regressed White baffle	
	UM -Umber Alzak	GS -Gasket		PF -Polished Flange	
	WE -Wheat Alzak			BF -Black Flange	
	BL -Black Finish				
	WH -White Finish				
	PF -Polished Flange				
	BF -Black Flange				
8010 SG		GS	8020 SGS		PG

3. FINISHED ORDER:

SPSS8HF126EX/8015 SG

Dimensions shown are nominal. Spectrum Lighting is continually improving products and reserves the right to make changes that will not alter performance or appearance with or without written notice.



PROJECT:	TYPE:
CAT. NO.:	

