



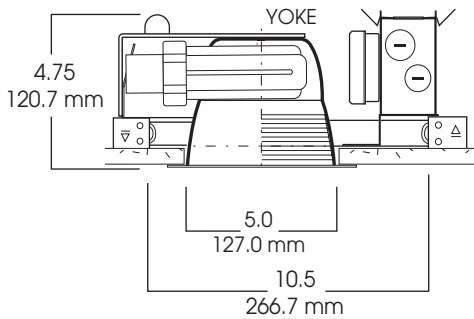
5" HORIZONTAL FLUORESCENT SHALLOW OPEN REFLECTOR

1 x 26 WATT MAX

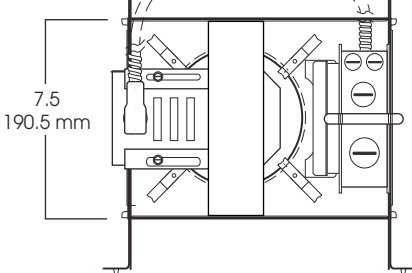
S5HF
SPECTRUM
SILVER SERIES™

- 5" shallow horizontal lamp compact fluorescent.
- Available open.
- 20 gauge galvanized steel frame.
- 12" bar hangers expandable to 24" standard.
- .0625 spun aluminum reflector.
- Junction box pre-wired, grounded.
- Electronic ballast 120/277V standard.
- Ballast serviceable from the ceiling aperture.
- Suitable for use in damp location.
- UL listed to standard no.1598.

SIDE VIEW

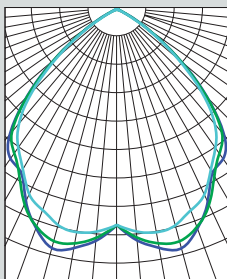


TOP VIEW



DISTANCE FROM CEILING		DIAMETER OF CIRCLE
5.5	8	11.0
7.5	4	15.0
9.5	3	19.0
11.5	2	23.0
13.5	1	27.0

CONE OF LIGHT



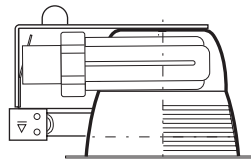
5410SG-Efficiency: 55.5%
Spacing: 1.32

1. SPECIFY FRAME

FRAME	WATTS	BALLAST	OPTIONS
SPS5HF Spectrum Silver 5" Horizontal	13T 18T 26T	EX -Electronic 120/277 (standard) DA1 -Advance Mark10™ dimming, 120v DA2 -Advance Mark 10™ powerline dimming, 277v DM7 -Advance MK7 Dimming 120/277 DL1 -Lutron Compact SE™ 120v (min. dimming level 5%) ¹ DL2 -Lutron Compact SE™ 277v (min. dimming level 5%) ¹	EM -Emergency battery pack (specify voltage) FS -Fuse holder and fuse PR -Plaster ring (pg 1-430) RM -Remodler housing BH27 -27" mounting bar TBC -T-bar clip
	* Triple Tube Only		
SPS5HF	126	EX	EM(277)/

2. SPECIFY TRIM

OPEN



TRIM #	FINISH	OPTIONS
5410 Open Shallow	SG -Soft Glow CL -Clear Alzak GO -Gold Alzak HZ -Haze PW -Pewter UM -Umber Alzak WE -Wheat Alzak BL -Black Finish WH -White Finish	PF -Polished Flange BF -Black Flange BB -Black Micro Baffle WB -White Micro Baffle GS -Gasket

5410 SG

PF

3. FINISHED ORDER:

SPS5HF126EX/5410 SG

Dimensions shown are nominal. Spectrum Lighting is continually improving products and reserves the right to make changes that will not alter performance or appearance with or without written notice.



PROJECT:

TYPE:

CAT. NO.:

